

DRAWING NUMBER: HG02-069-05

CABLE CUTTING  
CABLE SOURCE :  
1. BAO HING(SHENZHEN),  
2. TONG YUAN(SHENZHEN).

REV. ECN REF. NO. DESCRIPTION

1 HG02-069-05 INITIAL RELEASE 17/02/05

FOR ENQUIRY ONLY  
NOT FOR MASS PRODUCTION

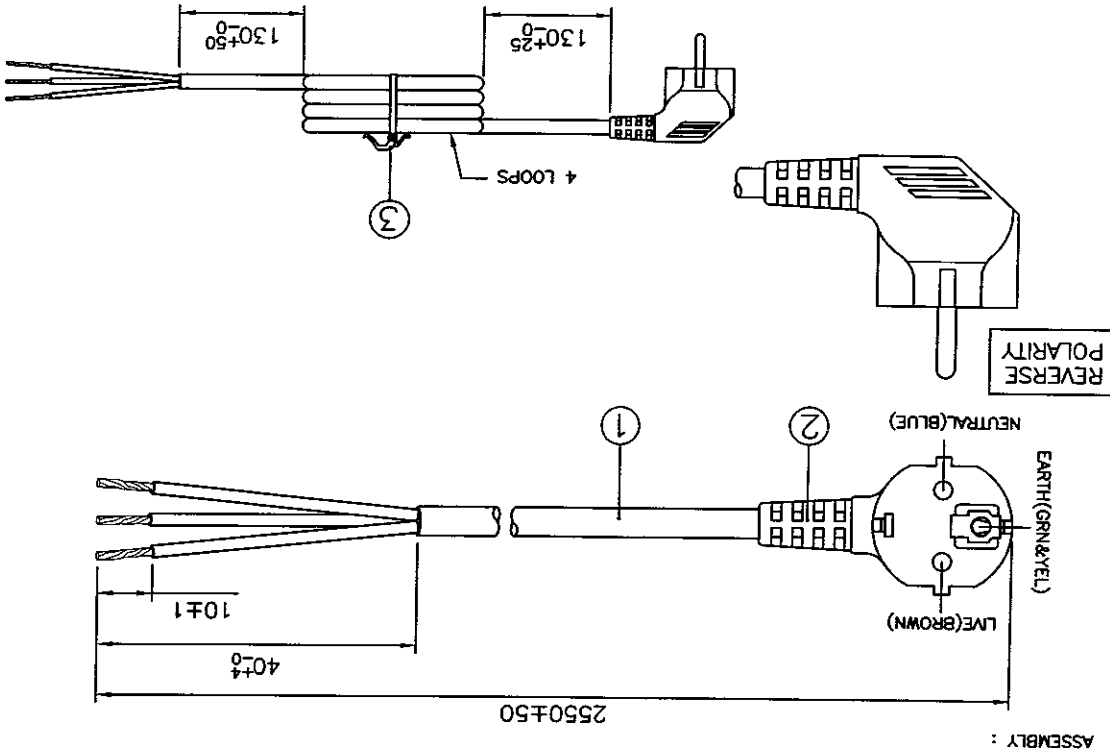
APPROVAL BY : \_\_\_\_\_

DATE : \_\_\_\_\_

| S/N | DESCRIPTION                     | ITEM NUMBER | QTY |
|-----|---------------------------------|-------------|-----|
| 3   | 6" PE TIE WHT                   | 6310055     | 1   |
| 2   | IP60G NL7976B BLK               | 4100115     | -   |
| 2   | MOLDED PLUG M2511A (16A 250V)   | M2511A      | 1   |
| 1   | H05W-F 3X1.00 BLK PVC LEAD FREE | 1210365     | -   |

TITLE : EUROPEAN POWER SUPPLY CORD (ROHS FR) PAGE : 1/1  
 CUSTOMER : VPE / FARNELL  
 CUSTOMER PART NUMBER : X-285663A  
 REVISION

SALES : DATE :  
 QA : ENGRC :  
 CHECKED BY :  
 DRAWN BY : WANGHUI  
 DATE : 18/1/05  
 DATE : 17/02/05  
 DATE : 17/02/05  
 Confidential property of Voltek  
 Information contained herein shall not be disclosed to others, reproduced or used for any other purposes except as authorized in writing by an authorized official of Voltek Asia.



- Notes :
1. ALL DIMENSIONS IN mm.
  2. PLUG MARKING : REFER TO MARKING DRAWING NO. : VP-0006E.
  3. PLUG DETAILS : REFER TO PRODUCT DRAWING NO. : P-0020.
  4. THIS PART CAN BE MANUFACTURED AT ANY LOCATION WHICH HAS SAFETY APPROVAL.
  5. CONNECTION TO THE PLUG IS IN REVERSE POLARITY.

## X-ON Electronics

Largest Supplier of Electrical and Electronic Components

*Click to view similar products for [volex manufacturer](#):*

Other Similar products are found below :

[6491](#) [17419](#) [VQSFPQ30YP100](#) [17751-BLK-C3](#) [17519-BLK-B1](#) [17537-BLK-B1](#) [17537 10 B1](#) [2145H 10 H50](#) [17519 10 B1](#) [VSFP30YP050](#)  
[8490-10](#) [17205-10-B1](#) [17621 10 B1](#) [2111H](#) [17660 10 C3](#) [17660-BLK-C3](#) [17251](#) [17612-BLK-B1](#) [17962-BLK-C3](#) [17268A 10 B1](#) [X-](#)  
[150708A](#) [17962 10 C3](#) [9415-10-15](#) [17447-10-S2](#) [VL-0836-14-300](#) [2116H 10 C3](#) [17504A 10 B1](#) [17501-BLK-C3](#) [17970 8](#) [17238 10 B1](#)  
[17238-BLK-B1](#) [17746 10 B1](#) [17600 10 C3](#) [40230 8](#) [17625 10 B1](#) [17615-10-C3](#) [17968 8](#) [17515](#) [17425-10-S2](#) [17425-BLK-S2](#) [17020A 8 S2](#)  
[17508A 10 B1](#) [6482](#) [17523](#) [6483](#) [6479](#) [17635 10 S2](#) [17635-BLK-S2](#) [17510A 8 B1](#) [17510A-GRY-B1](#)