



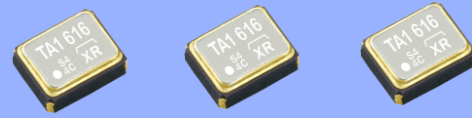
NEW



Product Number (Please contact us)
X1G004211xxxx00

TCXO/VC-TCXO MINIATURE SIZE LOW PROFILE HIGH STABILITY TG - 5006CG

- Frequency range : 13 MHz to 52 MHz
- Supply voltage : 1.8 V / 2.8 V
- Frequency / temperature characteristics : $\pm 0.5 \times 10^{-6}$ Max. or $\pm 2.0 \times 10^{-6}$ Max.
- External dimensions: 2.5 x 2.0 x 0.8 mm
- Applications : GPS, Wireless communication devices (CDMA, WCDMA, LTE, WiMAX, other)
- Features : High stability, Low supply voltage (1.8V)



Actual size

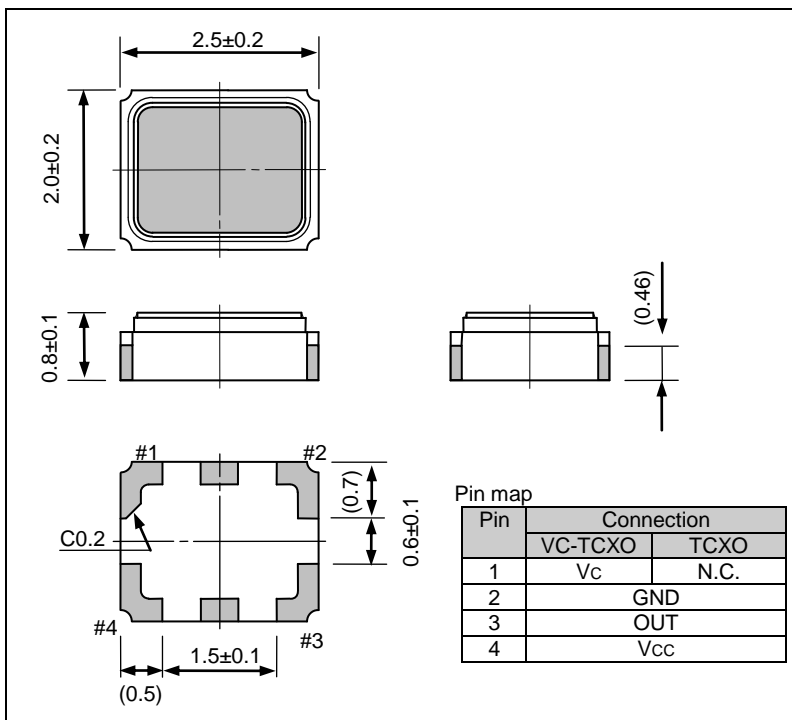
Specifications (characteristics)

Item	Symbol	Specifications		Conditions / Remarks
		VC-TCXO	TCXO	
Output frequency range	f _o	13.000 MHz to 52.000 MHz 16.367667 MHz, 16.368 MHz, 16.369 MHz, 19.2 MHz, 26 MHz and 38.4 MHz		Standard frequency
Supply voltage	V _{cc}	1.8 V \pm 0.1 V / 2.8 V \pm 0.14 V (Range :1.7 V to 3.3 V)		
Storage temperature	T _{stg}	-40 °C to +90 °C		Storage as single product.
Operating temperature	T _{use}	-30 °C to +85 °C		
Frequency tolerance	f _{tol}	$\pm 2.0 \times 10^{-6}$ Max.		After reflow, +25 °C
Frequency/temperature characteristics	fo-Tc	$\pm 0.5 \times 10^{-6}$ Max. / -30 °C to +85 °C		High stability version for GPS
		$\pm 2.0 \times 10^{-6}$ Max. / -30 °C to +85 °C		Standard stability version
		$\pm 2.0 \times 10^{-6}$ Max. / -40 °C to +85 °C (Option)		Customized product
Frequency/load coefficient	fo-Load	$\pm 0.2 \times 10^{-6}$ Max.		10 k Ω // 10 pF \pm 10 %
Frequency/voltage coefficient	fo-V _{cc}	$\pm 0.2 \times 10^{-6}$ Max.		V _{cc} =1.8 V \pm 0.1 V or 2.8 V \pm 0.14 V
Frequency aging	f _{age}	$\pm 1.0 \times 10^{-6}$ Max.		+25 °C, First year, 13 MHz \leq f _o \leq 40 MHz
		$\pm 1.5 \times 10^{-6}$ Max.		+25 °C, First year, 40 MHz < f _o \leq 52 MHz
Current consumption	I _{cc}	1.5 mA Max.		13 MHz \leq f _o \leq 26 MHz
		2.0 mA Max.		26 MHz < f _o \leq 52 MHz
Input resistance	R _{in}	500 k Ω Min.	—	V _c - GND (DC)
Frequency control range	f _{cont}	$\pm 8.0 \times 10^{-6}$ to $\pm 15.0 \times 10^{-6}$	—	V _c =0.9 V \pm 0.6 V (V _{cc} =1.8 V) or V _c =1.4 V \pm 1.0 V (V _{cc} =2.8 V)
Frequency change polarity	—	Positive polarity	—	
Symmetry	SYM	40 % to 60 %		GND level (DC cut)
Output voltage	V _{pp}	0.8 V Min.		Peak to Peak
Output load condition	Load _R	10 k Ω		DC cut capacitor = 0.01 μ F
	Load _C	10 pF		

* Note : Please contact us for requirements not listed in this specification.

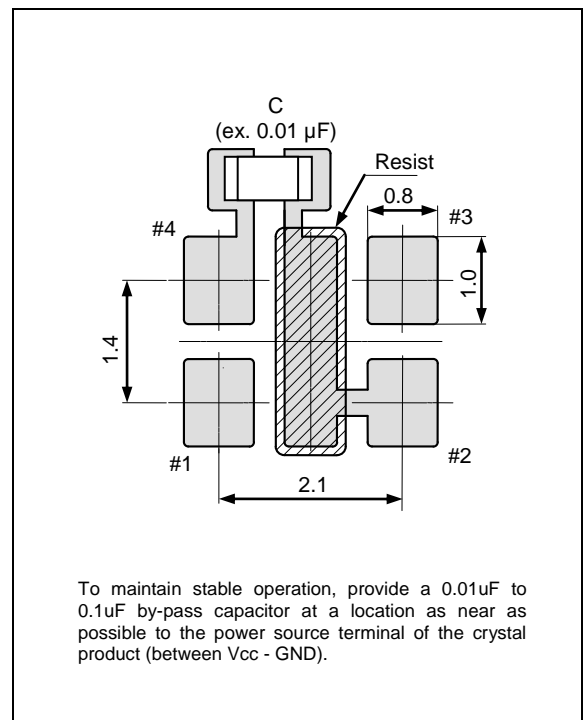
External dimensions

(Unit:mm)



Footprint (Recommended)

(Unit:mm)



X-ON Electronics

Largest Supplier of Electrical and Electronic Components

Click to view similar products for [epson manufacturer](#):

Other Similar products are found below :

[MA-505 24.0000M-C3 ROHS](#) [MC-405 32.7680K-G3: ROHS](#) [S5U13L02P00C100](#) [S5U13U11P00C100](#) [SG5032CAN 10.000000M-TJGA3](#)
[SG5032VAN 200.000000M-KEGA3](#) [SG-210STF 2.0480ML3](#) [SG-531P 7.3728MC:ROHS](#) [X1G0044810005](#) [SG7050CAN 10 MHZ](#) [SG-](#)
[Writer-II](#) [S5U1C31W74T1300](#) [S5U1C17W04T2100](#) [IC Socket for 7050 case](#) [SG-210STF 40.0000ML](#) [TSX-3225 26.0000MF10Z-B6](#) [EG-](#)
[2121CA 200.0000M-LGPNB](#) [RTC-72423A](#) [S5U13513P00C100](#) [SG-210STF 13.5600ML3](#) [Q3851CA000055](#) [XG-1000CA 50 MHZ](#) [EG-](#)
[2121CA 644.53125MLGPA](#) [RX-8564LC:B3 PURE SN](#) [M160](#) [MA-506 4.0000M-C3 ROHS](#) [EG-2121CA2000000M-LGPAL3](#)
[S5U13U00P00C100](#) [FA-118T 52.0000ME12Z-AC3](#) [S5U1C17001H3100](#) [S5U13513R00C100](#) [IC Socket for 5032 case](#) [FC-13A 32.7680KA-A](#)
[SG-210STF 4.0960ML](#) [S5U13517P00C200](#) [S5U13748P00C100](#) [S5U1C17W18T2100](#) [SG-310SCF 20.0000MM](#) [S5U13781R01C100](#) [MA-506](#)
[25.0000M-C3:ROHS](#) [S5U1C17M13T2100](#) [S5U1C17M13T1100](#) [FA-238 25.0000MB50X-C3](#) [RX-8803LC:UB3 PURE SN](#) [SG-3030LC](#)
[32.7680KB3, PURE SN](#) [SG-615P 8.0000MC3: ROHS](#) [Q3102JF010001](#) [SG-3030JF 32.768KHZ B](#) [M150](#) [S5U1C17W15T2100](#) [FC-135](#)
[32.7680KA-K0](#) [XG-2121CA 156.2500M-PGSNB](#) [FA-128 25.0000MF20X-WX](#)