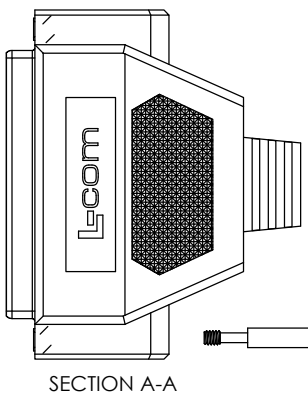
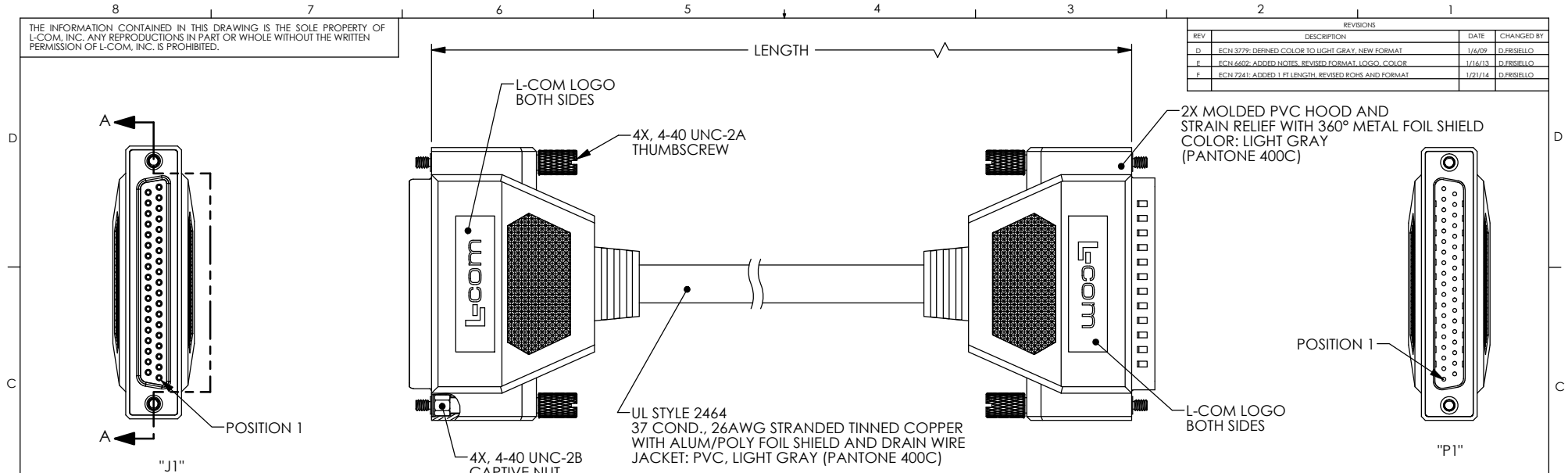


THE INFORMATION CONTAINED IN THIS DRAWING IS THE SOLE PROPERTY OF L-COM, INC. ANY REPRODUCTIONS IN PART OR WHOLE WITHOUT THE WRITTEN PERMISSION OF L-COM, INC. IS PROHIBITED.

REVISIONS			
REV	DESCRIPTION	DATE	CHANGED BY
D	ECN 3779: DEFINED COLOR TO LIGHT GRAY, NEW FORMAT	1/6/09	D.FRISIELLO
E	ECN 6662: ADDED NOTES, REVISED FORMAT, LOGO, COLOR	1/16/13	D.FRISIELLO
F	ECN 7241: ADDED 1 FT LENGTH, REVISED ROHS AND FORMAT	1/21/14	D.FRISIELLO



SUPPLIED WITH THUMBSCREWS IN PLACE  
 NOTE: SUPPLIED WITH OPTIONAL USE HARDWARE AND INSTRUCTIONS  
 CABLE INTERCONNECTION HARDWARE: (4) SCREWLOCKS, H= .191"  
 PANEL MOUNT HARDWARE: (4) SCREWLOCKS, H= .160"

WIRING MAP					
"J1"	WIRE COLOR	"P1"	"J1"	WIRE COLOR	"P1"
1	BLACK	1	20	RED / BLACK	20
2	BROWN	2	21	ORANGE / BLACK	21
3	RED	3	22	YELLOW / BLACK	22
4	ORANGE	4	23	GREEN / BLACK	23
5	YELLOW	5	24	GRAY / BLACK	24
6	GREEN	6	25	PINK / BLACK	25
7	BLUE	7	26	PINK / RED	26
8	PURPLE	8	27	PINK / BLUE	27
9	GRAY	9	28	PINK / GREEN	28
10	WHITE	10	29	LIGHT BLUE	29
11	PINK	11	30	LIGHT BLUE / BLACK	30
12	LIGHT GREEN	12	31	LIGHT BLUE / RED	31
13	BLACK / WHITE	13	32	LIGHT BLUE / BLUE	32
14	BROWN / WHITE	14	33	LIGHT BLUE / GREEN	33
15	RED / WHITE	15	34	GRAY / RED	34
16	ORANGE / WHITE	16	35	GRAY / GREEN	35
17	GREEN / WHITE	17	36	PURPLE / BLACK	36
18	BLUE / WHITE	18	37	BLUE / BLACK	37
19	PURPLE / WHITE	19	SHELL	DRAIN WIRE	SHELL

PART NUMBER	LENGTH	
	FEET	METERS
CRMN37MF-1	1.0	0.31
CRMN37MF-2.5	2.5	0.76
CRMN37MF-5	5.0	1.52
CRMN37MF-10	10.0	3.05
CRMN37MF-15	15.0	4.57
CRMN37MF-25	25.0	7.62

- NOTES:**
1. CABLE ASSEMBLY SHALL BE TESTED FOR CONTINUITY.
  2. CABLE ASSEMBLY SHALL BE INDIVIDUALLY PACKAGED IN ACCORDANCE WITH L-COM SPECIFICATION PS-0031.

**REGULATORY COMPLIANCE:**  
 CE2011/65/EU (RoHS DIRECTIVE)

UNLESS OTHERWISE SPECIFIED, DIMENSIONS ARE IN INCHES (mm)  
 OVERALL CABLE LENGTH TOLERANCE:  
 ≤12 (305) ≤40 (1026) = +1 (25) / -0  
 >12 (305) ≤40 (1026) = +2 (51) / -0  
 >40 (1026) ≤120 (3048) = +4 (102) / -0  
 >120 (3048) ≤300 (7620) = +6 (152) / -0  
 >300 (7620) = +8 (203) / -0  
 ALL OTHER DIMENSIONAL TOLERANCES:  
 X = ±2 (50.8)  
 XX = ±0.1 (2.54)  
 XXX = ±0.005 (0.127)

APPROVALS DATE  
 DRAWN BY 1/23/2003  
 I CLARK  
 CHECKED BY 1/29/2003  
 D PARHAM  
 APPROVED BY 1/29/2003  
 R CARRICK

**L-com** Global Connectivity 45 BEECHWOOD DRIVE NORTH ANDOVER, MA 01845

CATEGORY: D-SUBMINIATURE

PRODUCT DESCRIPTION: CABLE DB37M/F, REVERSIBLE HDWR

SIZE: B FSCM NO.: 43321 DWG. NO.: CRMN37MF

CONFIGURATION DETAILS OF UNDIMENSIONED FEATURES MAY VARY

COLOR VARIATIONS MAY OCCUR

CRMN-FS01

SCALE: 1:1 CAD FILE: CRMN37MF.SLDDRW SHEET 1 OF 1

## X-ON Electronics

Largest Supplier of Electrical and Electronic Components

*Click to view similar products for [USB Cables / IEEE 1394 Cables](#) category:*

*Click to view products by [L-Com](#) manufacturer:*

Other Similar products are found below :

[68768-0173](#) [FNY-W6003-01](#) [88764-0800](#) [13805532](#) [148700-1](#) [17-200621](#) [17-250051P](#) [954](#) [AC102012-2](#) [IP-USB1\(C10\)S-RW](#)  
[CABLE/RTP/USB/DT](#) [10115240-12200LF](#) [RS232-GTD](#) [USBFTVX2SA2N03A](#) [USBFTV2SA2N03A](#) [1689404-1](#) [FTP-629Y401](#) [FTP-](#)  
[628Y402](#) [943301-001](#) [FNY-W6022](#) [FNY-W6003-03](#) [1310-1015-05](#) [1310-1018-04](#) [1310-1019-04](#) [0887283402](#) [UA-30AMFM-SL7B02](#) [UA-](#)  
[30AMFM-SL7B01](#) [UA-30AFM-LD7B03](#) [UA-30AMFM-SL7B03](#) [USBAPSCC7202A](#) [UES-1001A160](#) [UES-1003A160](#)  
[USBFTVX7SA2N20A](#) [USBFTVX2SA2N20A](#) [USBFTV2PEMSA2N10A](#) [FTP-629Y602](#) [USBCAMCM100](#) [USB A/F\\*2 to 2.54 2\\*5P-SH](#)  
[L=400mm](#) [EP-CBUSB10P2FLT](#) [1310-1033-01](#) [1310-1037-04](#) [ASR-USB](#) [68784-0075](#) [17-241361](#) [17-230471](#) [217B-BC02](#) [USB-29](#) [19800-](#)  
[010500-200-RS](#) [USB+MINI DIN 6P WITH BKT](#) [088738-8100](#)