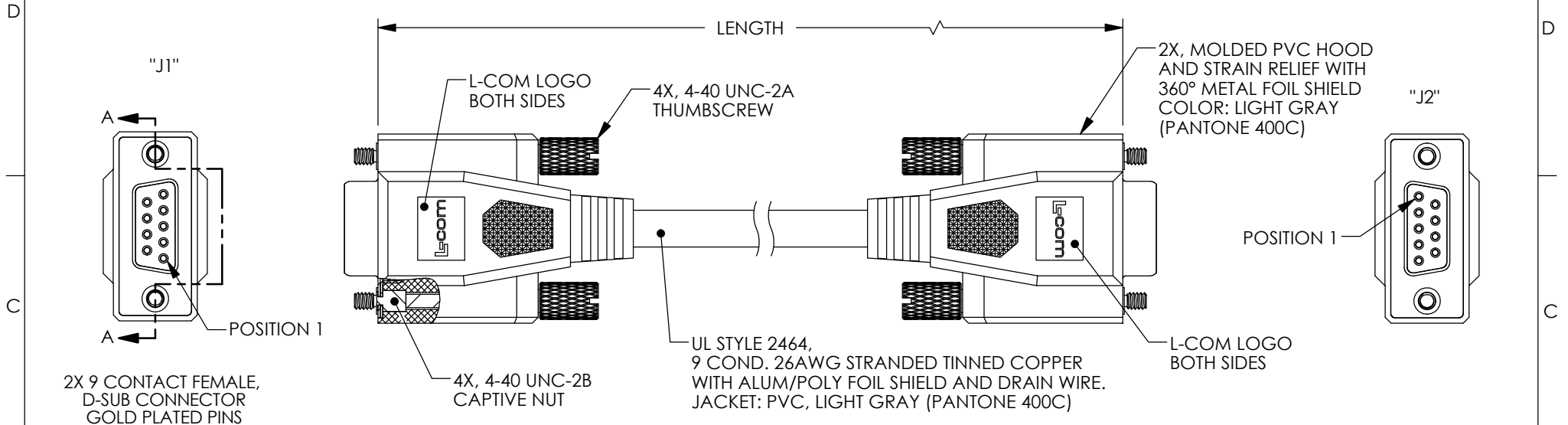


THE INFORMATION CONTAINED IN THIS DRAWING IS THE SOLE PROPERTY OF L-COM, INC. ANY REPRODUCTION IN PART OR WHOLE WITHOUT THE WRITTEN PERMISSION OF L-COM, INC. IS PROHIBITED.

REVISIONS			
REV	DESCRIPTION	DATE	APPROVED
E	ECN 6602: ADDED NOTES, REVISED FORMAT, LOGOS, COLOR	1/14/13	D.FRISIELLO
F	ECN 7241: ADDED 1.0 FT LENGTH, REVISED ROHS AND FORMAT	1/20/14	D.FRISIELLO



2X 9 CONTACT FEMALE, D-SUB CONNECTOR GOLD PLATED PINS

POSITION 1

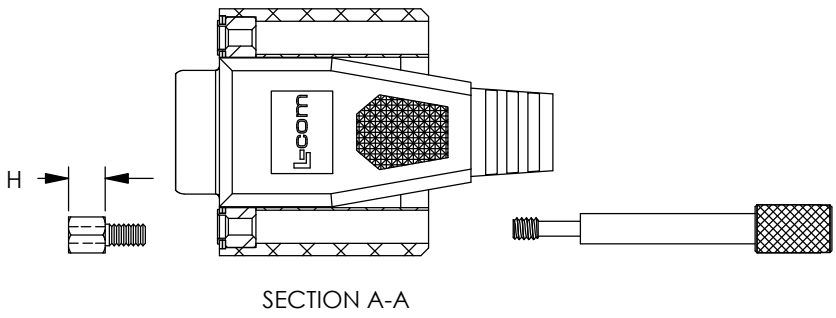
4X, 4-40 UNC-2B CAPTIVE NUT

UL STYLE 2464, 9 COND. 26AWG STRANDED TINNED COPPER WITH ALUM/POLY FOIL SHIELD AND DRAIN WIRE. JACKET: PVC, LIGHT GRAY (PANTONE 400C)

2X, MOLDED PVC HOOD AND STRAIN RELIEF WITH 360° METAL FOIL SHIELD COLOR: LIGHT GRAY (PANTONE 400C)

L-COM LOGO BOTH SIDES

POSITION 1



SECTION A-A

WIRING MAP		
J1	WIRE COLOR	J2
1	BLACK	1
2	GRAY	2
3	RED	3
4	GREEN	4
5	BROWN	5
6	BLUE	6
7	ORANGE	7
8	YELLOW	8
9	PURPLE	9
SHELL	DRAIN WIRE	SHELL

PART NUMBER	LENGTH	
	FEET	METERS
CRMN9FF-1	1.0	0.31
CRMN9FF-2.5	2.5	0.76
CRMN9FF-5	5.0	1.52
CRMN9FF-10	10.0	3.05
CRMN9FF-15	15.0	4.57
CRMN9FF-25	25.0	7.62

SUPPLIED WITH THUMBSCREWS IN PLACE.
 NOTE: SUPPLIED WITH OPTIONAL USE HARDWARE AND INSTRUCTIONS.
 CABLE INTERCONNECTION HARDWARE: (4) SCREWLOCKS, H= .191"
 PANEL MOUNT HARDWARE: (4) SCREWLOCKS, H= .160"

NOTES:

1. CABLE ASSEMBLY SHALL BE TESTED FOR CONTINUITY.
2. CABLE ASSEMBLY SHALL BE INDIVIDUALLY PACKAGED IN ACCORDANCE WITH L-COM SPECIFICATION PS-0031.

REGULATORY COMPLIANCE:
 CE2011/65/EU (RoHS DIRECTIVE)

UNLESS OTHERWISE SPECIFIED, DIMENSIONS ARE IN INCHES [mm]

OVERALL CABLE LENGTH TOLERANCE:
 ≤ 12 [305] = +1 [25] / -0
 >12 [305] ≤ 60 [1524] = +2 [51] / -0
 >60 [1524] ≤ 120 [3048] = +4 [102] / -0
 >120 [3048] ≤ 300 [7620] = +6 [152] / -0
 >300 [7620] = +5% / -0%

ALL OTHER DIMENSIONAL TOLERANCES:
 .X = ± .2 [5.08]
 .XX = ± .02 [1.51]
 .XXX = ± .005 [1.13]

PROJECTION

APPROVALS	DATE
DRAWN BY T CLARK	3/10/2004
CHECKED BY D PARHAM	3/30/2004
APPROVED BY C. MCCORMICK	3/31/2004

L-com Global Connectivity
 45 BEECHWOOD DRIVE
 NORTH ANDOVER, MA
 01845

CATEGORY: D-SUBMINIATURE

PRODUCT DESCRIPTION: CA, DB9F/F REVERSIBLE HDWR

SIZE A	FSCM NO. 43321	DWG. NO. CRMN9FF	REV. F
SCALE: NONE		CAD FILE: CRMN9FF.SLDDRW	
CRMN-FS01			SHEET 1 OF 1

X-ON Electronics

Largest Supplier of Electrical and Electronic Components

Click to view similar products for [USB Cables / IEEE 1394 Cables](#) category:

Click to view products by [L-Com](#) manufacturer:

Other Similar products are found below :

[68768-0173](#) [FNY-W6003-01](#) [88764-0800](#) [13805532](#) [148700-1](#) [17-200621](#) [17-250051P](#) [954](#) [AC102012-2](#) [IP-USB1\(C10\)S-RW](#)
[CABLE/RTP/USB/DT](#) [10115240-12200LF](#) [RS232-GTD](#) [USBFTVX2SA2N03A](#) [USBFTV2SA2N03A](#) [1689404-1](#) [FTP-629Y401](#) [FTP-](#)
[628Y402](#) [943301-001](#) [FNY-W6022](#) [FNY-W6003-03](#) [1310-1015-05](#) [1310-1018-04](#) [1310-1019-04](#) [0887283402](#) [UA-30AMFM-SL7B02](#) [UA-](#)
[30AMFM-SL7B01](#) [UA-30AFM-LD7B03](#) [UA-30AMFM-SL7B03](#) [USBAPSCC7202A](#) [UES-1001A160](#) [UES-1003A160](#)
[USBFTVX7SA2N20A](#) [USBFTVX2SA2N20A](#) [USBFTV2PEMSA2N10A](#) [FTP-629Y602](#) [USBCAMCM100](#) [USB A/F*2 to 2.54 2*5P-SH](#)
[L=400mm](#) [EP-CBUSB10P2FLT](#) [1310-1033-01](#) [1310-1037-04](#) [ASR-USB](#) [68784-0075](#) [17-241361](#) [17-230471](#) [217B-BC02](#) [USB-29](#) [19800-](#)
[010500-200-RS](#) [USB+MINI DIN 6P WITH BKT](#) [088738-8100](#)