



GREEN ELECTRONICS



**PSM**

Terminal Blocks and Connectors for Printed Circuit Boards



ISO  
9001



ISO  
14001



BS OHSAS  
18001:2007



**SAURO<sup>®</sup>**  
ELECTRONIC CONNECTORS

### Functional characteristics



**Dimensional class:**  
medium



**Standard colour:**  
green



**Heights:**  
35.6 mm, 25.2 mm, 14.8 mm  
(1.40 in, .99 in, .58 in)



**Max approved wire sections**  
solid: 2.5 mm<sup>2</sup> (VDE); 12 AWG (UL)  
stranded: 2.5 mm<sup>2</sup> (VDE); 12 AWG (UL)

**Clamp opening size:**  
2.5 x 2.3 mm (.098 x .087 in)



**Versions:**  
modular

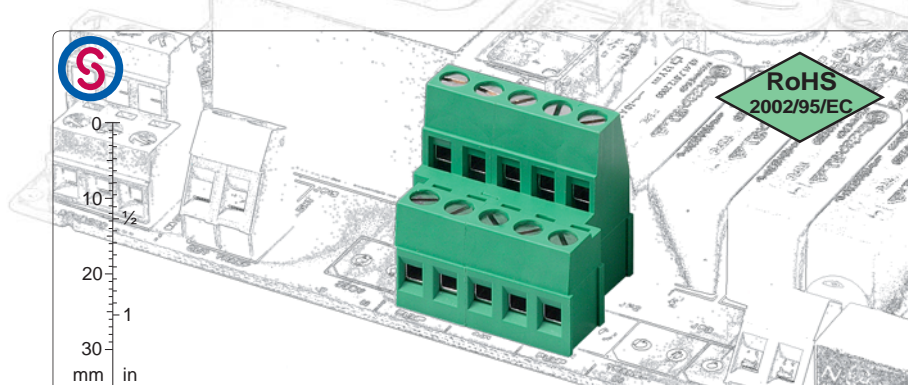
**Single mould poles:**  
from 2 to 8 (modular)



**Pitches:**  
metric 5 mm, 10 mm  
(.197 in, .394 in)



imperial 5.08 mm, 10.16 mm  
(.200 in, .400 in)



pitch 5/5.08 mm  
from 2 to 3 poles  
1st and 2nd level, modular



pitch 5/5.08 mm  
from 2 to 3 poles  
2nd and 3rd level, modular



pitch 5/5.08 mm  
from 2 to 8 poles  
middle tower, modular



pitch 5/5.08 mm  
from 2 to 3 poles  
high tower, modular



pitch 5/5.08 mm  
from 2 to 3 poles  
three levels, modular



available accessories:  
from 2 to 9 poles  
BSC for rising clamp

### Brief description

The PSM multi-level terminal block series called "PLURIMA" represents the most advanced solution as far as compactness of the wire and connections to the PCBs is concerned.

The arrangement of the poles on 2 or 3 staggered levels **guarantees maximum accessibility and good visibility of the connection points.**

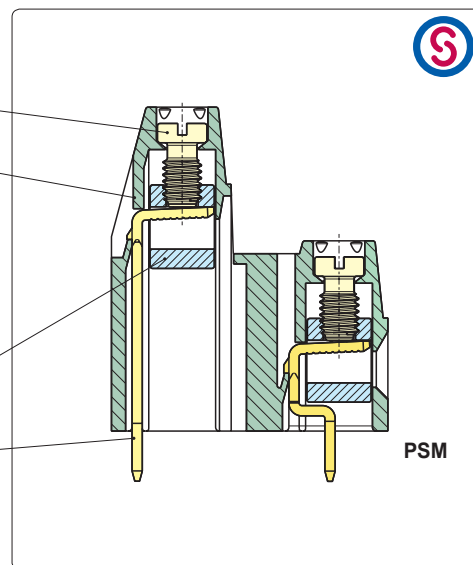
The PSM series is available in 5 mm (.197 in) and 10 mm (.394 in) metric pitches and 5.08 mm (.200 in) and 10.16 mm (.400 in) Imperial pitches, in modular housings from 2 to 3 poles, with insertion of the wire parallel to the PCB.

The 2 and 3 level blocks can be combined with one another, both with the Medium and High Tower and also with the MSM series in countless and different geometric configurations. By taking advantage of this particular characteristic a minimum stock of basic terminal blocks can be kept.

It is simple to manage the product, the warehouse and the assembly with the Kit packages because several versions can be received with only one code, the part-numbers are significantly reduced and the risk of making mistakes is also reduced.

## Characteristics of Components

- M3 nickel plated copper alloy screw.
- PA 6.6 polyamide housing.  
Standard colour: GREEN.  
V0 self-extinguishing according to UL 94.  
Chlorinated solvents resistant,  
with no phosphor, dioxin or  
detrimental to health halogens.
- Nickel plated copper alloy clamp
- Easy to solder lead-free  
tin-plated copper alloy pin.



## Mechanical characteristics

Recommended/highest tightening torque	0.5/0.6 Nm (4.42/5.31 lbf in)
PCB thickness:	max. 2.4 mm (.094 in)
PCB hole diameter:	min. 1.4 mm (.055 in)
Stripping length	5.5 ÷ 6.5 mm (.22 ÷ .26 in)
Operating temperature range	-40 °C ÷ +110 °C (-40 °F ÷ +230 °F)
Climatic category	40/110/21 according to EN 60068-1

## Electric characteristics\*

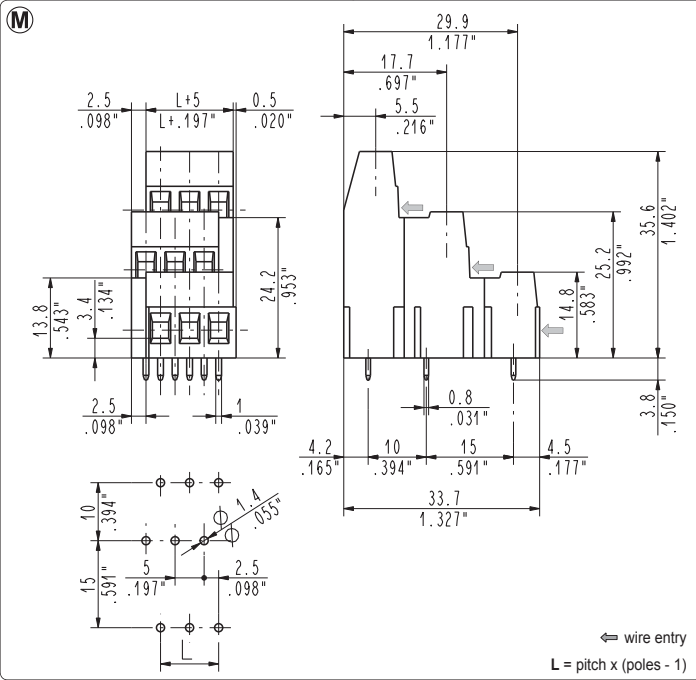
Solid wire section	0.05÷2.5 mm <sup>2</sup> (VDE)* 30÷12 AWG (UL)*
Stranded wire section	0.05÷2.5 mm <sup>2</sup> (VDE)* 30÷12 AWG (UL)*
Rated voltage for 5 mm (.197 in) and 5.08 mm (.200 in)	300 V (UL)*
Rated voltage for 10 mm (.394 in) and 10.16 mm (.400 in)	750 V (IMQ)*
Rated current	24 A (VDE, IMQ)*
Contact resistance	<15 mΩ
Insulation resistance	>10 <sup>9</sup> Ω (500V DC)

\*All the a.m. data refer to the highest values amongst the certificated ones.

V voltage, I current values and tightening torque are related to the norms to be applied to the product and to its use.

## Approvals

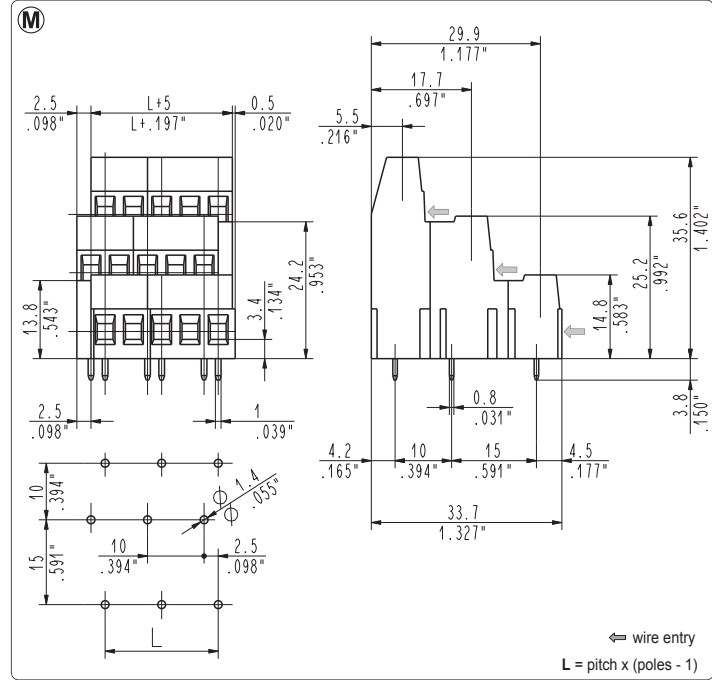
IEC-EN	IEC:	250 V - 24 A - 2.5 mm <sup>2</sup> - T 110 for 5 mm and 5.08 mm pitch
	EN 60998	750 V - 24 A - 2.5 mm <sup>2</sup> - T 110 for 10 mm and 10.16 mm pitch
UL	UL:	300 V - 17.5 A - 30÷12 AWG - 7 lbf-in for 5 mm, 5.08 mm pitch
	File E167473	600 V - 17.5 A - 30÷12 AWG - 7 lbf-in for 10 mm and 10.16 mm pitch
		Application values for end-use equipment have to be in accordance to UL norms and applicable to it.
VDE	VDE:	250 V - 24 A (20 A for "T" and "K" versions) - 2.5 mm <sup>2</sup> - T 110 for 5 mm and 5.08 mm pitch
	Reg. N. 40022741	750 V - 24 A (20 A for "T" and "K" versions) - 2.5 mm <sup>2</sup> - T 110 for 10 mm and 10.16 mm pitch
IMQ	IMQ:	250 V - 24 A - 2.5 mm <sup>2</sup> - T 110 for 5 mm and 5.08 mm pitch
	File: ED625	750 V - 24 A - 2.5 mm <sup>2</sup> - T 110 for 10 mm and 10.16 mm pitch



**PSM\_0T1** 3 levels modular

5 mm / .197" pitch

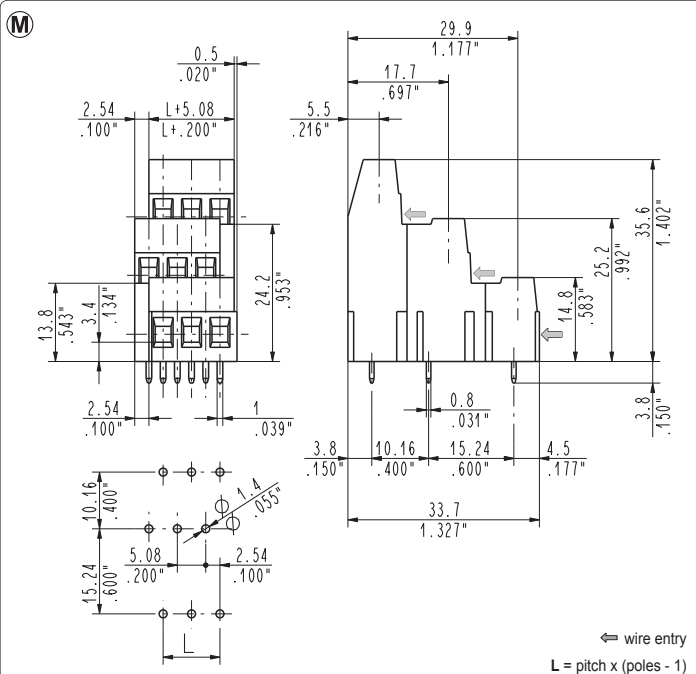
Single Mould Terminal Blocks					
Poles	Code	Pcs/pack.	W [kg]*	Pcs/ind.**	W [kg]*
02	PSM020T1	100	1,23	250	3,08
03	PSM030T1	75	1,38	250	4,61



**PSM\_0T2** 3 levels modular

10 mm / .394" pitch

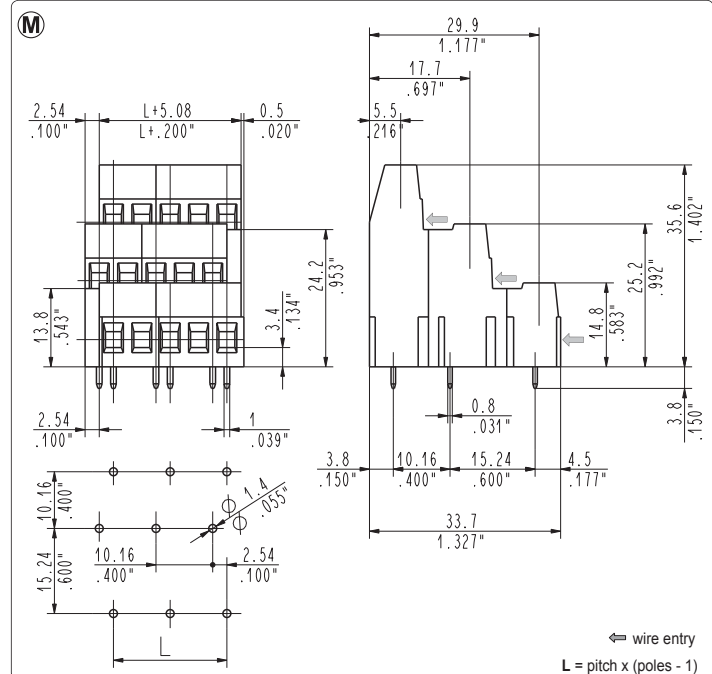
Assembled Terminal Blocks					
Poles	Code	Pcs/pack.	W [kg]*	Pcs/ind.**	W [kg]*
01	PSM010T2	100	0,80	250	1,99
02	PSM020T2	75	1,19	250	3,98
03	PSM030T2	70	1,67	200	4,77
04	PSM040T2	50	1,59	200	6,36
05	PSM050T2	35	1,39	150	5,96
06	PSM060T2	35	1,67	150	7,16
07	PSM070T2	25	1,39	100	5,57
08	PSM080T2	25	1,59	100	6,36
09	PSM090T2	15	1,07	100	7,16
10	PSM100T2	15	1,19	50	3,98
11	PSM110T2	15	1,31	50	4,37
12	PSM120T2	15	1,43	50	4,77
13	PSM130T2	10	1,03	50	5,17



**PSM\_0T5** 3 levels modular

5.08 mm / .200" pitch

Single Mould Terminal Blocks					
Poles	Code	Pcs/pack.	W [kg]*	Pcs/ind.**	W [kg]*
02	PSM020T5	100	1,23	250	3,08
03	PSM030T5	75	1,38	250	4,61



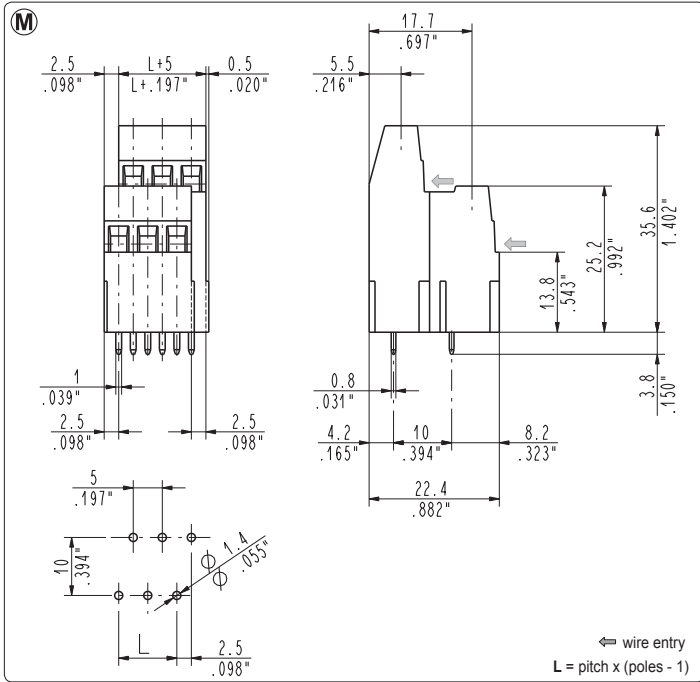
**PSM\_0T6** 3 levels modular

10.16 mm / .400" pitch

Assembled Terminal Blocks					
Poles	Code	Pcs/pack.	W [kg]*	Pcs/ind.**	W [kg]*
01	PSM010T6	100	0,80	250	1,99
02	PSM020T6	75	1,19	250	3,98
03	PSM030T6	70	1,67	200	4,77
04	PSM040T6	50	1,59	200	6,36
05	PSM050T6	35	1,39	150	5,96
06	PSM060T6	35	1,67	150	7,16
07	PSM070T6	25	1,39	100	5,57
08	PSM080T6	25	1,59	100	6,36
09	PSM090T6	15	1,07	100	7,16
10	PSM100T6	15	1,19	50	3,98
11	PSM110T6	15	1,31	50	4,37
12	PSM120T6	15	1,43	50	4,77
13	PSM130T6	10	1,03	50	5,17

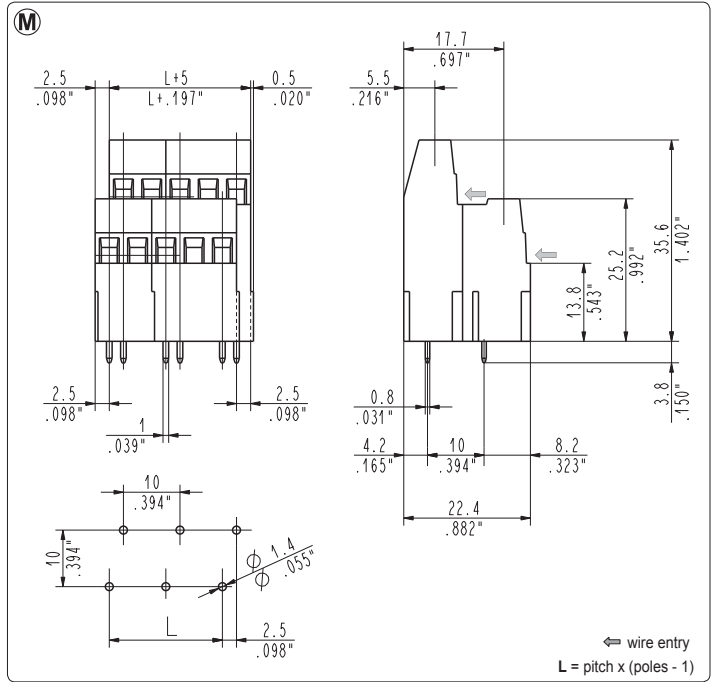
\*W [kg]: approximate weight per box in kg

\*\*Industrial packaging: add "-00000E" at standard code



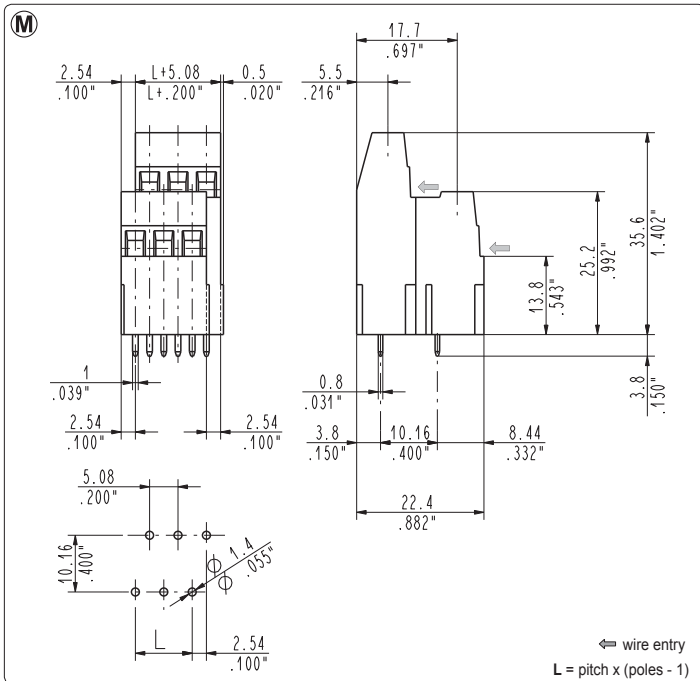
**PSM\_0K1** 2nd & 3rd levels modular  
5 mm / .197" pitch

Single Mould Terminal Blocks					
Poles	Code	Pcs/pack.	W [kg]*	Pcs/ind.**	W [kg]*
02	PSM020K1	175	1,66	500	4,74
03	PSM030K1	100	1,42	250	3,55



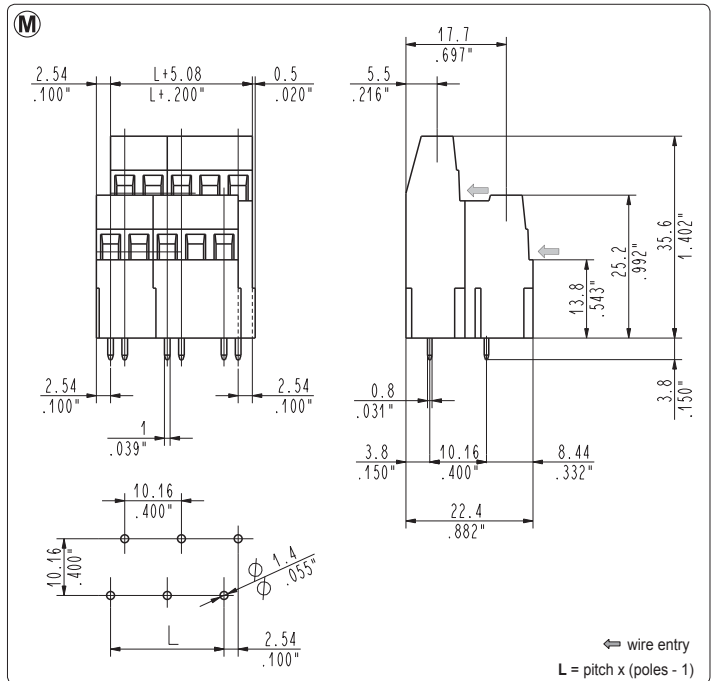
**PSM\_0K2** 2nd & 3rd levels modular  
10 mm / .394" pitch

Assembled Terminal Blocks					
Poles	Code	Pcs/pack.	W [kg]*	Pcs/ind.**	W [kg]*
01	PSM010K2	175	1,02	500	2,90
02	PSM020K2	100	1,16	250	2,90
03	PSM030K2	95	1,65	200	3,48
04	PSM040K2	70	1,62	200	4,64
05	PSM050K2	55	1,60	150	4,35
06	PSM060K2	45	1,57	150	5,22
07	PSM070K2	35	1,42	100	4,06
08	PSM080K2	35	1,62	100	4,64
09	PSM090K2	30	1,57	100	5,22
10	PSM100K2	25	1,45	50	2,90
11	PSM110K2	20	1,28	50	3,19
12	PSM120K2	20	1,39	50	3,48
13	PSM130K2	15	1,13	50	3,77



**PSM\_0K5** 2nd & 3rd levels modular  
5.08 mm / .200" pitch

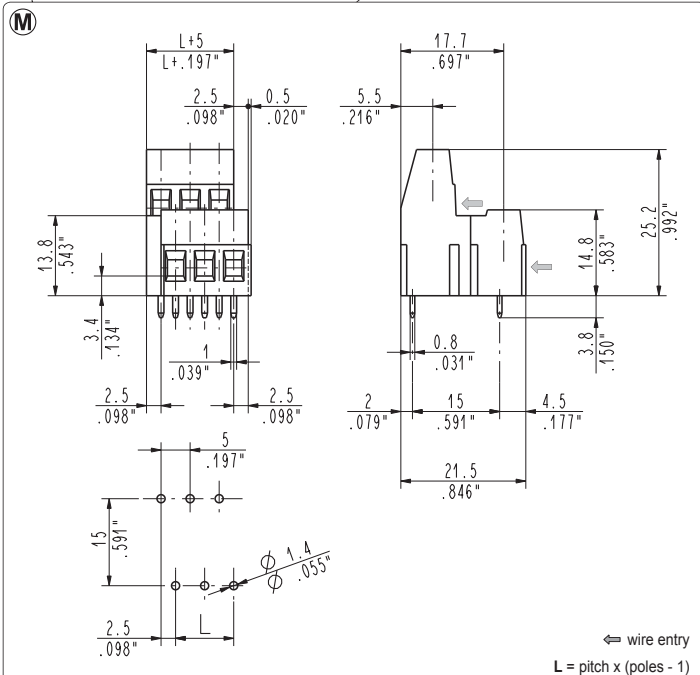
Single Mould Terminal Blocks					
Poles	Code	Pcs/pack.	W [kg]*	Pcs/ind.**	W [kg]*
02	PSM020K5	175	1,66	500	4,74
03	PSM030K5	100	1,42	250	3,55



**PSM\_0K6** 2nd & 3rd levels modular  
10.16 mm / .400" pitch

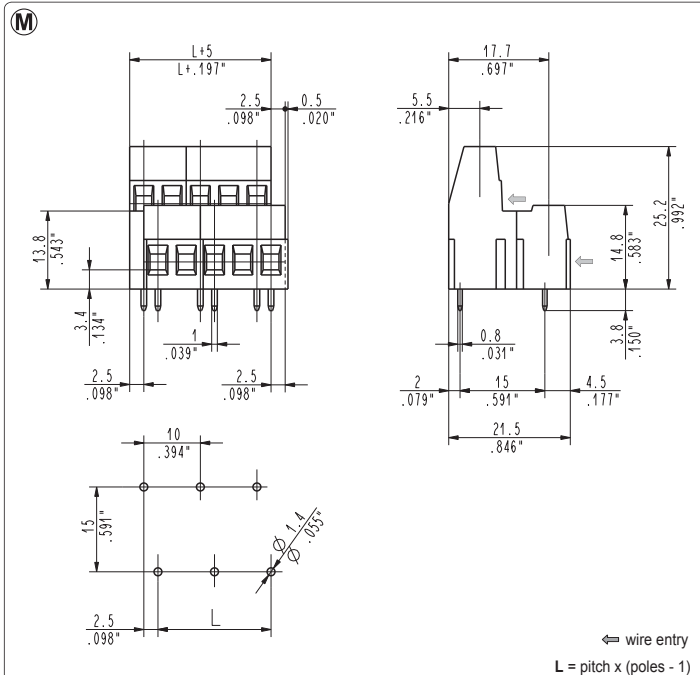
Assembled Terminal Blocks					
Poles	Code	Pcs/pack.	W [kg]*	Pcs/ind.**	W [kg]*
01	PSM010K6	175	1,02	500	2,90
02	PSM020K6	100	1,16	250	2,90
03	PSM030K6	95	1,65	200	3,48
04	PSM040K6	70	1,62	200	4,64
05	PSM050K6	55	1,60	150	4,35
06	PSM060K6	45	1,57	150	5,22
07	PSM070K6	35	1,42	100	4,06
08	PSM080K6	35	1,62	100	4,64
09	PSM090K6	30	1,57	100	5,22
10	PSM100K6	25	1,45	50	2,90
11	PSM110K6	20	1,28	50	3,19
12	PSM120K6	20	1,39	50	3,48
13	PSM130K6	15	1,13	50	3,77

(M) Modular version, combinable 2 ÷ ∞ poles



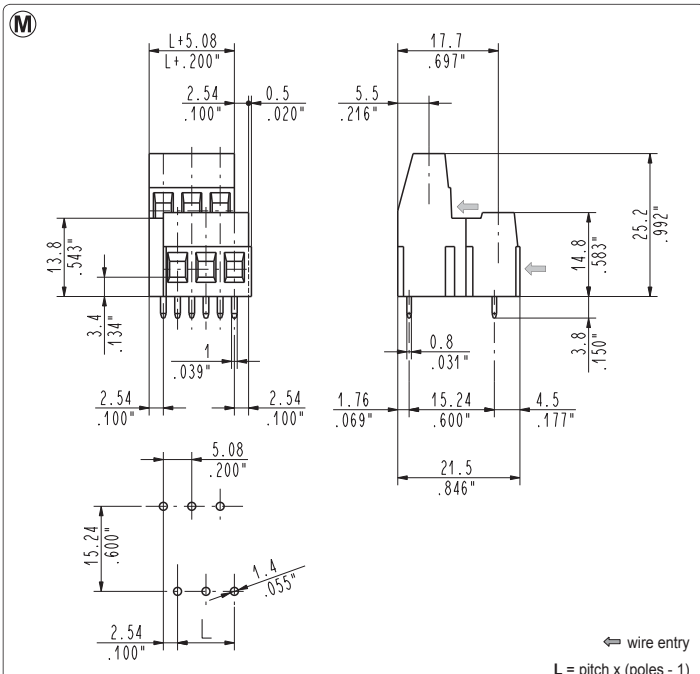
**PSM\_0D1** 1st & 2nd levels modular  
5.00 mm / .197" pitch

Single Mould Terminal Blocks					
Poles	Code	Pcs/pack.	W [kg]*	Pcs/ind.**	W [kg]*
02	PSM020D1	250	1,74	500	3,49
03	PSM030D1	175	1,83	500	5,23



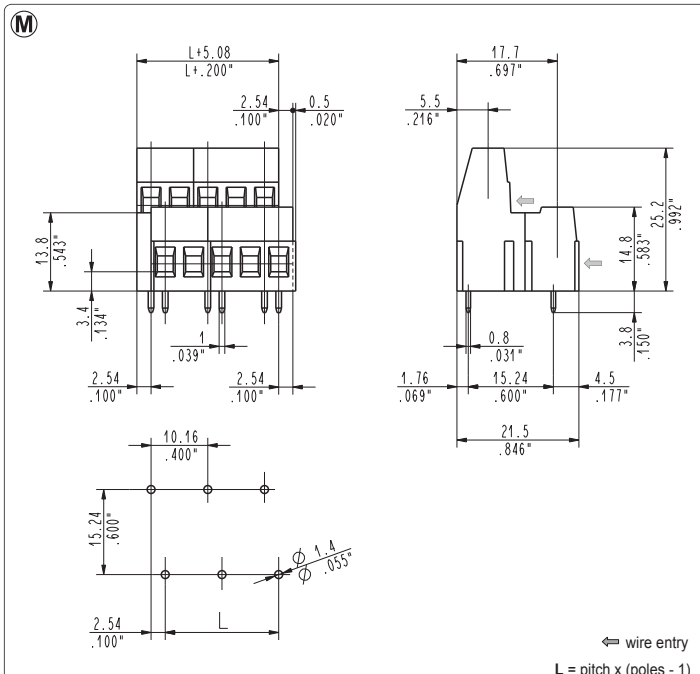
**PSM\_0D2** 1st & 2nd levels modular  
10 mm / .394" pitch

Assembled Terminal Blocks					
Poles	Code	Pcs/pack.	W [kg]*	Pcs/ind.**	W [kg]*
01	PSM010D2	250	1,20	500	2,40
02	PSM020D2	175	1,68	500	4,80
03	PSM030D2	125	1,80	250	3,60
04	PSM040D2	95	1,82	250	4,80
05	PSM050D2	75	1,80	150	3,60
06	PSM060D2	60	1,73	150	4,32
07	PSM070D2	45	1,51	100	3,36
08	PSM080D2	45	1,73	100	3,84
09	PSM090D2	40	1,73	100	4,32
10	PSM100D2	35	1,68	100	4,80
11	PSM110D2	30	1,58	100	5,28
12	PSM120D2	30	1,73	100	5,76
13	PSM130D2	20	1,25	50	3,12



**PSM\_0D5** 1st & 2nd levels modular  
5.08 mm / .200" pitch

Single Mould Terminal Blocks					
Poles	Code	Pcs/pack.	W [kg]*	Pcs/ind.**	W [kg]*
02	PSM020D5	250	1,74	500	3,49
03	PSM030D5	175	1,83	500	5,23

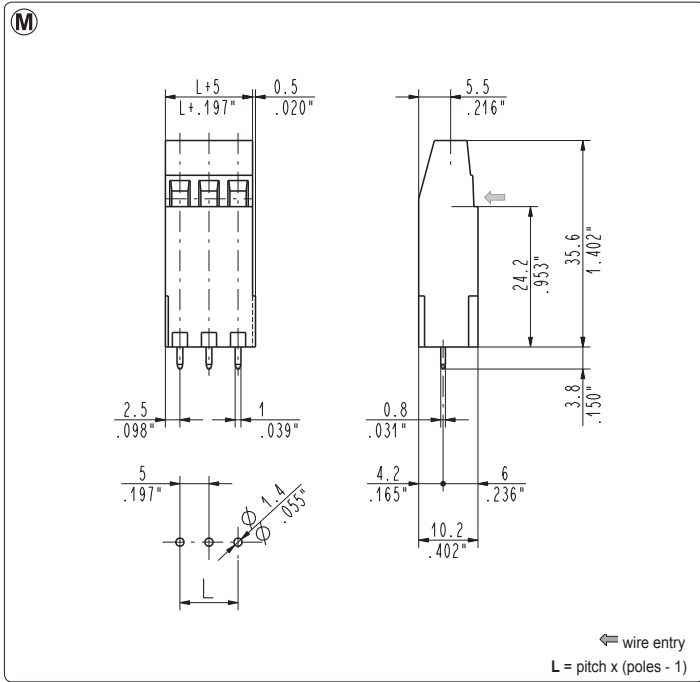


**PSM\_0D6** 1st & 2nd levels modular  
10.16 mm / .400" pitch

Assembled Terminal Blocks					
Poles	Code	Pcs/pack.	W [kg]*	Pcs/ind.**	W [kg]*
01	PSM010D6	250	1,20	500	2,40
02	PSM020D6	175	1,68	500	4,80
03	PSM030D6	125	1,80	250	3,60
04	PSM040D6	95	1,82	250	4,80
05	PSM050D6	75	1,80	150	3,60
06	PSM060D6	60	1,73	150	4,32
07	PSM070D6	45	1,51	100	3,36
08	PSM080D6	45	1,73	100	3,84
09	PSM090D6	40	1,73	100	4,32
10	PSM100D6	35	1,68	100	4,80
11	PSM110D6	30	1,58	100	5,28
12	PSM120D6	30	1,73	100	5,76
13	PSM130D6	20	1,25	50	3,12

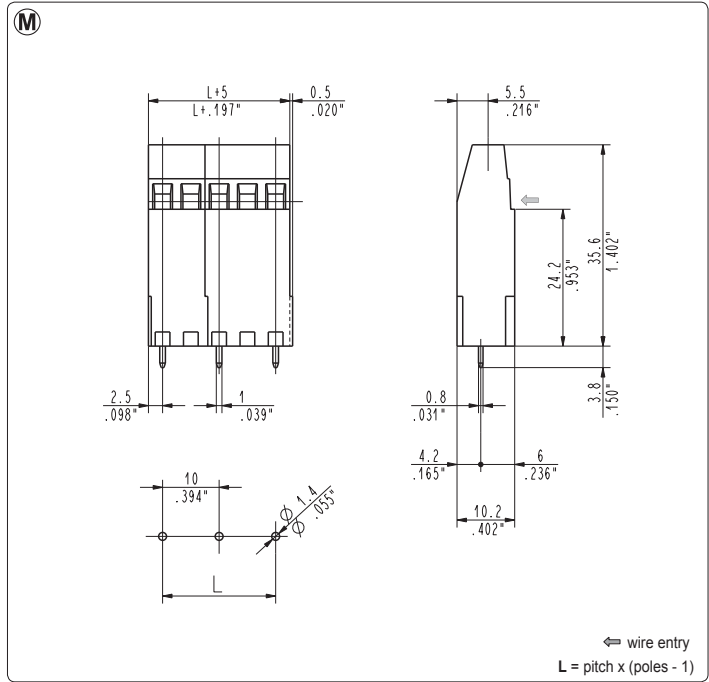
\*W [kg]: approximate weight per box in kg

\*\*Industrial packaging: add "-00000E" at standard code



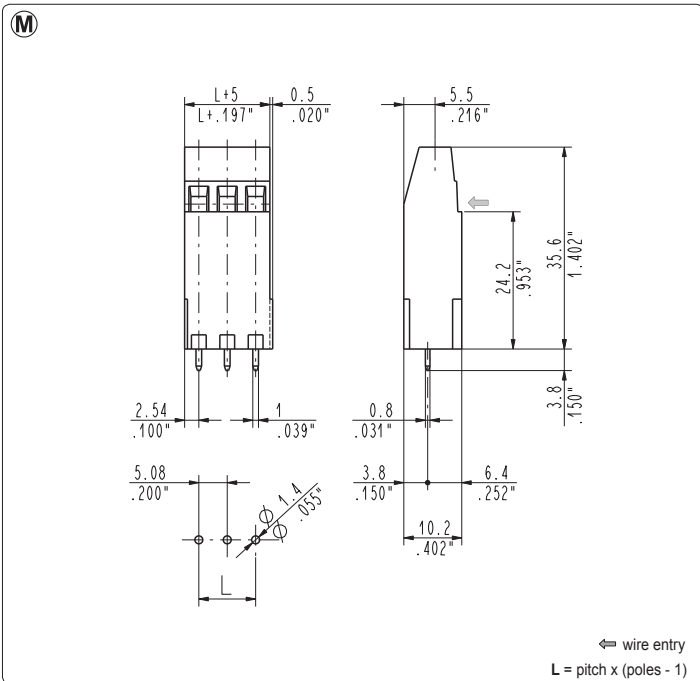
**PSM\_0H1** high tower modular  
5 mm / .197" pitch

Single Mould Terminal Blocks					
Poles	Code	Pcs/pack.	W [kg]*	Pcs/ind.**	W [kg]*
02	PSM020H1	250	1,33	500	2,66
03	PSM030H1	175	1,40	500	3,99



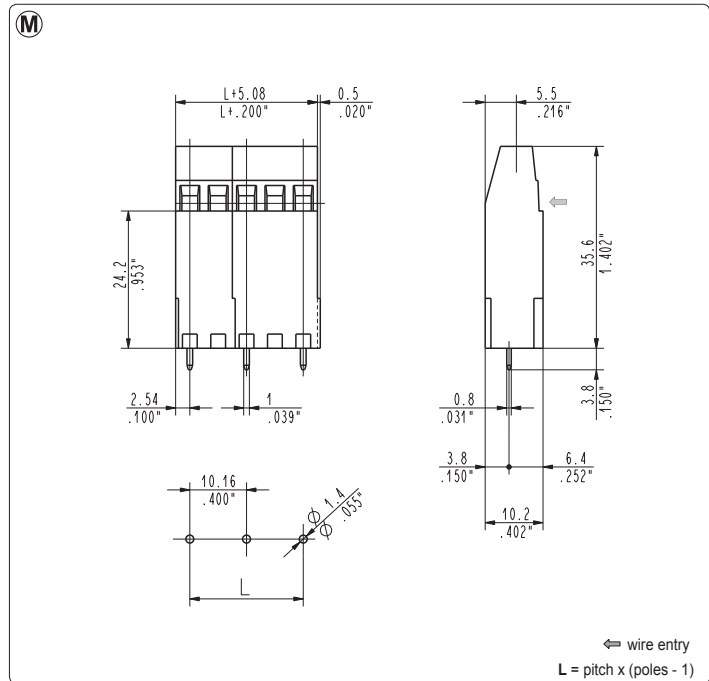
**PSM\_0H2** high tower modular  
10 mm / .394" pitch

Assembled Terminal Blocks					
Poles	Code	Pcs/pack.	W [kg]*	Pcs/ind.**	W [kg]*
01	PSM010H2	250	0,79	500	1,58
02	PSM020H2	175	1,10	500	3,15
03	PSM030H2	80	0,76	250	2,36
04	PSM040H2	60	0,76	250	3,15
05	PSM050H2	45	0,71	250	3,94
06	PSM060H2	35	0,66	100	1,89
07	PSM070H2	25	0,55	100	2,21
08	PSM080H2	25	0,63	100	2,52
09	PSM090H2	25	0,71	100	2,84
10	PSM100H2	15	0,47	100	3,15
11	PSM110H2	15	0,52	50	1,73
12	PSM120H2	15	0,57	50	1,89
13	PSM130H2	10	0,41	50	2,05



**PSM\_0H5** high tower modular  
5.08 mm / .200" pitch

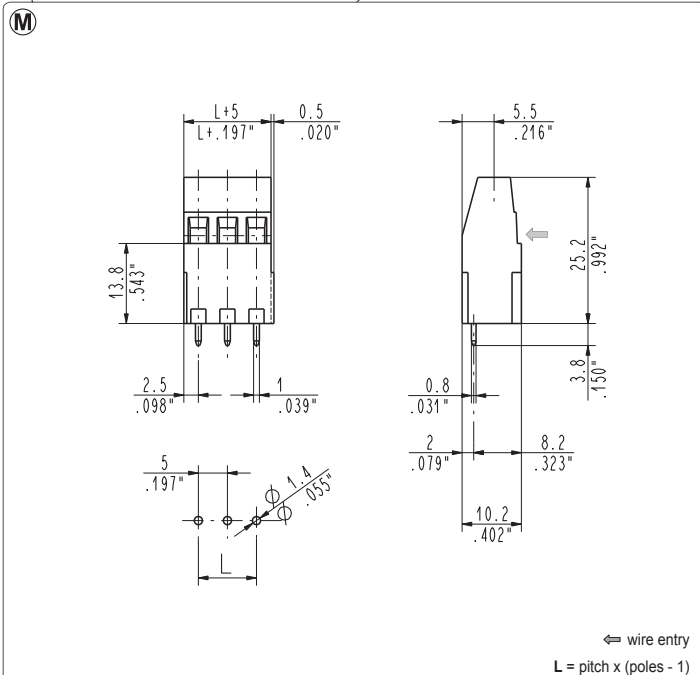
Single Mould Terminal Blocks					
Poles	Code	Pcs/pack.	W [kg]*	Pcs/ind.**	W [kg]*
02	PSM020H5	250	1,33	500	2,66
03	PSM030H5	175	1,40	500	3,99



**PSM\_0H6** high tower modular  
10.16 mm / .400" pitch

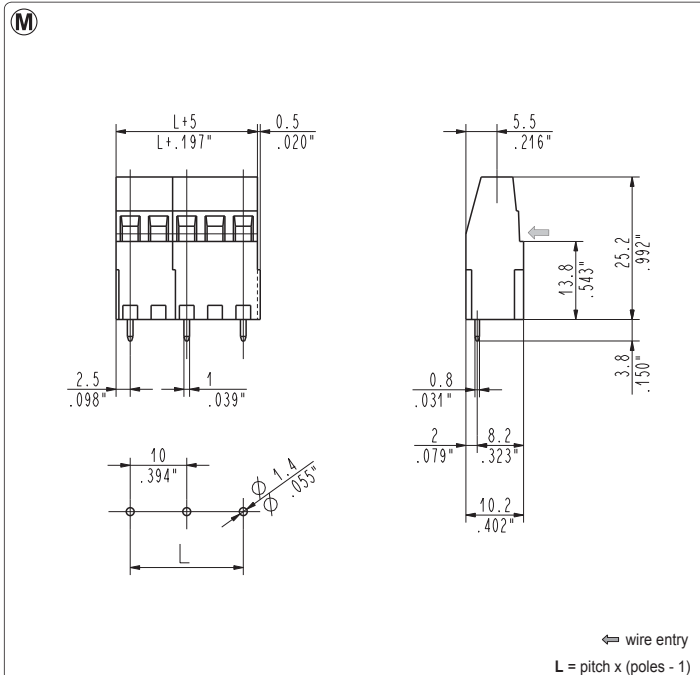
Assembled Terminal Blocks					
Poles	Code	Pcs/pack.	W [kg]*	Pcs/ind.**	W [kg]*
01	PSM010H6	250	0,79	500	1,58
02	PSM020H6	175	1,10	500	3,15
03	PSM030H6	80	0,76	250	2,36
04	PSM040H6	60	0,76	250	3,15
05	PSM050H6	45	0,71	250	3,94
06	PSM060H6	35	0,66	100	1,89
07	PSM070H6	25	0,55	100	2,21
08	PSM080H6	25	0,63	100	2,52
09	PSM090H6	25	0,71	100	2,84
10	PSM100H6	15	0,47	100	3,15
11	PSM110H6	15	0,52	50	1,73
12	PSM120H6	15	0,57	50	1,89
13	PSM130H6	10	0,41	50	2,05

(M) Modular version, combinable 2 ÷ ∞ poles



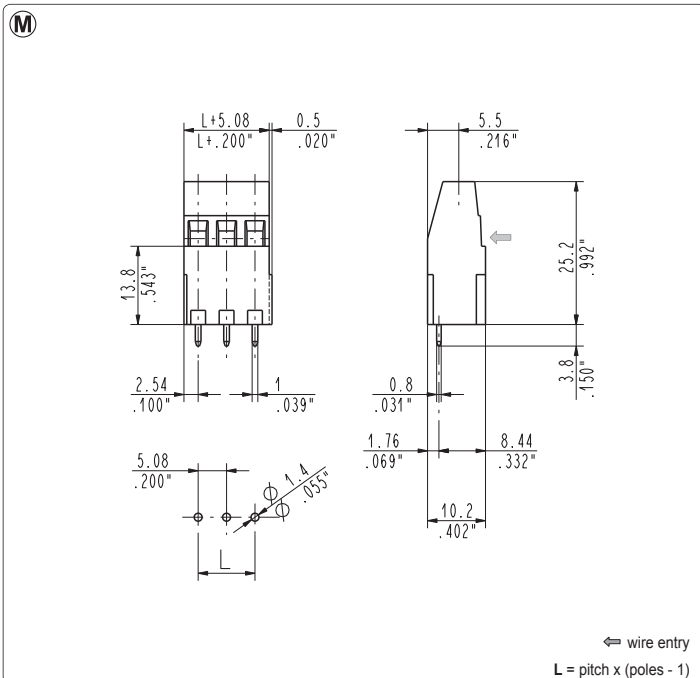
**PSM\_0M1** medium tower modular  
5 mm / .197" pitch

Single Mould Terminal Blocks					
Poles	Code	Pcs/pack.	W [kg]*	Pcs/ind.**	W [kg]*
02	PSM020M1	250	1,04	1250	5,20
03	PSM030M1	175	1,09	1000	6,24
04	PSM040M1	125	1,04	750	6,24
05	PSM050M1	110	1,14	750	7,80
06	PSM060M1	95	1,19	750	9,36
07	PSM070M1	80	1,16	750	10,92
08	PSM080M1	60	1,00	500	8,32



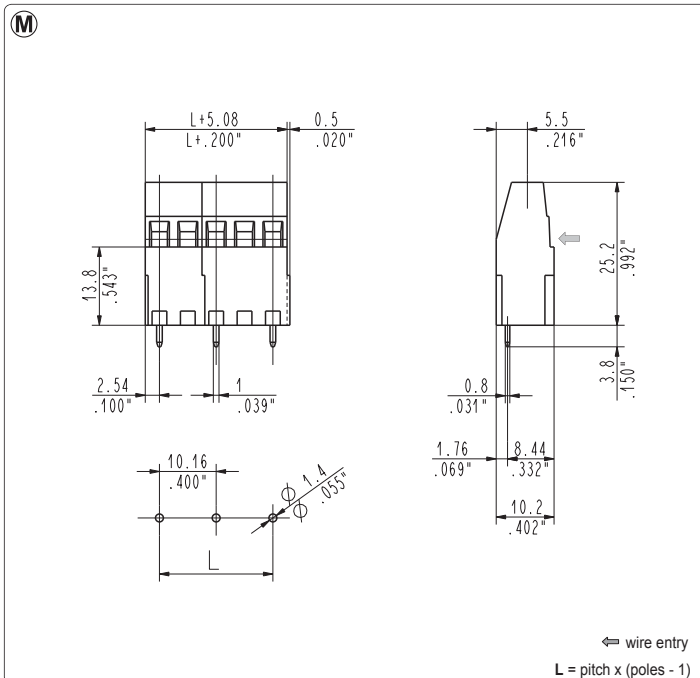
**PSM\_0M2** medium tower modular  
10 mm / .394" pitch

Assembled Terminal Blocks					
Poles	Code	Pcs/pack.	W [kg]*	Pcs/ind.**	W [kg]*
01	PSM010M2	250	0,66	1250	3,31
02	PSM020M2	175	0,93	1000	5,30
03	PSM030M2	110	0,87	750	5,96
04	PSM040M2	80	0,85	750	7,95
05	PSM050M2	60	0,80	500	6,63
06	PSM060M2	45	0,72	500	7,95
07	PSM070M2	35	0,65	250	4,64
08	PSM080M2	35	0,74	250	5,30
09	PSM090M2	30	0,72	250	5,96
10	PSM100M2	25	0,66	100	2,65
11	PSM110M2	25	0,73	100	2,92
12	PSM120M2	25	0,80	100	3,18
13	PSM130M2	15	0,52	100	3,45



**PSM\_0M5** medium tower modular  
5.08 mm / .200" pitch

Single Mould Terminal Blocks					
Poles	Code	Pcs/pack.	W [kg]*	Pcs/ind.**	W [kg]*
02	PSM020M5	250	1,04	1250	5,20
03	PSM030M5	175	1,09	1000	6,24
04	PSM040M5	125	1,04	750	6,24
05	PSM050M5	110	1,14	750	7,80
06	PSM060M5	95	1,19	750	9,36
07	PSM070M5	80	1,16	750	10,92
08	PSM080M5	60	1,00	500	8,32



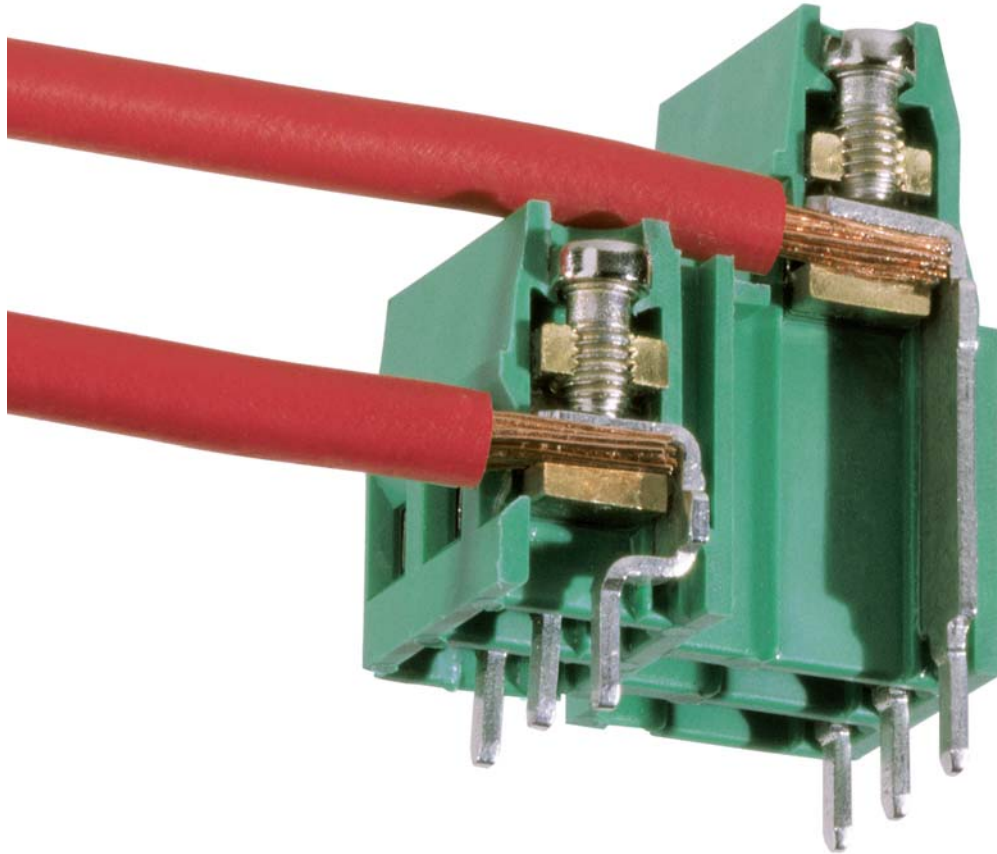
**PSM\_0M6** medium tower modular  
10.16 mm / .400" pitch

Assembled Terminal Blocks					
Poles	Code	Pcs/pack.	W [kg]*	Pcs/ind.**	W [kg]*
01	PSM010M6	250	0,66	1250	3,31
02	PSM020M6	175	0,93	1000	5,30
03	PSM030M6	110	0,87	750	5,96
04	PSM040M6	80	0,85	750	7,95
05	PSM050M6	60	0,80	500	6,63
06	PSM060M6	45	0,72	500	7,95
07	PSM070M6	35	0,65	250	4,64
08	PSM080M6	35	0,74	250	5,30
09	PSM090M6	30	0,72	250	5,96
10	PSM100M6	25	0,66	100	2,65
11	PSM110M6	25	0,73	100	2,92
12	PSM120M6	25	0,80	100	3,18
13	PSM130M6	15	0,52	100	3,45

\*W [kg]: approximate weight per box in kg

\*\*Industrial packaging: add "-00000E" at standard code





## X-ON Electronics

Largest Supplier of Electrical and Electronic Components

*Click to view similar products for [Pluggable Terminal Blocks](#) category:*

*Click to view products by [Sauro](#) manufacturer:*

Other Similar products are found below :

[57.404.7553](#) [57.504.0053.7](#) [57.510.0053](#) [57.910.6153](#) [01.112.1453](#) [CTB932VE/6](#) [MC 1.5/ 6-ST-3.5 GY AU](#) [ET02015000J0G](#) [734-104](#) [734-302](#) [734-304](#) [8-141-P](#) [FKCT 2.5/ 3-ST KMGY](#) [860505](#) [860508](#) [860516](#) [860810](#) [861908](#) [GBPACX-12](#) [93.731.4953.0](#) [PV05-5,08-K](#) [PVP02-5,00](#) [PVP04-3,50](#) [PVS02-5,00](#) [1-1986160-3](#) [H-10](#) [1546228-5](#) [ELFH09150](#) [ELFH16150](#) [ELFP03110](#) [ELFT06250](#) [ELFT07250](#) [ELVF09400](#) [ELVP03100](#) [ELXH03100](#) [ELXP041G0](#) [ELXT046G0](#) [1700101](#) [1700410](#) [1700425](#) [1703176](#) [1703243](#) [1705229](#) [1710175](#) [1714537](#) [1717806](#) [1719600](#) [1728941](#) [1729386](#) [1734692](#)