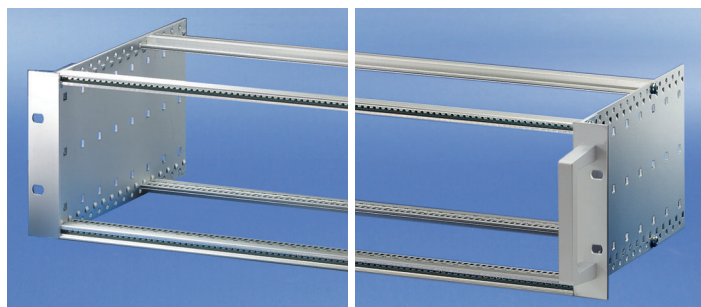


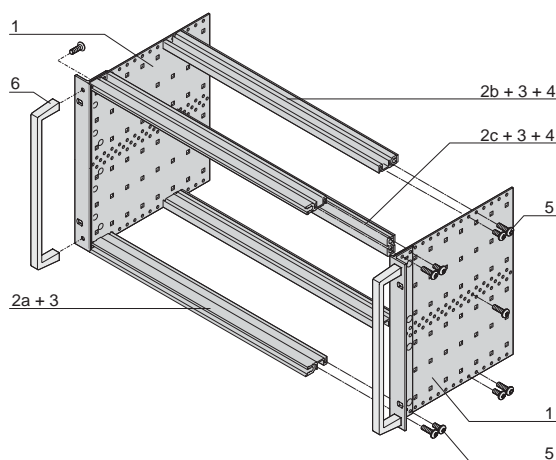
Subracks - *europac* **PRO** Kits

Kit, unshielded, 'heavy', for backplane mounting



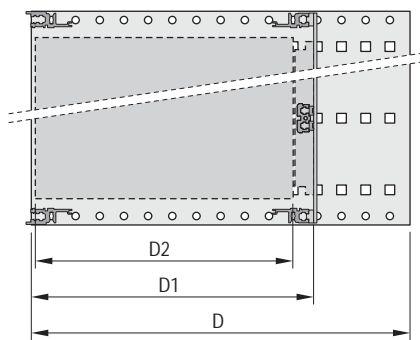
Without front handle

with front handle



6 U

06111057



D=overall depth, D1=insertion depth,
D2=board depth = D1 - 15 mm

06108051



04400001

Rear horizontal rail for backplane mounting with insulation strip

- Subrack with side panel type H ("heavy"), 19" bracket is fixed to side panel (tox-cold welded)
- Rear horizontal rail for backplane mounting with insulation strip
- Tested to German railway standard BN 411002, BN 411003
- Versions with/without front handles

NEW

Delivery comprises (Kit)

Item	Qty	Description
		3 U 6 U
1	2 2	Side panel type H, Al, 2 mm, passivated, with 19" support bracket (tox-cold welded) for EMC sealing (textile)
2a	2 2	Front horizontal rail (H-KD)
2b	2 2	Rear horizontal rail (H-ST)
2c	- 1	Rear horizontal rail centre (H-ST)
3	4 6	Threaded inserts, front and rear (pre-fitted)
4	2 4	Insulation strip (pre-fitted)
5	1 1	Fixing materials kit, user manual
6	2 2	Front handle (on version with front handle only)

Order Information

Height U	Width HP	Depth D mm	Depth D1 mm	Part no. with front handle	Part no. without front handle
3	84	175	175	24567-161	24563-161
3	84	235	175/235	24567-162	24563-162
3	84	295	175/235/295	24567-163	24563-163
3	84	355	175/235/295/355	24567-164	24563-164
6	84	175	175	24567-461	24563-461
6	84	235	175/235	24567-462	24563-462
6	84	295	175/235/295	24567-463	24563-463
6	84	355	175/235/295/355	24567-464	24563-464

Accessories

19" assembly kit (screw, washer, nut) (8 x screws, 8 x plastic washers, 8 x cage nuts) 21100-435

Guide rails (standard), ESD clips

Depth D2 mm	Qty/PU piece	Part no.
160	10	24560-351
220	10	24560-353
280	10	24560-379
340	10	24560-380
ESD clip for guide rails PU 50 pieces		24560-255

Torx Panhead screw, for extra bolting of the guide rails, 2.5 x 9.3, zinc-plated, PU 100 pieces 24560-141

Note

- Perforated rail, cover plates and assembly kit from page 6.14
- Textile EMC gaskets see page 6.24
- Further accessories from page 6.60
- ServicePLUS configuration from page 6.16



ServicePLUS see page 6.16



For further information www.schroff.biz/oneclick
OneClick search code = Part no.

X-ON Electronics

Largest Supplier of Electrical and Electronic Components

Click to view similar products for [Schroff](#) manufacturer:

Other Similar products are found below :

[13100103](#) [21006-945](#) [24563-157](#) [24827-024](#) [20848-487](#) [24566-125](#) [34561-198](#) [60817097](#) [60817071](#) [60807211](#) [60817072](#) [60817054](#)
[64560010](#) [14575271](#) [14576145](#) [14575265](#) [20117-156](#) [20817772](#) [20846211](#) [20860229](#) [21100777](#) [23022602](#) [23130082](#) [24571331](#) [24571586](#)
[24572066](#) [24822075](#) [26230-374](#) [30817-001](#) [30825080](#) [20849021](#) [21100359](#) [23001021](#) [24571303](#) [24572054](#) [34560489](#) [21006959](#) [20860-624](#) [20860-611](#) [20848496](#) [20838-111](#) [20838-116](#) [20860-612](#) [20860-628](#) [20860-633](#) [10225-602](#) [14826207](#) [10828058](#) [13100105](#) [13100136](#)