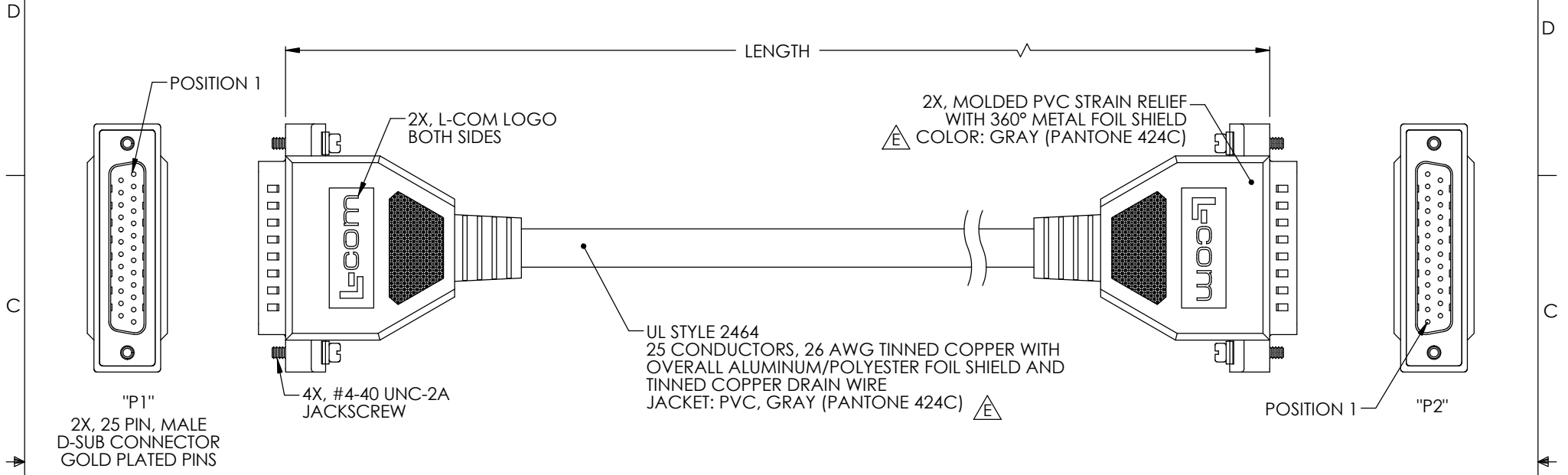


THE INFORMATION CONTAINED IN THIS DRAWING IS THE SOLE PROPERTY OF L-COM, INC. ANY REPRODUCTION IN PART OR WHOLE WITHOUT THE WRITTEN PERMISSION OF L-COM, INC. IS PROHIBITED.

RoHS Compliant ✓

REVISIONS			
REV	DESCRIPTION	DATE	APPROVED
E	ECN 6638: ADDED PANTONE #, UPDATED LOGOS	1/28/13	D. DESJARDIN



WIRING MAP					
"P1"	WIRE COLOR	"P2"	"P1"	WIRE COLOR	"P2"
1	BLACK	1	14	BROWN / WHITE	14
2	BROWN	2	15	RED / WHITE	15
3	RED	3	16	ORANGE / WHITE	16
4	ORANGE	4	17	GREEN / WHITE	17
5	YELLOW	5	18	BLUE / WHITE	18
6	GREEN	6	19	PURPLE / WHITE	19
7	BLUE	7	20	RED / BLACK	20
8	PURPLE	8	21	ORANGE / BLACK	21
9	GRAY	9	22	YELLOW / BLACK	22
10	WHITE	10	23	GREEN / BLACK	23
11	PINK	11	24	GRAY / BLACK	24
12	LIGHT GREEN	12	25	PINK / BLACK	25
13	BLACK / WHITE	13	SHELL	DRAIN WIRE	SHELL

PART NUMBER	LENGTH	
	FEET	METERS
CSM25MM-1	1.0	0.31
CSM25MM-2.5	2.5	0.76
CSM25MM-5	5.0	1.52
CSM25MM-10	10.0	3.05
CSM25MM-25	25.0	7.62

- NOTES:
- CABLE SHALL BE TESTED FOR CONTINUITY.
  - CABLE SHALL BE INDIVIDUALLY PACKAGED IN ACCORDANCE WITH L-COM SPECIFICATION PS-0031.

UNLESS OTHERWISE SPECIFIED, DIMENSIONS ARE IN INCHES [mm] OVERALL CABLE LENGTH TOLERANCE: ≤12 [305] = +1 [25] / -0 >12 [305] ≤60 [1524] = +2 [51] / -0 >60 [1524] ≤120 [3048] = +4 [102] / -0 >120 [3048] ≤300 [7620] = +6 [152] / -0 >300 [7620] = +3% / -0%	APPROVALS	DATE	 45 BEECHWOOD DRIVE NORTH ANDOVER, MA 01845			
	DRAWN BY TJC	5/21/01		CATEGORY D-SUBMINIATURE		
ALL OTHER DIMENSIONAL TOLERANCES: .X = ± .2 .XX = ± .02 .XXX = ± .005	CHECKED BY DFF	4/30/01	PRODUCT DESCRIPTION CABLE, DB25M/M MOLDED			
	APPROVED BY CM	5/2/01		<table border="1"> <tr> <td>SIZE <b>A</b></td> <td>FSCM NO. <b>43321</b></td> <td>DWG. NO. <b>CSM25MM</b></td> <td>REV. <b>E</b></td> </tr> </table>	SIZE <b>A</b>	FSCM NO. <b>43321</b>
SIZE <b>A</b>	FSCM NO. <b>43321</b>	DWG. NO. <b>CSM25MM</b>	REV. <b>E</b>			
PROJECTION 	CONFIGURATION DETAILS OF UNDIMENSIONED FEATURES MAY VARY		SCALE: NONE			
	COLOR VARIATIONS MAY OCCUR	CAD FILE: CSM25MM.SLDRW	SHEET 1 OF 1			

## X-ON Electronics

Largest Supplier of Electrical and Electronic Components

*Click to view similar products for [USB Cables / IEEE 1394 Cables](#) category:*

*Click to view products by [L-Com](#) manufacturer:*

Other Similar products are found below :

[68768-0173](#) [FNY-W6003-01](#) [88764-0800](#) [13805532](#) [148700-1](#) [17-200621](#) [17-250051P](#) [954](#) [AC102012-2](#) [IP-USB1\(C10\)S-RW](#)  
[CABLE/RTP/USB/DT](#) [10115240-12200LF](#) [RS232-GTD](#) [USBFTVX2SA2N03A](#) [USBFTV2SA2N03A](#) [1689404-1](#) [FTP-629Y401](#) [FTP-](#)  
[628Y402](#) [943301-001](#) [FNY-W6022](#) [FNY-W6003-03](#) [1310-1015-05](#) [1310-1018-04](#) [1310-1019-04](#) [0887283402](#) [UA-30AMFM-SL7B02](#) [UA-](#)  
[30AMFM-SL7B01](#) [UA-30AFM-LD7B03](#) [UA-30AMFM-SL7B03](#) [USBAPSCC7202A](#) [UES-1001A160](#) [UES-1003A160](#)  
[USBFTVX7SA2N20A](#) [USBFTVX2SA2N20A](#) [USBFTV2PEMSA2N10A](#) [FTP-629Y602](#) [USBCAMCM100](#) [USB A/F\\*2 to 2.54 2\\*5P-SH](#)  
[L=400mm](#) [EP-CBUSB10P2FLT](#) [1310-1033-01](#) [1310-1037-04](#) [ASR-USB](#) [68784-0075](#) [17-241361](#) [17-230471](#) [217B-BC02](#) [USB-29](#) [19800-](#)  
[010500-200-RS](#) [USB+MINI DIN 6P WITH BKT](#) [088738-8100](#)