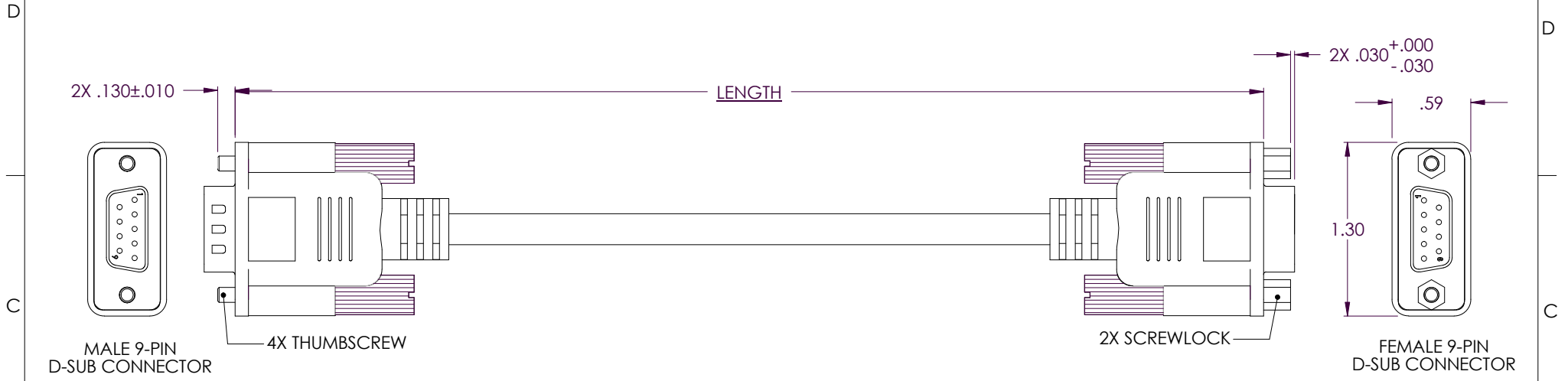


THE INFORMATION CONTAINED IN THIS DRAWING IS THE SOLE PROPERTY OF L-COM, INC. ANY REPRODUCTION IN PART OR WHOLE WITHOUT THE WRITTEN PERMISSION OF L-COM, INC. IS PROHIBITED.

REVISIONS			
REV	DESCRIPTION	DATE	APPROVED
C	CHANGED COLOR OF CONNECTOR INSULATORS TO BLACK (ECN# 1334)	3/21/03	T CLARK
D	ECN1966: 500 VAC WAS 1500VAC	2/2/05	DHP
E	ECN 2116: ADDED [2] ADDITIONAL THUMBSCREWS	6/30/05	J. KIEZULAS
F	ECN 2194: CHANGED NOTES FOR INSPECTION SHEET AND CABLE SPEC	9/7/05	J. KIEZULAS



SPECIFICATIONS:

WIRING: STRAIGHT THROUGH, PIN TO PIN, ALL PINS.

SHIELD: DRAIN WIRE TIED TO CONNECTOR SHELLS

ELECTRICAL:

VOLTAGE RATING: 30V
DIELECTRIC STRENGTH: 500VAC

MATERIALS:

CONNECTORS:

INSULATORS: THERMOPLASTIC, UL 94V-0, BLACK
CONTACTS: COPPER ALLOY, GOLD OVER NICKEL
SHELLS: STEEL, TIN PLATED

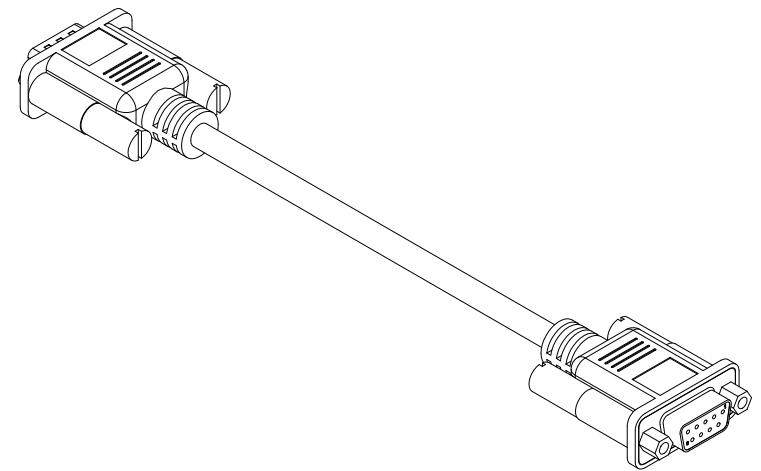
HOOD MOLDINGS: PVC, LIGHT GRAY
INTERNAL SHIELD: (360°) STEEL BOX SHIELD OVER PRE-MOLD
SOLDERED TO D-SUB SHELL

CABLE: U.L. STYLE 2919 9 CONDUCTORS 26 AWG STRANDED TINNED COPPER
OVERALL SHIELD: ALUMINIZED POLYESTER WITH DRAIN WIRE (100%) PLUS
TINNED COPPER BRAID SHIELD

JACKET: PVC, LIGHT GRAY
HARDWARE: 4-40 THREAD, STEEL OR BRASS, NICKEL PLATED

CABLE CONTAINS TWO ADDITIONAL MALE THUMBSCREWS PACKAGED
IN A SEPARATE BAG AND INSTRUCTION SHEET [CS2N-INS](#)
[\(REFERENCE L-COM CABLE SPECIFICATION CS2N-LCS\)](#)

MODEL NUMBER	LENGTH	
	(FEET)	(METERS)
CS2N9MF-2.5	2.5	0.76
CS2N9MF-5	5.0	1.52
CS2N9MF-6	6.0	1.83
CS2N9MF-10	10.0	3.05
CS2N9MF-12	12.0	3.66
CS2N9MF-15	15.0	4.57
CS2N9MF-25	25.0	7.62
CS2N9MF-50	50.0	15.24



UNLESS OTHERWISE SPECIFIED,
DIMENSIONS ARE IN INCHES
TOLERANCES ARE:
X ±.1
XX ±.05
XXX ±.005
CABLE LENGTH TOLERANCE
≤300" ±5% >300" ±2%

APPROVALS	DATE
DRAWN BY TJC	9/27/01
CHECKED BY DFP	9/28/01
APPROVED BY RC	10/4/01

CONFIGURATION DETAILS OF
UNDIMENSIONED FEATURES
MAY VARY

L-com CONNECTIVITY PRODUCTS		45 BEECHWOOD DRIVE NORTH ANDOVER, MA 01845	
PRODUCT DESCRIPTION PREMIUM MOLDED CABLE ASSEMBLY			
DRAWING TITLE OUTLINE DRAWING			
SIZE A	FSCM NO. 43321	DWG. NO. CS2N9MF-2.5-OD1	REV. F
SCALE: NONE		CAD FILE: CS2N9MF-2.5-OD1.SLDDRW	SHEET 1 OF 1

X-ON Electronics

Largest Supplier of Electrical and Electronic Components

Click to view similar products for [USB Cables / IEEE 1394 Cables](#) category:

Click to view products by [L-Com](#) manufacturer:

Other Similar products are found below :

[68768-0173](#) [FNY-W6003-01](#) [88764-0800](#) [13805532](#) [148700-1](#) [17-200621](#) [17-250051P](#) [954](#) [AC102012-2](#) [IP-USB1\(C10\)S-RW](#)
[CABLE/RTP/USB/DT](#) [10115240-12200LF](#) [RS232-GTD](#) [USBFTVX2SA2N03A](#) [USBFTV2SA2N03A](#) [1689404-1](#) [FTP-629Y401](#) [FTP-](#)
[628Y402](#) [943301-001](#) [FNY-W6022](#) [FNY-W6003-03](#) [1310-1015-05](#) [1310-1018-04](#) [1310-1019-04](#) [0887283402](#) [UA-30AMFM-SL7B02](#) [UA-](#)
[30AMFM-SL7B01](#) [UA-30AFM-LD7B03](#) [UA-30AMFM-SL7B03](#) [USBAPSCC7202A](#) [UES-1001A160](#) [UES-1003A160](#)
[USBFTVX7SA2N20A](#) [USBFTVX2SA2N20A](#) [USBFTV2PEMSA2N10A](#) [FTP-629Y602](#) [USBCAMCM100](#) [USB A/F*2 to 2.54 2*5P-SH](#)
[L=400mm](#) [EP-CBUSB10P2FLT](#) [1310-1033-01](#) [1310-1037-04](#) [ASR-USB](#) [68784-0075](#) [17-241361](#) [17-230471](#) [217B-BC02](#) [USB-29](#) [19800-](#)
[010500-200-RS](#) [USB+MINI DIN 6P WITH BKT](#) [088738-8100](#)