



GREEN ELECTRONICS



PSB

Terminal Blocks and Connectors for Printed Circuit Boards



ISO
9001



ISO
14001



BS OHSAS
18001:2007



SauRO[®]
ELECTRONIC CONNECTORS
— by the law —

Functional characteristics


Dimensional class:
low

Standard colour:
green

Heights:

 28 mm, 19 mm, 10 mm
 (1.102 in, .748 in, .394 in)

Max approved wire sections:

 solid: 1.5 mm² (IMQ); 16 AWG (UL)
 stranded: 1 mm² (IMQ); 16 AWG (UL)

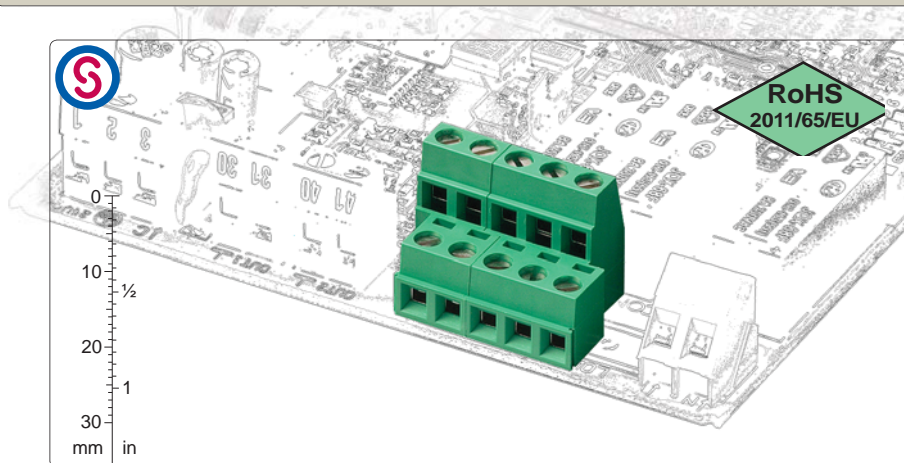
Clamp opening oize:

2.5 x 1.7 mm (.098 x .067 in)


Versions:
modular,
Single mould poles:
from 2 to 3 (Modular)

Pitches:

 metric 5 mm, 10 mm
 (.197 in, .394 in)

 imperial 5.08 mm, 10.16 mm
 (.200 in, .400 in)

 pitch 5/5.08 mm
 from 2 to 3 poles
 1st and 2nd level, modular

 pitch 5/5.08 mm
 from 2 to 3 poles
 2nd and 3rd level, modular

 pitch 5/5.08 mm
 from 2 to 3 poles
 middle tower, modular

 pitch 5/5.08 mm
 from 2 to 3 poles
 high tower, modular

 pitch 5/5.08 mm
 from 2 to 3 poles
 three levels, modular

 available accessories:
 from 2 to 9 poles
 BSC for rising clamp

Brief description

The PSB multi-level terminal block series called "PLURIMA" represents the most advanced solution as far as consistency of the wire and connections to the PCBs are concerned,

The arrangement of the poles on 2 or 3 terraced levels guarantees **maximum accessibility and good visibility of connection points.**

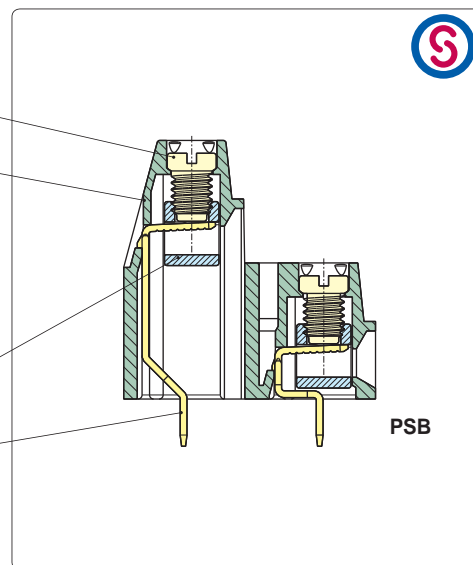
The PSB series is available in 5 mm (.197 in) and 10 mm (.394 in) metric pitches and in 5.08 mm (.200 in) and 10.16 mm (.400 in) Imperial pitches, in modular housing from 2 to 3 poles, with insertion of the wire parallel to the PCB.

The 2 or 3 level blocks can be combined, both with High and Medium Towers, and also with the MSB series in countless and different geometric configurations. By taking advantage of this particular feature a minimum quantity of basic terminal blocks can be stored.

It is simple to manage products, warehouse and the assembly in Kit packages because several versions can be obtained with only one code, so that both part-numbers and the risk of making mistakes are significantly reduced.

Components features

- M3 nickel plated copper alloy screw.
- PA 6.6 polyamide housing.
Standard colour: GREEN.
V0 self-extinguishing according to UL 94.
Chlorinated solvents resistant,
with no phosphor, dioxin or
halogens detrimental to health.
- Nickel plated copper alloy clamp
- Easy to solder lead-free
tin-plated copper alloy pin.



Mechanical features

| | |
|---------------------------------------|-------------------------------------|
| Recommended/highest tightening torque | 0.5/0.6 Nm (4.42/5.31 lbf-in) |
| PCB thickness: | max. 2.4 mm (.094 in) |
| PCB hole diameter: | min. 1.1 mm (.043 in) |
| Stripping length | 5 ÷ 6 mm (.197 ÷ .24 in) |
| Operating temperature range | -40 °C ÷ +110 °C (-40 °F ÷ +230 °F) |
| Climatic category | 40/110/21 according to EN 60068-1 |

Electrical features*

| | |
|----------------------------------------------------------|--------------------------------------------------|
| Solid wire section | 30÷16 AWG (UL)*; 0.05÷1.5 mm ² (IMQ)* |
| Stranded wire section | 30÷16 AWG (UL)*; 0.05÷1 mm ² (IMQ)* |
| Rated voltage for 5 mm (.197 in) and 5.08 mm (.200 in) | 300 V (UL)* |
| Rated voltage for 10 mm (.394 in) and 10.16 mm (.400 in) | 750 V (IMQ)* |
| Rated current | 17.5 A (IMQ)* |
| Contact resistance | <15 mΩ |
| Insulation resistance | >10 ⁹ Ω (500V DC) |

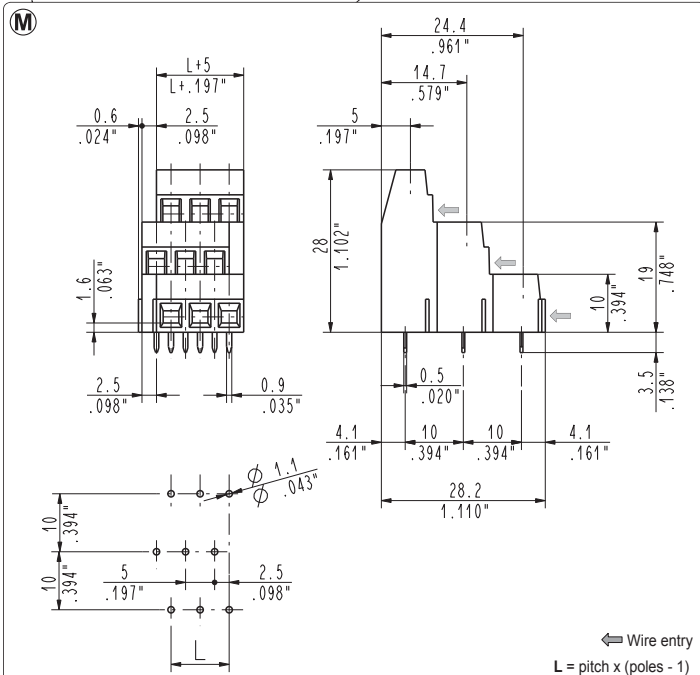
*All the a.m. data refer to the highest values amongst the certified ones.

V voltage, I current values and tightening torque are related to the norms to be applied to the product and to its use.

Approvals

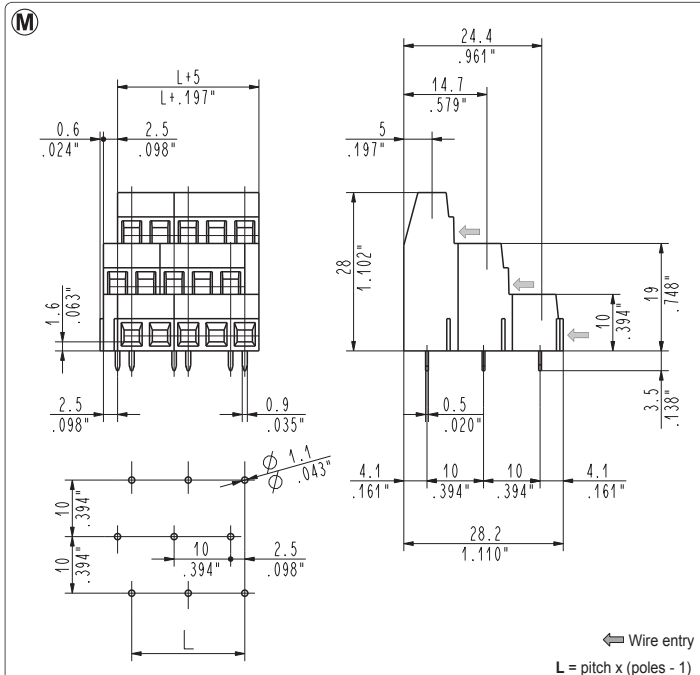
| | | |
|--------|------------------|-----------------------------------------------------------------------------------------------------------------------|
| IEC-EN | IEC: | 250 V - T 110 - 17.5 A - 1.5 mm ² solid (13.5 A - 1 mm ² stranded) for 5 mm and 5.08 mm pitch |
| | EN 60998 | 750 V - T 110 - 17.5 A - 1.5 mm ² solid (13.5 A - 1 mm ² stranded) for 10 mm and 10.16 mm pitch |
| UL | UL: | 300 V - 13.5 A (factory wiring), 10A (field wiring)- 30÷16 AWG - 6 lbf-in for 5 mm, 5.08 mm |
| | File E167473 | 600 V - 13.5 A (factory wiring), 10A (field wiring)- 30÷16 AWG - 6 lbf-in for 10 mm and 10.16 mm pitch |
| | | Application values for end-use equipment have to be in accordance to UL norms and applicable to it. |
| VDE | VDE: | 250 V - 13.5 A (10 A for "T" and "K" versions) - T 110 - 1 mm ² for 5 mm and 5.08 mm pitch |
| | File n. 40022744 | 750 V - 13.5 A - T 110 - 1 mm ² for 10 mm and 10.16 mm pitch |
| IMQ | IMQ: | 250 V - T 110 - 17.5 A - 1.5 mm ² solid (13.5 A - 1 mm ² stranded) for 5 mm and 5.08 mm pitch |
| | File: ED624 | 750 V - T 110 - 17.5 A - 1.5 mm ² solid (13.5 A - 1 mm ² stranded) for 10 mm and 10.16 mm pitch |

See also "Certifications of Products", page 14



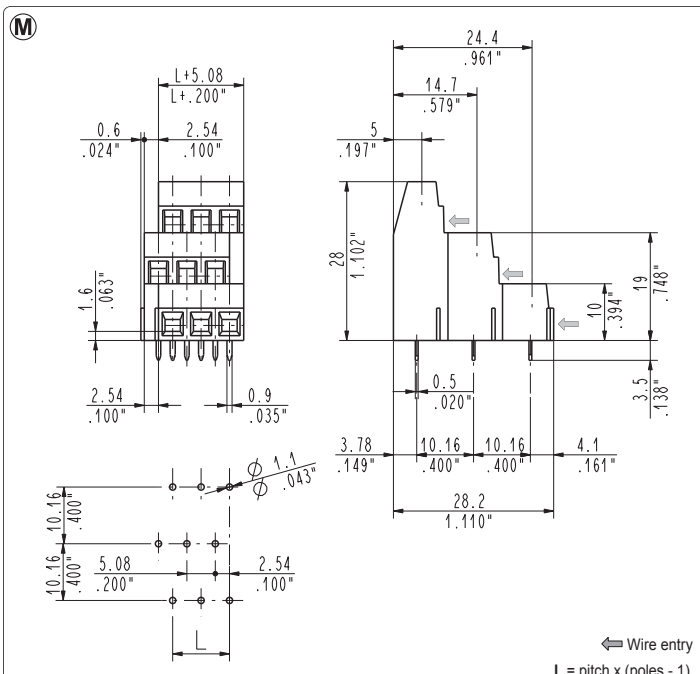
PSB_0T1 3 levels modular
5 mm / .197" pitch

| Single Mould Terminal Blocks | | | | | |
|------------------------------|----------|-----------|---------|------------|---------|
| Poles | Code | Pcs/pack. | W [kg]* | Pcs/ind.** | W [kg]* |
| 02 | PSB020T1 | 75 | 0,57 | 500 | 3,78 |
| 03 | PSB030T1 | 50 | 0,57 | 500 | 5,67 |
| | | | | | |
| | | | | | |
| | | | | | |
| | | | | | |
| | | | | | |
| | | | | | |
| | | | | | |



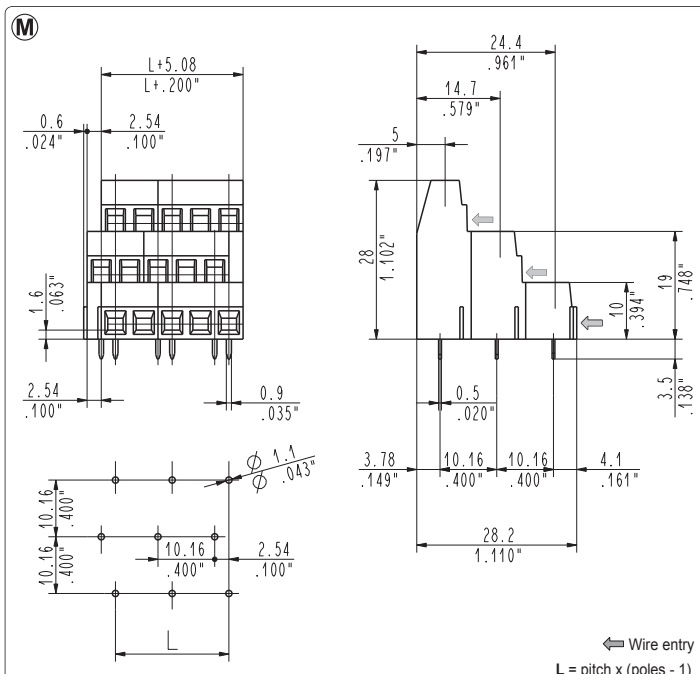
PSB_0T2 3 levels modular
10 mm / .394" pitch

| Assembled Terminal Blocks | | | | | |
|---------------------------|----------|-----------|---------|------------|---------|
| Poles | Code | Pcs/pack. | W [kg]* | Pcs/ind.** | W [kg]* |
| 01 | PSB010T2 | 75 | 0,34 | 500 | 2,30 |
| 02 | PSB020T2 | 50 | 0,46 | 500 | 4,59 |
| 03 | PSB030T2 | 55 | 0,76 | 250 | 3,44 |
| 04 | PSB040T2 | 40 | 0,73 | 250 | 4,59 |
| 05 | PSB050T2 | 30 | 0,69 | 150 | 3,44 |
| 06 | PSB060T2 | 20 | 0,55 | 100 | 2,75 |
| 07 | PSB070T2 | 15 | 0,48 | 75 | 2,41 |
| 08 | PSB080T2 | 15 | 0,55 | 75 | 2,75 |
| 09 | PSB090T2 | 10 | 0,41 | 50 | 2,07 |
| 10 | PSB100T2 | 10 | 0,46 | 50 | 2,30 |
| 11 | PSB110T2 | 10 | 0,51 | 50 | 2,52 |
| 12 | PSB120T2 | 10 | 0,55 | 50 | 2,75 |
| 13 | PSB130T2 | 8 | 0,48 | 50 | 2,98 |



PSB_0T5 3 levels modular
5.08 mm / .200" pitch

| Single Mould Terminal Blocks | | | | | |
|------------------------------|----------|-----------|---------|------------|---------|
| Poles | Code | Pcs/pack. | W [kg]* | Pcs/ind.** | W [kg]* |
| 02 | PSB020T5 | 75 | 0,59 | 500 | 3,78 |
| 03 | PSB030T5 | 50 | 0,59 | 500 | 5,67 |
| | | | | | |
| | | | | | |
| | | | | | |
| | | | | | |
| | | | | | |
| | | | | | |
| | | | | | |
| | | | | | |

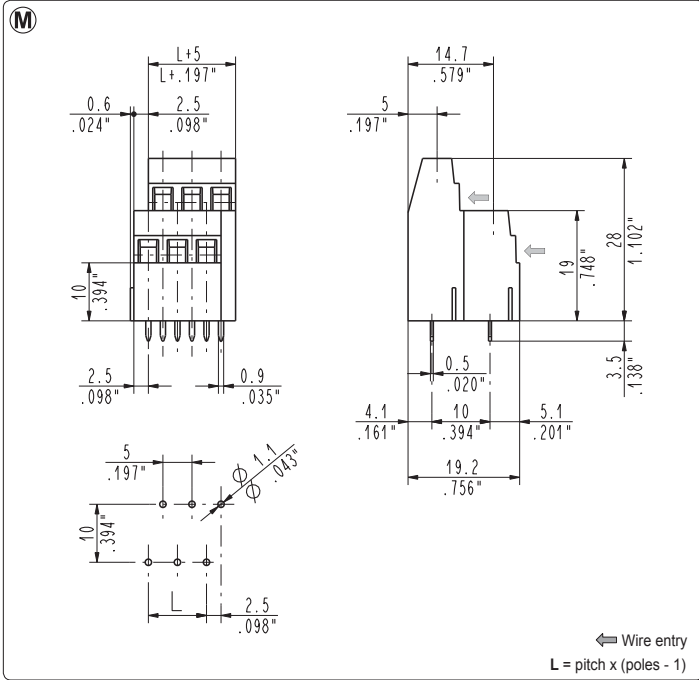


PSB_0T6 3 levels modular
10.16 mm / .400" pitch

| Assembled Terminal Blocks | | | | | |
|---------------------------|----------|-----------|---------|------------|---------|
| Poles | Code | Pcs/pack. | W [kg]* | Pcs/ind.** | W [kg]* |
| 01 | PSB010T6 | 75 | 0,34 | 500 | 2,30 |
| 02 | PSB020T6 | 50 | 0,46 | 500 | 4,59 |
| 03 | PSB030T6 | 55 | 0,76 | 250 | 3,44 |
| 04 | PSB040T6 | 40 | 0,73 | 250 | 4,59 |
| 05 | PSB050T6 | 30 | 0,69 | 150 | 3,44 |
| 06 | PSB060T6 | 20 | 0,55 | 100 | 2,75 |
| 07 | PSB070T6 | 15 | 0,48 | 75 | 2,41 |
| 08 | PSB080T6 | 15 | 0,55 | 75 | 2,75 |
| 09 | PSB090T6 | 10 | 0,41 | 50 | 2,07 |
| 10 | PSB100T6 | 10 | 0,46 | 50 | 2,30 |
| 11 | PSB110T6 | 10 | 0,51 | 50 | 2,52 |
| 12 | PSB120T6 | 10 | 0,55 | 50 | 2,75 |
| 13 | PSB130T6 | 8 | 0,48 | 50 | 2,98 |

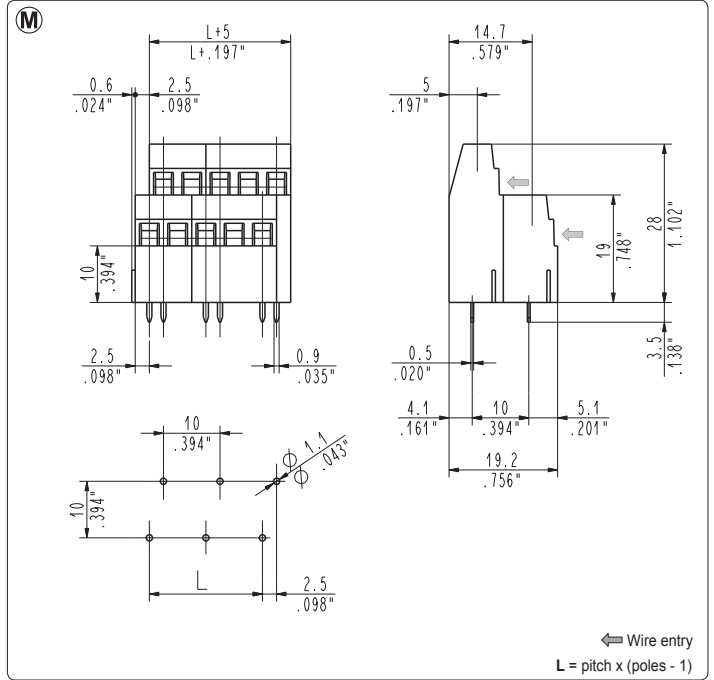
*W [kg]: approximate weight per box in kg

**Industrial packaging: add "-00000E" at standard code



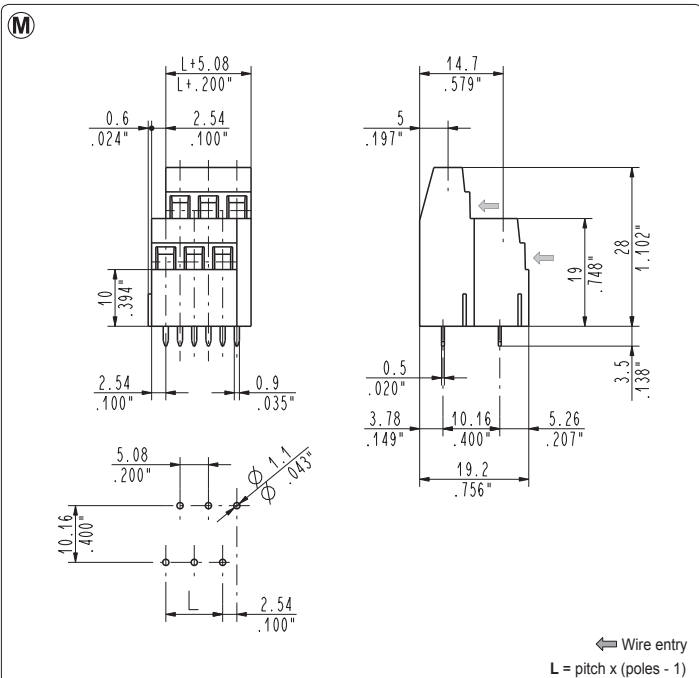
PSB_0K1 2nd & 3rd levels modular
5 mm / .197" pitch

| Single Mould Terminal Blocks | | | | | |
|------------------------------|----------|-----------|---------|------------|---------|
| Poles | Code | Pcs/pack. | W [kg]* | Pcs/ind.** | W [kg]* |
| 02 | PSB020K1 | 100 | 0,56 | 500 | 2,79 |
| 03 | PSB030K1 | 75 | 0,63 | 500 | 4,18 |



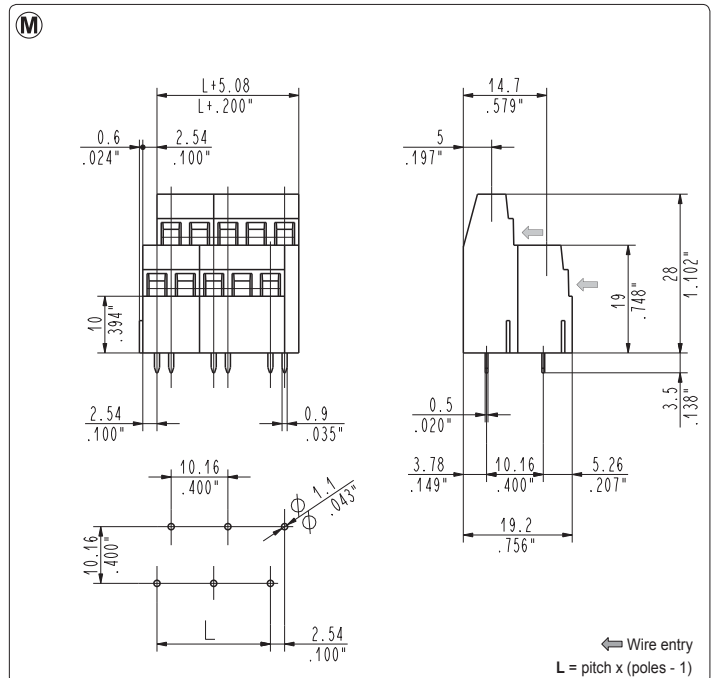
PSB_0K2 2nd & 3rd levels modular
10 mm / .394" pitch

| Assembled Terminal Blocks | | | | | |
|---------------------------|----------|-----------|---------|------------|---------|
| Poles | Code | Pcs/pack. | W [kg]* | Pcs/ind.** | W [kg]* |
| 01 | PSB010K2 | 100 | 0,34 | 500 | 1,71 |
| 02 | PSB020K2 | 75 | 0,51 | 500 | 3,42 |
| 03 | PSB030K2 | 80 | 0,82 | 250 | 2,57 |
| 04 | PSB040K2 | 60 | 0,82 | 250 | 3,42 |
| 05 | PSB050K2 | 45 | 0,77 | 150 | 2,57 |
| 06 | PSB060K2 | 35 | 0,72 | 100 | 2,05 |
| 07 | PSB070K2 | 25 | 0,60 | 75 | 1,80 |
| 08 | PSB080K2 | 25 | 0,68 | 75 | 2,05 |
| 09 | PSB090K2 | 15 | 0,46 | 50 | 1,54 |
| 10 | PSB100K2 | 15 | 0,51 | 50 | 1,71 |
| 11 | PSB110K2 | 15 | 0,56 | 50 | 1,88 |
| 12 | PSB120K2 | 15 | 0,62 | 50 | 2,05 |
| 13 | PSB130K2 | 10 | 0,44 | 50 | 2,22 |



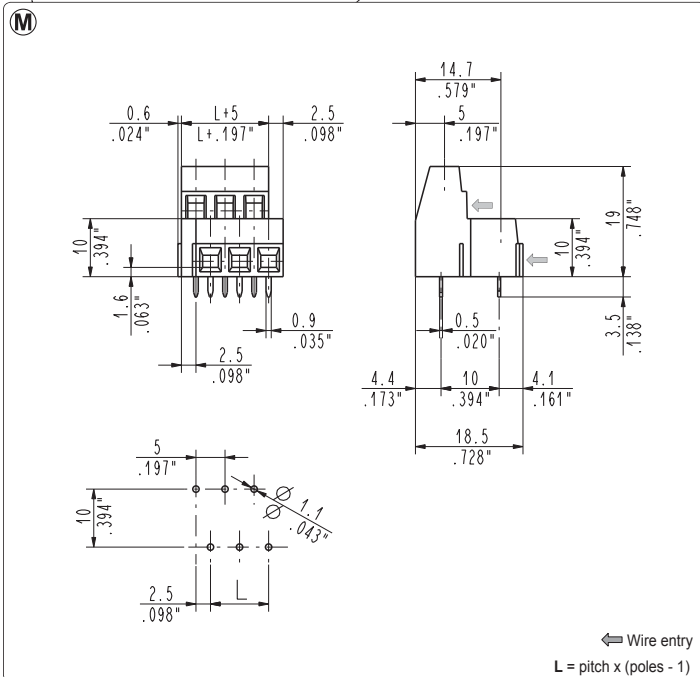
PSB_0K5 2nd & 3rd levels modular
5.08 mm / .200" pitch

| Single Mould Terminal Blocks | | | | | |
|------------------------------|----------|-----------|---------|------------|---------|
| Poles | Code | Pcs/pack. | W [kg]* | Pcs/ind.** | W [kg]* |
| 02 | PSB020K5 | 100 | 0,56 | 500 | 2,79 |
| 03 | PSB030K5 | 75 | 0,63 | 500 | 4,18 |



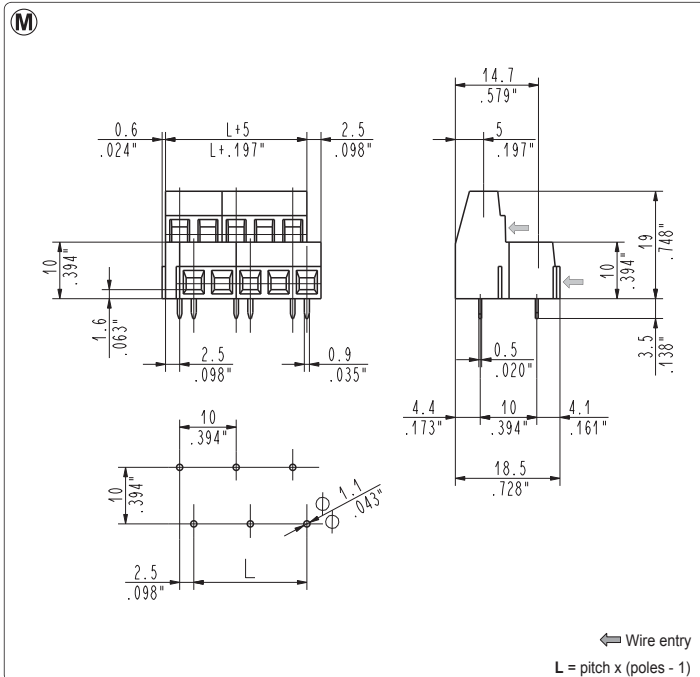
PSB_0K6 2nd & 3rd levels modular
10.16 mm / .400" pitch

| Assembled Terminal Blocks | | | | | |
|---------------------------|----------|-----------|---------|------------|---------|
| Poles | Code | Pcs/pack. | W [kg]* | Pcs/ind.** | W [kg]* |
| 01 | PSB010K6 | 100 | 0,34 | 500 | 1,71 |
| 02 | PSB020K6 | 75 | 0,51 | 500 | 3,42 |
| 03 | PSB030K6 | 80 | 0,82 | 250 | 2,57 |
| 04 | PSB040K6 | 60 | 0,82 | 250 | 3,42 |
| 05 | PSB050K6 | 45 | 0,77 | 150 | 2,57 |
| 06 | PSB060K6 | 35 | 0,72 | 100 | 2,05 |
| 07 | PSB070K6 | 25 | 0,60 | 75 | 1,80 |
| 08 | PSB080K6 | 25 | 0,68 | 75 | 2,05 |
| 09 | PSB090K6 | 15 | 0,46 | 50 | 1,54 |
| 10 | PSB100K6 | 15 | 0,51 | 50 | 1,71 |
| 11 | PSB110K6 | 15 | 0,56 | 50 | 1,88 |
| 12 | PSB120K6 | 15 | 0,62 | 50 | 2,05 |
| 13 | PSB130K6 | 10 | 0,44 | 50 | 2,22 |



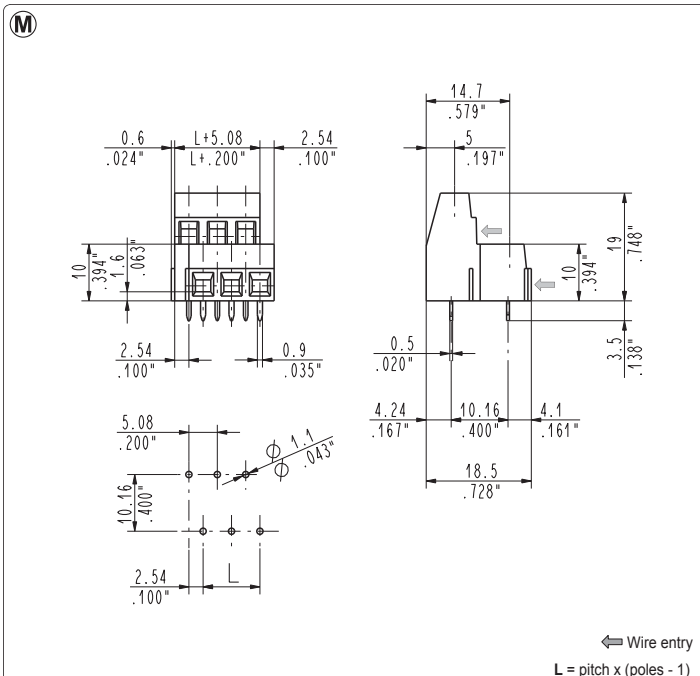
PSB_0D1 1st & 2nd levels modular
5 mm / .197" pitch

| Single Mould Terminal Blocks | | | | | |
|------------------------------|----------|-----------|---------|------------|---------|
| Poles | Code | Pcs/pack. | W [kg]* | Pcs/ind.** | W [kg]* |
| 02 | PSB020D1 | 200 | 0,88 | 750 | 3,28 |
| 03 | PSB030D1 | 125 | 0,82 | 500 | 3,28 |
| | | | | | |
| | | | | | |
| | | | | | |
| | | | | | |
| | | | | | |
| | | | | | |
| | | | | | |
| | | | | | |



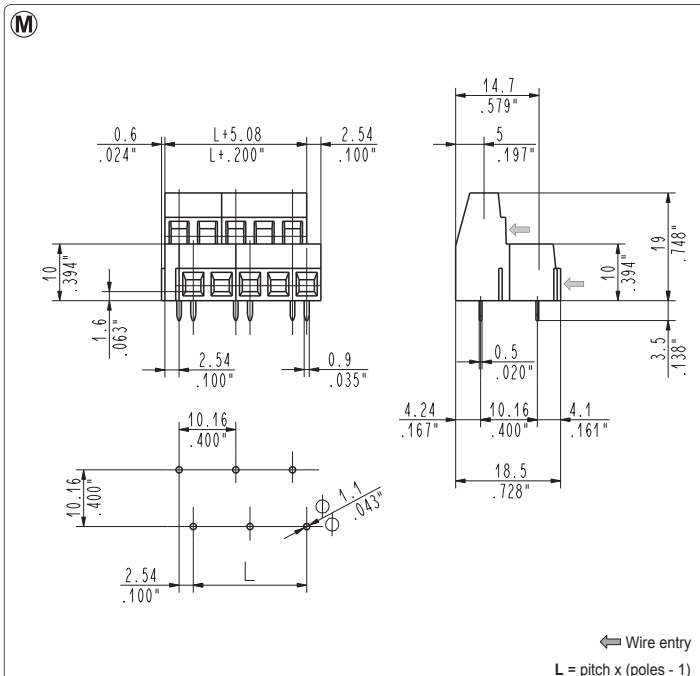
PSB_0D2 1st & 2nd levels modular
10 mm / .394" pitch

| Assembled Terminal Blocks | | | | | |
|---------------------------|----------|-----------|---------|------------|---------|
| Poles | Code | Pcs/pack. | W [kg]* | Pcs/ind.** | W [kg]* |
| 01 | PSB010D2 | 200 | 0,53 | 750 | 1,97 |
| 02 | PSB020D2 | 125 | 0,66 | 750 | 3,94 |
| 03 | PSB030D2 | 80 | 0,63 | 500 | 3,94 |
| 04 | PSB040D2 | 60 | 0,63 | 500 | 5,26 |
| 05 | PSB050D2 | 45 | 0,59 | 250 | 3,29 |
| 06 | PSB060D2 | 35 | 0,55 | 250 | 3,95 |
| 07 | PSB070D2 | 25 | 0,46 | 150 | 2,76 |
| 08 | PSB080D2 | 25 | 0,53 | 150 | 3,16 |
| 09 | PSB090D2 | 20 | 0,47 | 100 | 2,37 |
| 10 | PSB100D2 | 20 | 0,53 | 100 | 2,63 |
| 11 | PSB110D2 | 20 | 0,58 | 100 | 2,89 |
| 12 | PSB120D2 | 20 | 0,63 | 100 | 3,16 |
| 13 | PSB130D2 | 10 | 0,34 | 100 | 3,42 |



PSB_0D5 1st & 2nd levels modular
5.08 mm / .200" pitch

| Single Mould Terminal Blocks | | | | | |
|------------------------------|----------|-----------|---------|------------|---------|
| Poles | Code | Pcs/pack. | W [kg]* | Pcs/ind.** | W [kg]* |
| 02 | PSB020D5 | 200 | 0,88 | 750 | 3,28 |
| 03 | PSB030D5 | 125 | 0,82 | 500 | 3,28 |
| | | | | | |
| | | | | | |
| | | | | | |
| | | | | | |
| | | | | | |
| | | | | | |
| | | | | | |
| | | | | | |

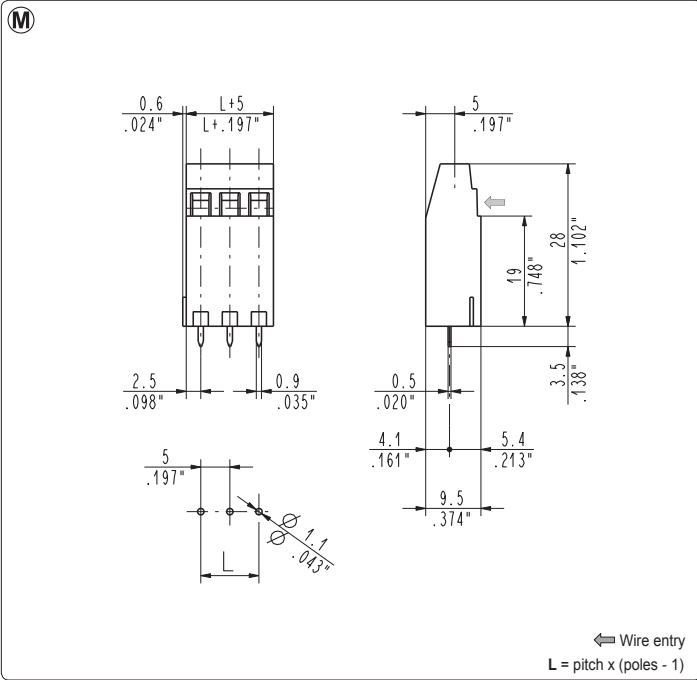


PSB_0D6 1st & 2nd levels modular
10.16 mm / .400" pitch

| Assembled Terminal Blocks | | | | | |
|---------------------------|----------|-----------|---------|------------|---------|
| Poles | Code | Pcs/pack. | W [kg]* | Pcs/ind.** | W [kg]* |
| 01 | PSB010D6 | 200 | 0,53 | 750 | 1,97 |
| 02 | PSB020D6 | 125 | 0,66 | 750 | 3,94 |
| 03 | PSB030D6 | 80 | 0,63 | 500 | 3,94 |
| 04 | PSB040D6 | 60 | 0,63 | 500 | 5,26 |
| 05 | PSB050D6 | 45 | 0,59 | 250 | 3,29 |
| 06 | PSB060D6 | 35 | 0,55 | 250 | 3,95 |
| 07 | PSB070D6 | 25 | 0,46 | 150 | 2,76 |
| 08 | PSB080D6 | 25 | 0,53 | 150 | 3,16 |
| 09 | PSB090D6 | 20 | 0,47 | 100 | 2,37 |
| 10 | PSB100D6 | 20 | 0,53 | 100 | 2,63 |
| 11 | PSB110D6 | 20 | 0,58 | 100 | 2,89 |
| 12 | PSB120D6 | 20 | 0,63 | 100 | 3,16 |
| 13 | PSB130D6 | 10 | 0,34 | 100 | 3,42 |

*W [kg]: approximate weight per box in kg

**Industrial packaging: add "-00000E" at standard code

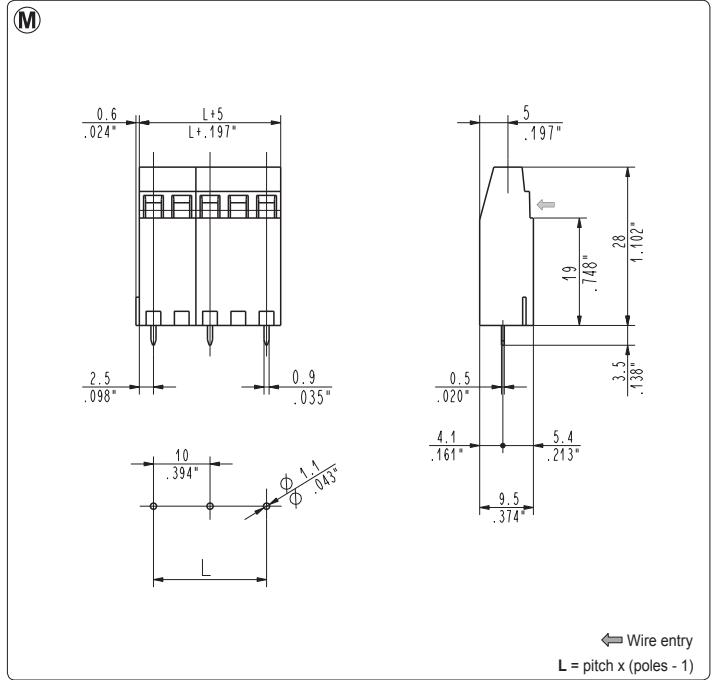


PSB_0H1 high tower modular

5 mm / .197" pitch

Single Mould Terminal Blocks

| Poles | Code | Pcs/pack. | W [kg]* | Pcs/ind.** | W [kg]* |
|-------|----------|-----------|---------|------------|---------|
| 02 | PSB020H1 | 250 | 0,79 | 1000 | 3,18 |
| 03 | PSB030H1 | 125 | 0,60 | 750 | 3,58 |

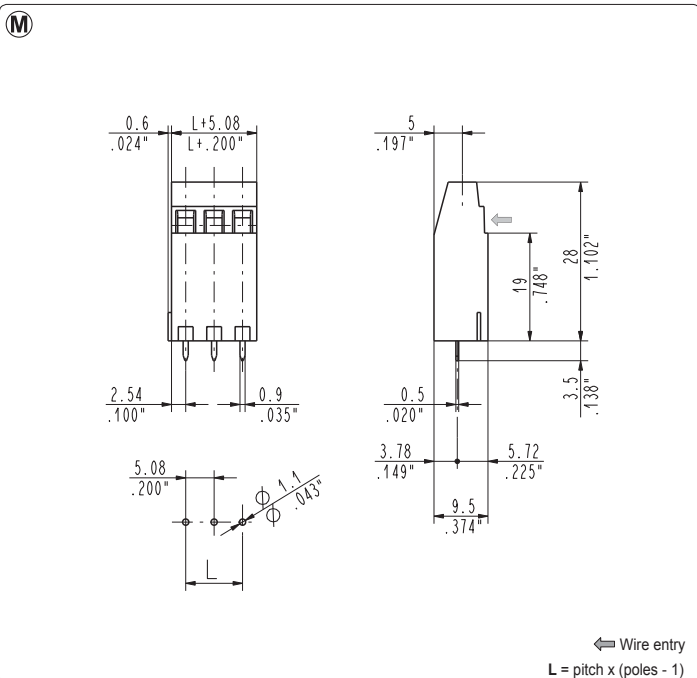


PSB_0H2 high tower modular

10 mm / .394" pitch

Assembled Terminal Blocks

| Poles | Code | Pcs/pack. | W [kg]* | Pcs/ind.** | W [kg]* |
|-------|----------|-----------|---------|------------|---------|
| 01 | PSB010H2 | 250 | 0,49 | 1000 | 1,96 |
| 02 | PSB020H2 | 125 | 0,49 | 750 | 2,94 |
| 03 | PSB030H2 | 110 | 0,65 | 750 | 4,41 |
| 04 | PSB040H2 | 80 | 0,63 | 750 | 5,88 |
| 05 | PSB050H2 | 60 | 0,59 | 500 | 4,90 |
| 06 | PSB060H2 | 45 | 0,53 | 500 | 5,88 |
| 07 | PSB070H2 | 35 | 0,48 | 250 | 3,43 |
| 08 | PSB080H2 | 35 | 0,55 | 250 | 3,92 |
| 09 | PSB090H2 | 30 | 0,53 | 150 | 2,65 |
| 10 | PSB100H2 | 25 | 0,49 | 150 | 2,94 |
| 11 | PSB110H2 | 25 | 0,54 | 100 | 2,16 |
| 12 | PSB120H2 | 25 | 0,59 | 100 | 2,35 |
| 13 | PSB130H2 | 15 | 0,38 | 100 | 2,55 |

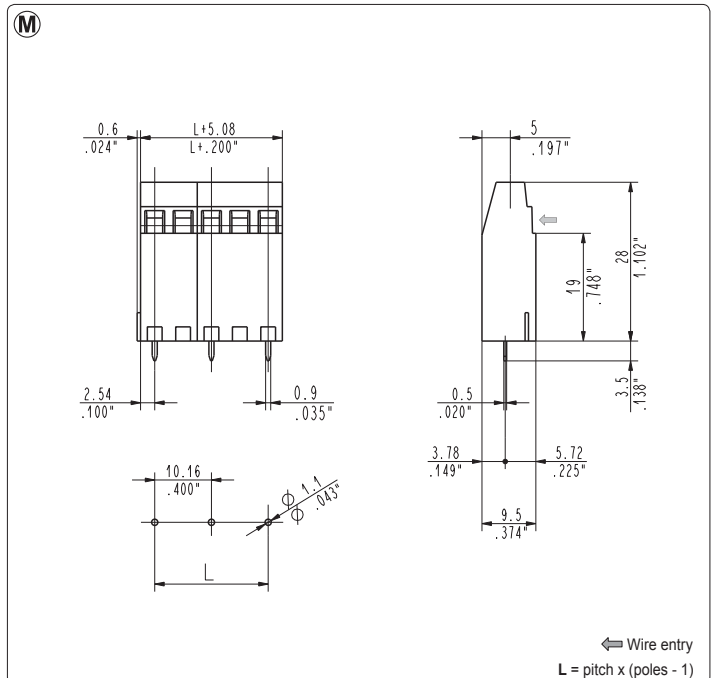


PSB_0H5 high tower modular

5.08 mm / .200" pitch

Single Mould Terminal Blocks

| Poles | Code | Pcs/pack. | W [kg]* | Pcs/ind.** | W [kg]* |
|-------|----------|-----------|---------|------------|---------|
| 02 | PSB020H5 | 250 | 0,79 | 1000 | 3,18 |
| 03 | PSB030H5 | 125 | 0,60 | 750 | 3,58 |

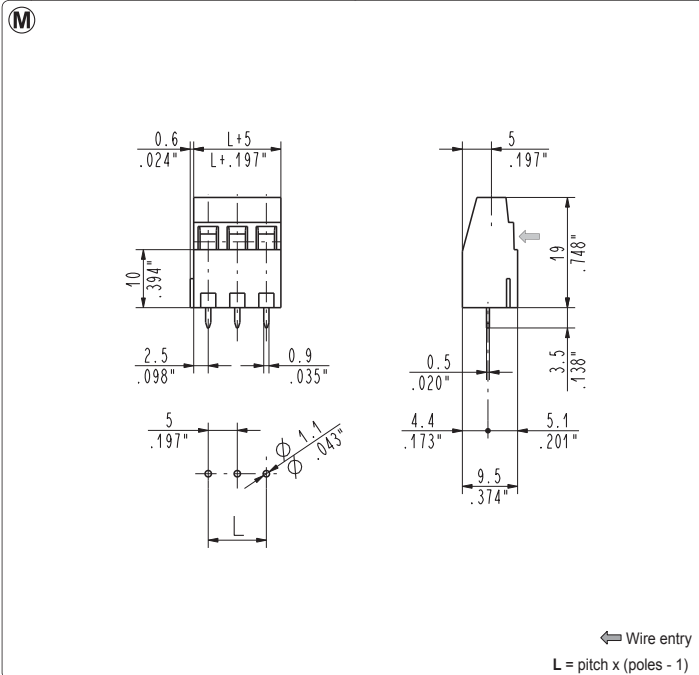


PSB_0H6 high tower modular

10.16 mm / .400" pitch

Assembled Terminal Blocks

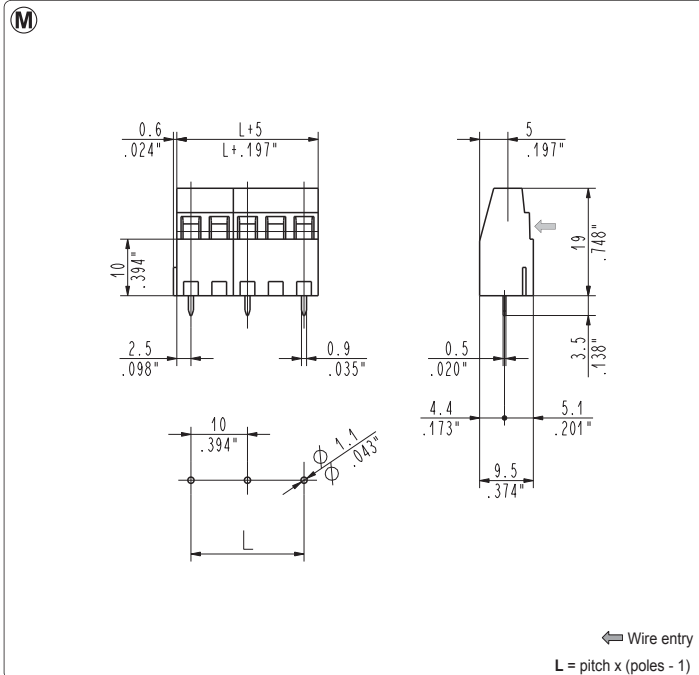
| Poles | Code | Pcs/pack. | W [kg]* | Pcs/ind.** | W [kg]* |
|-------|----------|-----------|---------|------------|---------|
| 01 | PSB010H6 | 250 | 0,49 | 1000 | 1,96 |
| 02 | PSB020H6 | 125 | 0,49 | 750 | 2,94 |
| 03 | PSB030H6 | 110 | 0,65 | 750 | 4,41 |
| 04 | PSB040H6 | 80 | 0,63 | 750 | 5,88 |
| 05 | PSB050H6 | 60 | 0,59 | 500 | 4,90 |
| 06 | PSB060H6 | 45 | 0,53 | 500 | 5,88 |
| 07 | PSB070H6 | 35 | 0,48 | 250 | 3,43 |
| 08 | PSB080H6 | 35 | 0,55 | 250 | 3,92 |
| 09 | PSB090H6 | 30 | 0,53 | 150 | 2,65 |
| 10 | PSB100H6 | 25 | 0,49 | 150 | 2,94 |
| 11 | PSB110H6 | 25 | 0,54 | 100 | 2,16 |
| 12 | PSB120H6 | 25 | 0,59 | 100 | 2,35 |
| 13 | PSB130H6 | 15 | 0,38 | 100 | 2,55 |



Wire entry
L = pitch x (poles - 1)

PSB_0M1 medium tower modular
5.00 mm / .197" pitch

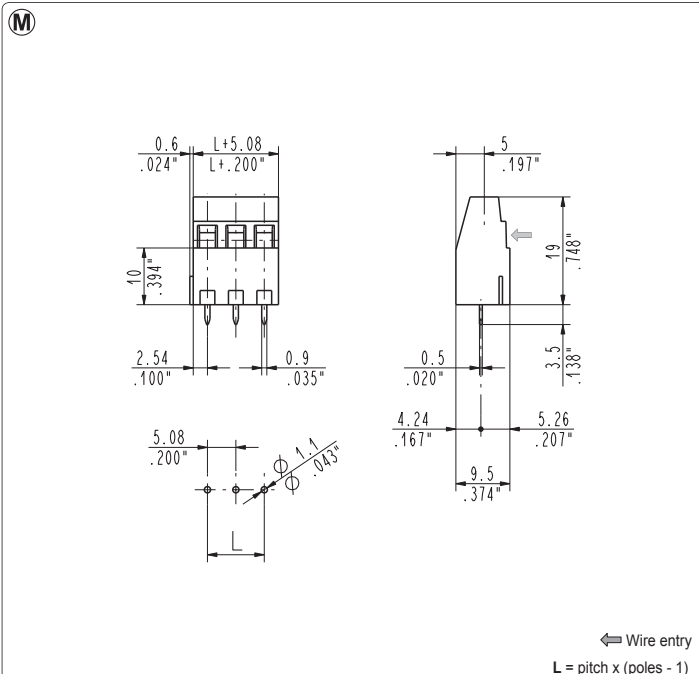
| Single Mould Terminal Blocks | | | | | |
|------------------------------|----------|-----------|---------|------------|---------|
| Poles | Code | Pcs/pack. | W [kg]* | Pcs/ind.** | W [kg]* |
| 02 | PSB020M1 | 400 | 0,96 | 1250 | 3,13 |
| 03 | PSB030M1 | 250 | 0,90 | 1000 | 3,76 |
| 04 | PSB040M1 | 190 | 0,95 | 750 | 3,76 |
| 05 | PSB050M1 | 165 | 1,03 | 750 | 4,70 |
| 06 | PSB060M1 | 140 | 1,05 | 750 | 5,63 |
| 07 | PSB070M1 | 120 | 1,05 | 750 | 6,57 |
| 08 | PSB080M1 | 95 | 0,95 | 500 | 5,01 |



Wire entry
L = pitch x (poles - 1)

PSB_0M2 medium tower modular
10 mm / .394" pitch

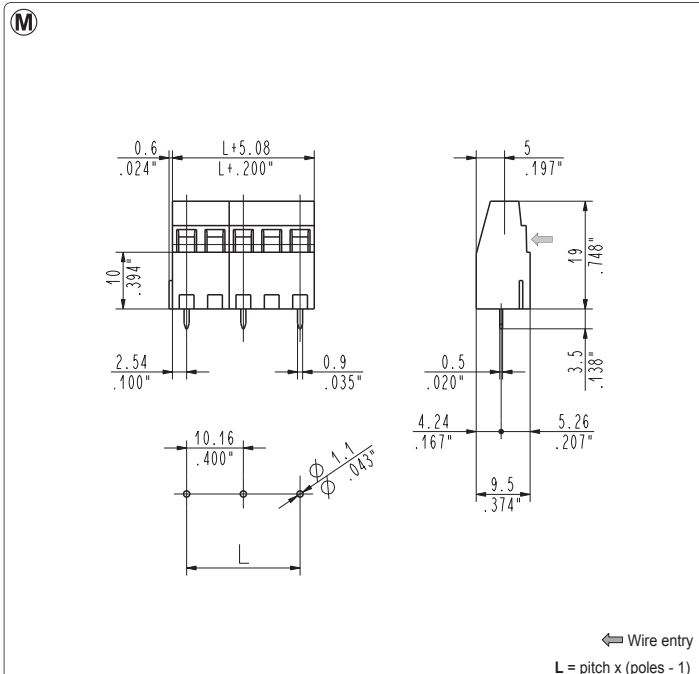
| Assembled Terminal Blocks | | | | | |
|---------------------------|----------|-----------|---------|------------|---------|
| Poles | Code | Pcs/pack. | W [kg]* | Pcs/ind.** | W [kg]* |
| 01 | PSB010M2 | 400 | 0,58 | 1250 | 1,83 |
| 02 | PSB020M2 | 250 | 0,73 | 1000 | 2,92 |
| 03 | PSB030M2 | 165 | 0,72 | 750 | 3,29 |
| 04 | PSB040M2 | 120 | 0,70 | 750 | 4,38 |
| 05 | PSB050M2 | 95 | 0,69 | 500 | 3,65 |
| 06 | PSB060M2 | 70 | 0,61 | 500 | 4,38 |
| 07 | PSB070M2 | 50 | 0,51 | 250 | 2,56 |
| 08 | PSB080M2 | 50 | 0,58 | 250 | 2,92 |
| 09 | PSB090M2 | 45 | 0,59 | 150 | 1,97 |
| 10 | PSB100M2 | 30 | 0,44 | 150 | 2,19 |
| 11 | PSB110M2 | 30 | 0,48 | 100 | 1,61 |
| 12 | PSB120M2 | 30 | 0,53 | 100 | 1,75 |
| 13 | PSB130M2 | 25 | 0,47 | 100 | 1,90 |



Wire entry
L = pitch x (poles - 1)

PSB_0M5 medium tower modular
5.08 mm / .200" pitch

| Single Mould Terminal Blocks | | | | | |
|------------------------------|----------|-----------|---------|------------|---------|
| Poles | Code | Pcs/pack. | W [kg]* | Pcs/ind.** | W [kg]* |
| 02 | PSB020M5 | 400 | 0,96 | 1250 | 3,13 |
| 03 | PSB030M5 | 250 | 0,90 | 1000 | 3,76 |
| 04 | PSB040M5 | 190 | 0,95 | 750 | 3,76 |
| 05 | PSB050M5 | 165 | 1,03 | 750 | 4,70 |
| 06 | PSB060M5 | 140 | 1,05 | 750 | 5,63 |
| 07 | PSB070M5 | 120 | 1,05 | 750 | 6,57 |
| 08 | PSB080M5 | 95 | 0,95 | 500 | 5,01 |



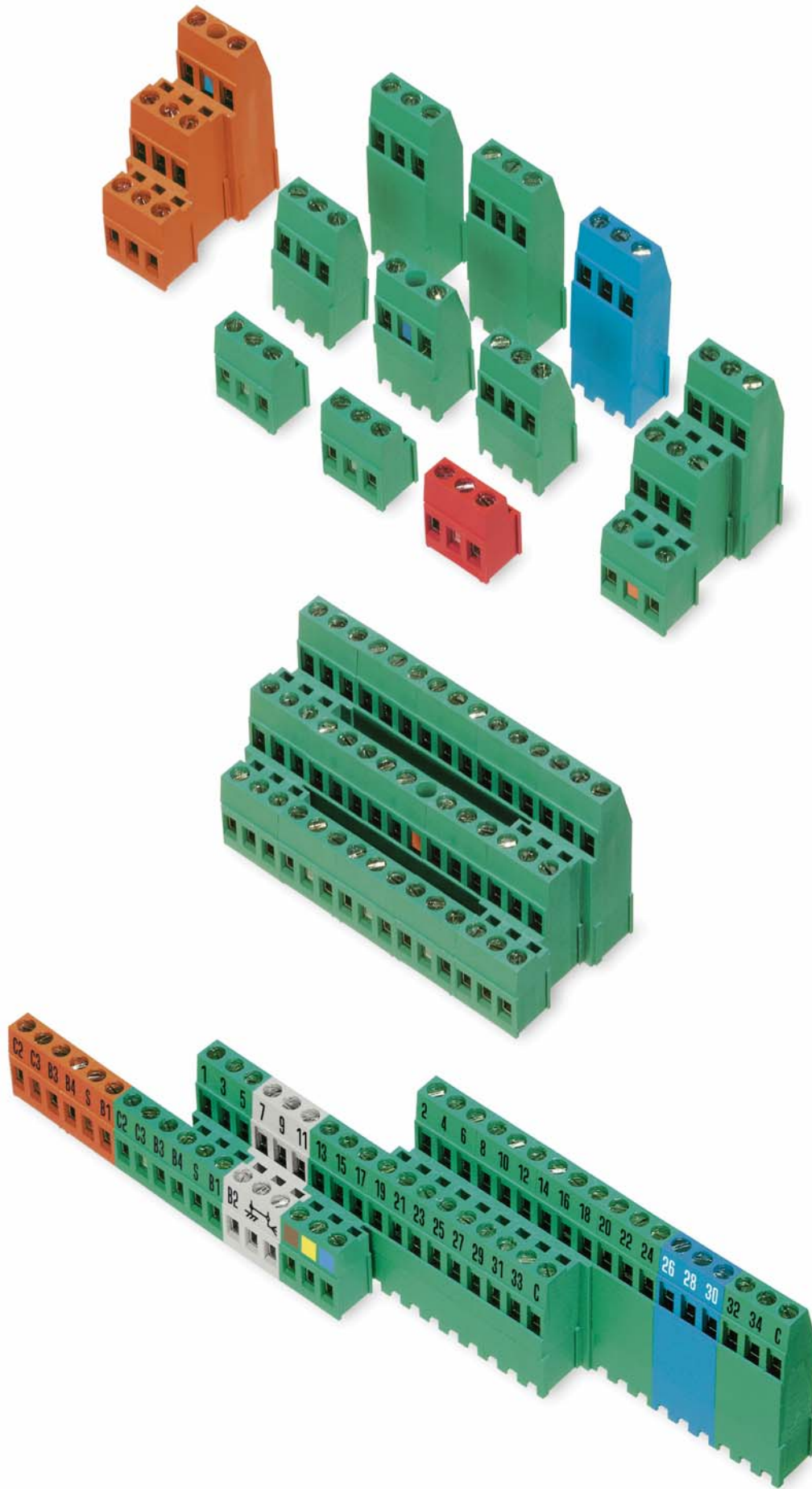
Wire entry
L = pitch x (poles - 1)

PSB_0M6 medium tower modular
10.16 mm / .400" pitch

| Assembled Terminal Blocks | | | | | |
|---------------------------|----------|-----------|---------|------------|---------|
| Poles | Code | Pcs/pack. | W [kg]* | Pcs/ind.** | W [kg]* |
| 01 | PSB010M6 | 400 | 0,58 | 1250 | 1,83 |
| 02 | PSB020M6 | 250 | 0,73 | 1000 | 2,92 |
| 03 | PSB030M6 | 165 | 0,72 | 750 | 3,29 |
| 04 | PSB040M6 | 120 | 0,70 | 750 | 4,38 |
| 05 | PSB050M6 | 95 | 0,69 | 500 | 3,65 |
| 06 | PSB060M6 | 70 | 0,61 | 500 | 4,38 |
| 07 | PSB070M6 | 50 | 0,51 | 250 | 2,56 |
| 08 | PSB080M6 | 50 | 0,58 | 250 | 2,92 |
| 09 | PSB090M6 | 45 | 0,59 | 150 | 1,97 |
| 10 | PSB100M6 | 30 | 0,44 | 150 | 2,19 |
| 11 | PSB110M6 | 30 | 0,48 | 100 | 1,61 |
| 12 | PSB120M6 | 30 | 0,53 | 100 | 1,75 |
| 13 | PSB130M6 | 25 | 0,47 | 100 | 1,90 |

*W [kg]: approximate weight per box in kg

**Industrial packaging: add "-00000E" at standard code



X-ON Electronics

Largest Supplier of Electrical and Electronic Components

Click to view similar products for [Pluggable Terminal Blocks](#) category:

Click to view products by [Sauro](#) manufacturer:

Other Similar products are found below :

[57.404.7553](#) [57.504.0053.7](#) [57.510.0053](#) [57.910.6153](#) [01.112.1453](#) [CTB932VE/6](#) [MC 1.5/ 6-ST-3.5 GY AU](#) [ET02015000J0G](#) [734-104](#) [734-302](#) [734-304](#) [8-141-P](#) [FKCT 2.5/ 3-ST KMGY](#) [860505](#) [860508](#) [860516](#) [860810](#) [861908](#) [GBPACX-12](#) [93.731.4953.0](#) [PV05-5,08-K](#) [PVP02-5,00](#) [PVP04-3,50](#) [PVS02-5,00](#) [1-1986160-3](#) [H-10](#) [1546228-5](#) [ELFH09150](#) [ELFH16150](#) [ELFP03110](#) [ELFT06250](#) [ELFT07250](#) [ELVF09400](#) [ELVP03100](#) [ELXH03100](#) [ELXP041G0](#) [ELXT046G0](#) [1700101](#) [1700410](#) [1700425](#) [1703176](#) [1703243](#) [1705229](#) [1710175](#) [1714537](#) [1717806](#) [1719600](#) [1728941](#) [1729386](#) [1734692](#)