

The PSU 303 is a compact, split 'open' mains power supply unit designed primarily for OEM use. The linear regulator ICs used have over-current and over-temperature protection and offer 200mA @ +5V d.c. and 50mA @ -5V d.c. outputs.

- 200mA @ 5V d.c. and 50mA @ -5V d.c. Outputs
- Simple Screw-Terminal Connection
- Encapsulated Mains Transformer
- Positive and Negative Fixed Rails
- Compact, Low Profile Design

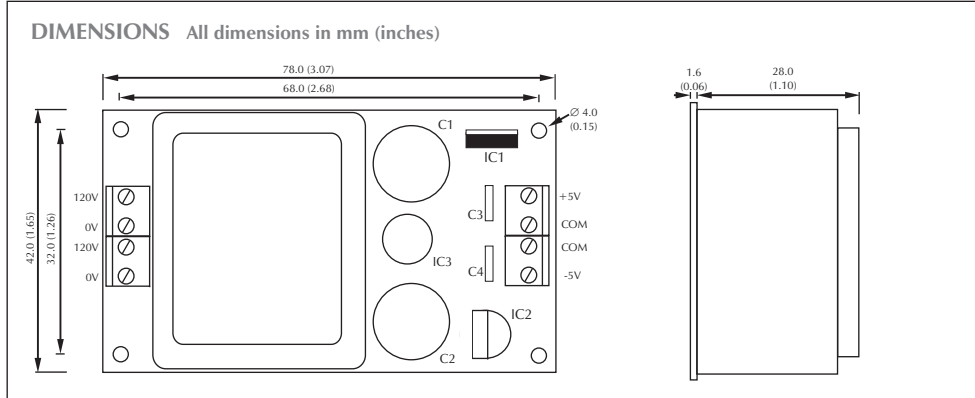
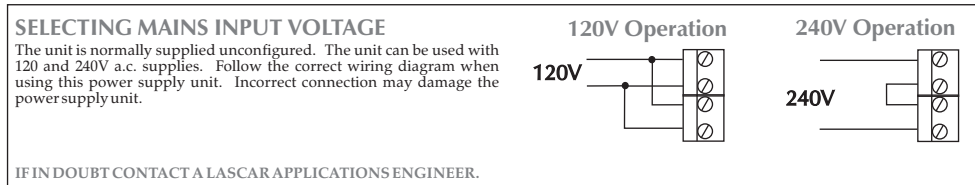


Standard Unit				Stock Number PSU 303
Specification	Min.	Typ.	Max.	Unit
Load regulation			1	%
Line regulation			1	%
Ripple		0.5		mV
Operating temperature range	0		50	°C
Output				
Positive	V	5		V
	I		200	mA
Negative	V	-5		V
	I		-50	mA
Input (50-60Hz) - selectable	110	120	125	VAC
	215	240	245	

SAFETY

For safe operation, the unit must be installed in an enclosure which prevents accidental contact with hazardous voltages, by providing appropriate insulation or guarding. If the enclosure is made of a conducting material or the internal surfaces have a conductive coating, ensure that no part of the power supply will come into contact with it, and maintain an air gap clearance of minimum 10mm. The PSU 303 is short circuit proof but the mains lead to the unit must be fused with a 100mA fuse. In general, it is the responsibility of the user to ensure that the incorporation of the power supply unit into the OEM equipment conforms to the relevant sections of BS EN 61558-1: 1998, in accordance with the Low Voltage Directive (LVD 93/68/EEC).

IF IN DOUBT CONTACT A LASCAR APPLICATIONS ENGINEER.



Specifications liable to change without prior warning PSU 303 Issue 6 09/2010 S.L. Applies to PSU 303/2 No: 716 - Page 1 of 1

The PSU 303 is a compact, split 'open' mains power supply unit designed primarily for OEM use. The linear regulator ICs used have over-current and over-temperature protection and offer 200mA @ +5V d.c. and 50mA @ -5V d.c. outputs.

- 200mA @ 5V d.c. and 50mA @ -5V d.c. Outputs
- Simple Screw-Terminal Connection
- Encapsulated Mains Transformer
- Positive and Negative Fixed Rails
- Compact, Low Profile Design

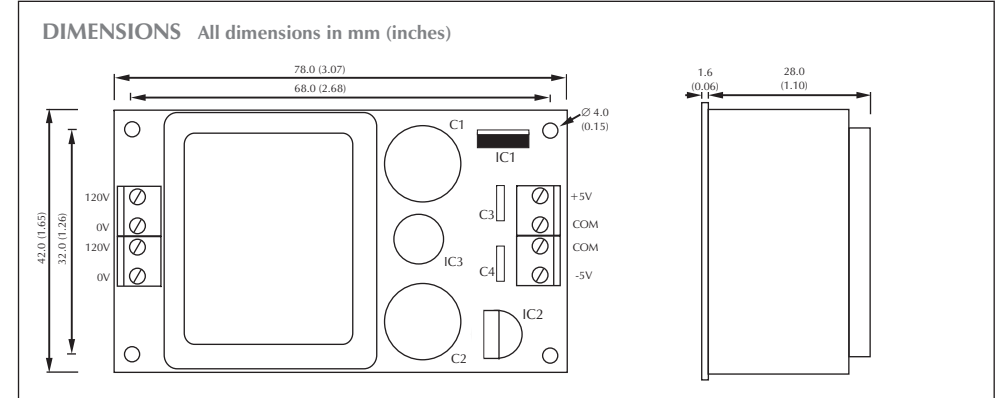
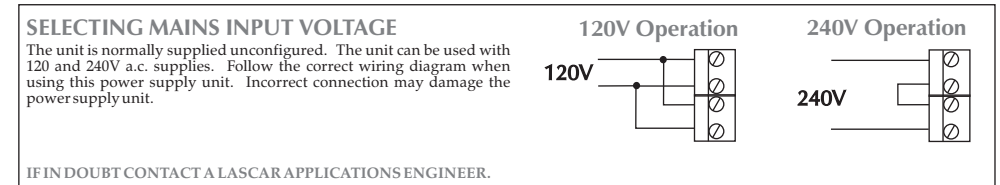


Standard Unit				Stock Number PSU 303
Specification	Min.	Typ.	Max.	Unit
Load regulation			1	%
Line regulation			1	%
Ripple		0.5		mV
Operating temperature range	0		50	°C
Output				
Positive	V	5		V
	I		200	mA
Negative	V	-5		V
	I		-50	mA
Input (50-60Hz) - selectable	110	120	125	VAC
	215	240	245	

SAFETY

For safe operation, the unit must be installed in an enclosure which prevents accidental contact with hazardous voltages, by providing appropriate insulation or guarding. If the enclosure is made of a conducting material or the internal surfaces have a conductive coating, ensure that no part of the power supply will come into contact with it, and maintain an air gap clearance of minimum 10mm. The PSU 303 is short circuit proof but the mains lead to the unit must be fused with a 100mA fuse. In general, it is the responsibility of the user to ensure that the incorporation of the power supply unit into the OEM equipment conforms to the relevant sections of BS EN 61558-1: 1998, in accordance with the Low Voltage Directive (LVD 93/68/EEC).

IF IN DOUBT CONTACT A LASCAR APPLICATIONS ENGINEER.



Specifications liable to change without prior warning PSU 303 Issue 6 09/2010 S.L. Applies to PSU 303/2 No: 716 - Page 1 of 1

X-ON Electronics

Largest Supplier of Electrical and Electronic Components

Click to view similar products for [lascar](#) manufacturer:

Other Similar products are found below :

[EL-USB-1-PRO](#) [EL-USB-5](#) [EL-USB-4](#) [SP400-BLUE](#) [SGD21-B](#) [EL-WIFI-TP+-PROBE-G](#) [EL-CC-1-001 PK10](#) [S43-RS485](#) [EL-MOTE-WALL-BRACKET](#) [EL-MOTE-T-PLUS](#) [SGD24-M-IP](#) [EL-GFX-1](#) [EM32-1B-LED](#) [EMV1200](#) [DPM3AS-BL](#) [EL-GFX-DTC](#) [EL-USB-RT](#) [EL-WIFI-ALERT](#) [DTM 995B](#) [DPM125-BL](#) [DPM942-FPSI](#) [EL-CC-2-001 PK10](#) [EL-CC-2-005 PK10](#) [S70-TP](#) [EL-SIE-1](#) [EL-SIE-1+](#) [EL-SIE-2+](#) [EL-SIE-6+](#) [SGD24-M-IP420](#) [WIRELESS ALERT TP](#) [EL-SGD43-ATP](#) [EL-GFX-2](#) [EM32-1B](#) [EL-USB-ACT](#) [EL-CC-2-002 PK10](#) [EL-MOTE-TH](#) [EL-USB-CO](#) [EMT1900](#) [EL-ENVIROPAD-TC](#) [DPM702S](#) [SGD 43-A DK+](#) [EL-USB-2-LCD+](#) [EL-WIFI-21CFR-TP+](#) [EL-GFX-DTP+](#) [EL-CC-2-004 PK10](#) [EL-USB-5+](#) [EL-USB-TP-LCD-PROBE-G](#) [EL-CC-1-003 PK10](#) [SGD 24-M-IP420](#) [DPM125](#)