

## Features and Benefits

The MOD-SNAP modular system provides a flexible and versatile method of installation, allowing the user the choice of installing as many data outlets as required. The modules are fully assembled units featuring the Molex Premise Networks low profile Cat 5E RJLP connector and a 25 x 38.5mm fascia (BT 6C size), shutter and spring assembly.

Molex Premise Networks unique patented RJLP RJ45 connector is engineered to meet the highest performance standards in the industry and offers a low profile, space saving design that enables installation in shallow backboxes and trunking.

Suitable for high speed data transmission the PowerCat RJLP RJ45 connector was designed to meet the requirement of the Cat 5E standard which demands compliance with the PowerSum principle of measurement and test.

- RJ45 RJLP connector Category 5E
- EIA 568B wired
- Space saving low profile module
- Labelling facility

## Technical Information

### Termination Tools:

Molex and other industry standard installation tools

### IDC Terminations:

Suitable for 0.4mm - 0.6mm solid or stranded cable, maximum o.d. 1.5mm. Two wires may be terminated for daisy-chain applications.

Patents pending on connector and module designs.

### Mechanical Characteristics

#### Jack Connector

Operating Life: Minimum 500 insertion cycles  
 Contact Material: Phosphor Bronze  
 Contact Plating: 1.25µm Au/Ni  
 Material: UL 94VO Thermoplastic

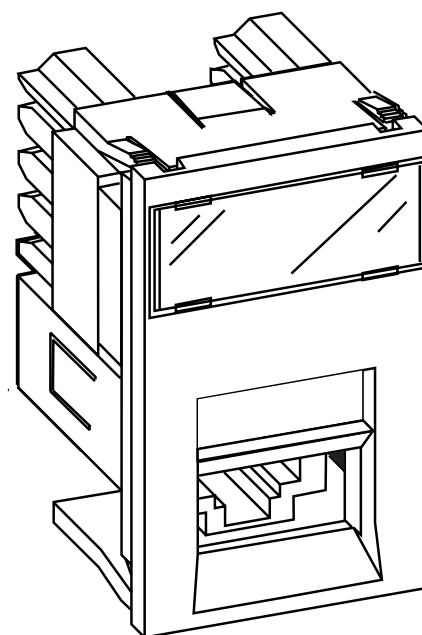
#### IDC Connector

Operating Life: Minimum 100 Reterminations  
 Contact Material: Phosphor Bronze  
 Contact Plating: Sn/Pb over Ni  
 Wire Size: 2x 22-26 AWG solid or stranded

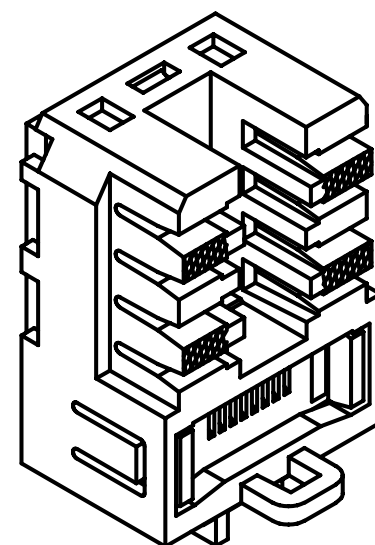
### Electrical/Optical Characteristics

D.C. Resistance: <20mΩ  
 D.C. Resistance Imbalance: <2.0mΩ  
 Insulation Resistance: >100MΩ  
 Attenuation (dB): @ 1MHz 0.0121  
                                   @ 16MHz 0.0193  
                                   @ 100MHz 0.1052  
 Crosstalk (dB): @ 1MHz -84.26  
                                   @ 16MHz -60.03  
                                   @ 100MHz -45.70  
 PowerSum Worst Pair: @ 100MHz-41.83  
 Return Loss (dB): @ 1MHz -65  
                                   @ 16MHz -48  
                                   @ 100MHz -30

Backbox/Trunking depth requirement:  
 Minimum clearance 16mm  
 Shipping Weight: Box 20 = 0.25 Kg



Cut out size: 37 x 22mm



## ORDERING INFORMATION

Order No.	SAP No.	Description
42.1B.011.A0032*	Consult Molex	Powercat Mod-Snap RJLP module. RJ45, 568B, Category 5E (White)

Molex Premise Networks standard fascia colour is white. Other colours may be subject to minimum order quantities.

## MOLEX PREMISE NETWORKS

**Americas**  
 Tel: 630 969 4550  
 www.molexpn.com

**EMEA**  
 Tel: 44 (0)2392 205800  
 www.molexpn.co.uk

**APAC**  
 Tel: 61 3 9971 7111  
 www.molexpn.com.au

## X-ON Electronics

Largest Supplier of Electrical and Electronic Components

*Click to view similar products for [molex](#) manufacturer:*

Other Similar products are found below :

[1201140065](#) [90814-0008](#) [38210-0105](#) [60506-C-50](#) [69008-0971](#) [73108](#) [79516-1043](#) [72903](#) [1062837003](#) [0533241060](#) [68301-1017](#)  
[03-12-1016](#) [71506-C](#) [90835-0003](#) [02-09-8104](#) [880504](#) [67490-3220](#) [387790039](#) [53254-0710](#) [85071-0017](#) [70984-4008](#) [387204903](#)  
[03-12-2022](#) [783472003](#) [89674-0805](#) [514412093](#) [0026482195](#) [0191310031](#) [503308-4410](#) [02-09-6102](#) [0008650814](#) [0039000218](#) [89762-1403](#)  
[89762-1542](#) [89762-1582](#) [0011404526](#) [00136](#) [0022173102](#) [0026615060](#) [CR4006A30M003](#) [0039532085](#) [58098-0628](#) [0003092041](#)  
[0008520123](#) [0011030025](#) [0011184017](#) [0022162060](#) [0022552102](#) [01312](#) [M15730061](#)