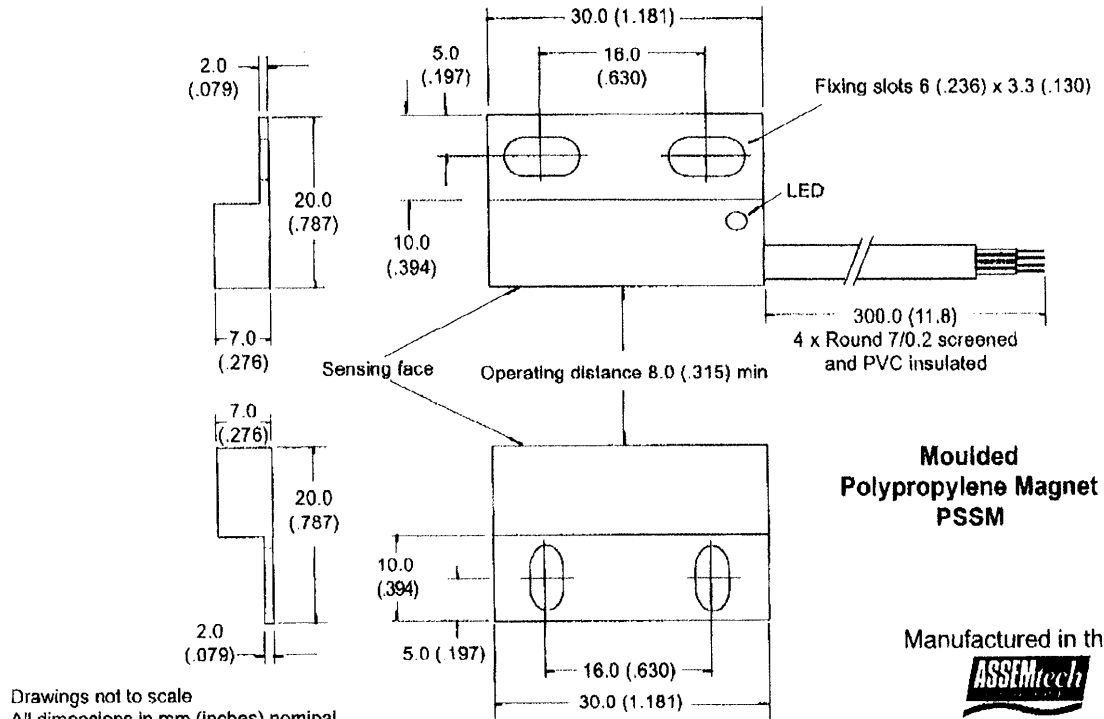


123.0412

Comus Group of Companies

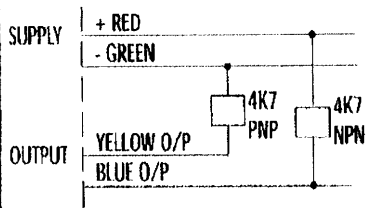
PRODUCT DATA SHEET



Drawings not to scale
All dimensions in mm (inches) nominal

SPECIFICATION

SUPPLY VOLTAGE	Max. Vdc	10 Min. - 20 Max.
ON CURRENT	Max. mA	25
OUTPUT TYPE		Open Collector
OUTPUT CURRENT	Max. mA	250
OUTPUT LOADING	Ohms	4.7K
SENSING DISTANCE	Min. mm	8
OPERATING TEMPERATURE		
CONTINUOUS	Deg. °C	-20° + 85°
INTERMITTENT	Deg. °C	-20° + 105°
STORAGE TEMPERATURE	Deg. °C	-25° + 90°
CASE MATERIAL		Polypropylene



Red = +V,
Green = 0V
Blue = NPN Output (4.7k ohms to +V)
Yellow = PNP Output (4.7k ohms to 0V)

- PNP + NPN Output
- Normally Open Contact
- Magnet Activated Bounce Free Operation
- LED indication

NOTE: When power is applied the red indication LED will glow dimly to indicate power is at the device. When a magnet is present in on target the LED will illuminate at full brightness.

This product is fully sealed to give maximum mechanical protection and minimise the ingress of dust and moisture. As a guide, the product is expected to meet the requirements of IP65.

PROXIMITY - Hall Effect - Plastic - Rectangular

**PART NUMBER
PSS25S/30**

Rev. No.	Revision Note	Date	Signature
F	Web Site 2001	1-4-01	RG

The Comus Group of Companies consist of:
Assemtech Europe Limited
E. Bachem GmbH
Comus International
W. Gunther GmbH
Gunther Belgium
Gunther France
S.T.G.

As part of the company policy of continued product improvement, specifications may change without notice. Our sales office will be pleased to help you with the latest information on this product range and details of our full design and manufacturing service. All products are supplied to our standard conditions of sale otherwise agreed in writing.

X-ON Electronics

Largest Supplier of Electrical and Electronic Components

Click to view similar products for [Sensor Hardware & Accessories](#) category:

Click to view products by [Comus](#) manufacturer:

Other Similar products are found below :

[62105012-000](#) [F03-01 SUS304 BINIL](#) [FH-AP1](#) [PH-1-10M](#) [PH-1-20M](#) [PH-2-30M](#) [AC201](#) [R4](#) [R-8580-360](#) [ADI-LC3S](#) [E39-L149](#) [PBT420-100R](#) [K35-4](#) [SDV-DH3 DC48](#) [SDV-DH7 AC200/220](#) [SDV-FL3 DC48](#) [SDV-FM2 DC24](#) [SDV-FM3 DC48](#) [SDV-FM6 AC100/110](#) [SDV-SH15](#) [A-1923](#) [STA12](#) [AP4-T](#) [PH-1-50M](#) [R6](#) [R-8580-362](#) [D01051301](#) [3Z4S-ML-PL305](#) [43912557-020](#) [MF-1 D=3.2](#) [BGN-035](#) [05282945-006](#) [E39-L7](#) [EE-1006-8 2M](#) [SDV-FL6 AC100/110](#) [SDV-FL7 AC200/220](#) [SDV-FM7 AC200/220](#) [SDV-SH10](#) [8000-5110](#) [ZX-SB11](#) [ZLR12GI12V3](#) [XZCC43FCP40B](#) [D01070602](#) [606075](#) [ZCM077GIV5](#) [Y92ES12PVC4A10ML](#) [Y92ES12PVC4S5ML](#) [ZFV-XMF2](#) [28810-2](#) [ZX-SW11E V3](#)