

Solenoids

Series 42 Small, high force/stroke ratio solenoid



GENERAL DESCRIPTION

AC & DC types

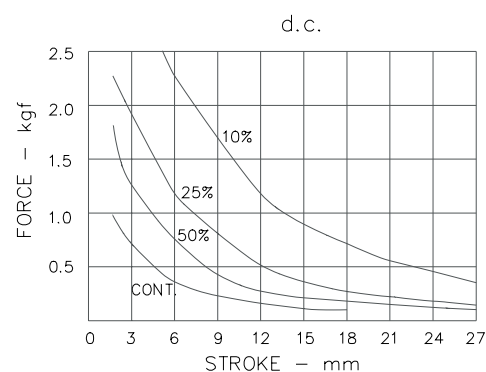
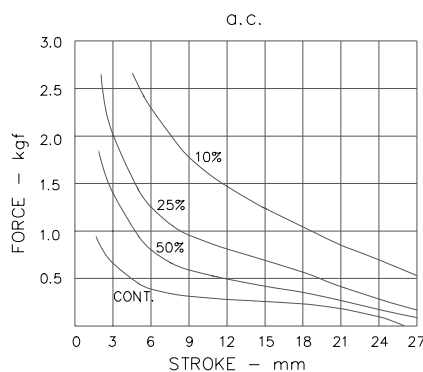
Pull & thrust versions

Shading ring for quiet AC operation

PERFORMANCE

	Item	Specification
ELECTRICAL	Maximum Ontime	See table below
	Closed power (continuous rating)	AC: 15VA DC: 10W
	Maximum permissible voltage	240V
	Insulation	All coils tested to frame at 1500V RMS 50Hz
MECHANICAL	Weight	213g Plunger: 42.5g
	Ambient temperature Force/Stroke curve	The information given on this page is based on room temperature of 20 C allowing for a nominal 75 C temperature rise in coil. These force curves show average performance only. In addition to normal manufacturing tolerances, deviations can be expected at some voltages due to the coil winding tolerances.

FORCE/STROKE CURVES & ON TIME

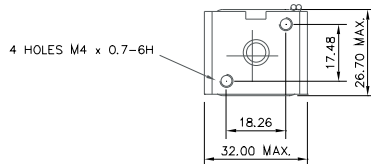
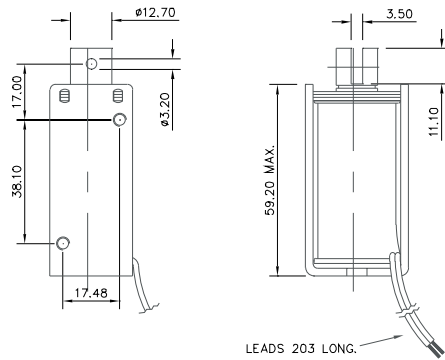


MAXIMUM ON TIME

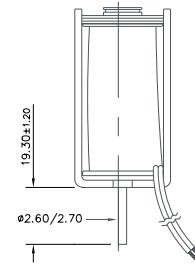
	10%		25%		50%	
	1 cycle	Cont. cycle	1 cycle	Cont cycling	1 cycle	Cont. cycling
AC	55 sec	40 sec	3 min	2 min	10 min	7 min
DC	50 sec	30 sec	2 min	1.25 min	5.75 min	4 min

DIMENSIONS (mm)

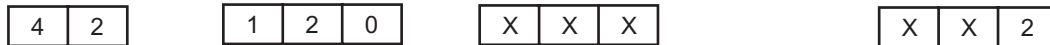
PULL TYPE - SHOWN ENERGISED



PUSH TYPE - SHOWN ENERGISED



CODING



AC	1
DC	6
Pull	1
Push	2
STANDARD	0
With Push Off Spring	1

COIL	COIL			
	Cont.	50%	25%	10%
24V AC 50 Hz	01	02	03	04
50V AC 50Hz	08	09	10	11
115V AC 50Hz	15	16	17	18
220V AC 50Hz	23	24	25	26
230V AC 50Hz	39	40	41	42
115V AC 60Hz	19	20	21	22
220V AC 60Hz	27	28	29	30
230V AC 60Hz	43	44	45	46
6V DC	54	55	56	57
9V DC	58	59	59	60
12V DC	62	63	64	65
24V DC	72	73	74	75
28V DC	76	77	78	79
36V DC	80	81	82	83
50V DC	84	85	86	87
115V DC	88	89	90	91
220V DC	92	93	93	94
240V DC	96	97	98	99
Standard Leads				0
Faston Tags				3



BLP products are designed, manufactured and tested to ISO 9001 quality standards.
 BLP Reserve the right to change without prior notice the information contained in this leaflet.

BLP Components Ltd., Exning Rd, Newmarket, Suffolk CB8 0AX, England
 Tel: +44 (0)1638 665161 Fax: +44 (0)1638 660718 Email: sales@blpcomp.com Website: http://www.blpcomp.com

X-ON Electronics

Largest Supplier of Electrical and Electronic Components

Click to view similar products for [ped manufacturer](#):

Other Similar products are found below :

[41 120 610 620](#)