

PSR-SPP- 24DC/RSM4/4X1

Order No.: 2981541


The figure shows a version with a screw connection



<http://eshop.phoenixcontact.co.uk/phoenix/treeViewClick.do?UID=2981541>

Two-channel speed and downtime monitor, 4 N/O contacts, option of start button monitoring or automatic start for SIL 3 in acc. with IEC 61508, pluggable spring-cage connection terminal blocks, width: 45 mm



Commercial data	
EAN	4  017918 996833
Pack	1
Customs tariff	85364900
Country of Origin	DE
Catalog page information	Page 35 (IF-2011)

Product notes

WEEE/RoHS-compliant since:
27/11/2006



Please note that the data given here has been taken from the online catalog. For comprehensive information and data, please refer to the user documentation at <http://www.download.phoenixcontact.com>. The General Terms and Conditions of Use apply to Internet downloads.

Technical data

Input data	
Nominal input voltage U_N	24 V DC
Input voltage range in reference to U_N	0.85 ... 1.1
Typical input current at U_N	100 mA
Voltage at input/start and feedback circuit	24 V DC

Typical response time	15 ms
Typical release time	12 ms
Recovery time	1 s
Limit frequency	2 kHz (IN1, IN2) 400 kHz (RJ45)

Output data

Contact type	4 enabling current paths
Contact material	AgNi10, + 5 µm Au
Maximum switching voltage	250 V AC/DC (when the gold layer is destroyed) 60 V AC/DC (With gold layer existing)
Minimum switching voltage	100 mV AC/DC
Limiting continuous current	5 A 100 mA (alarm outputs)
Maximum inrush current	6 A
Inrush current, minimum	1 mA
Sq. Total current	$42.25 \text{ A}^2 (I_{TH}^2 = I_1^2 + I_2^2 + I_3^2 + I_4^2)$
Interrupting rating (ohmic load) max.	67 W (24 V DC, $\tau = 0 \text{ ms}$) 36 W (48 V DC, $\tau = 0 \text{ ms}$) 43 MW (110 V DC, $\tau = 0 \text{ ms}$) 68 MW (220 V DC, $\tau = 0 \text{ ms}$)
Switching capacity min.	1 mW
Output fuse	6 A gL

General data

Width	45 mm
Height	112 mm
Depth	114.5 mm
Ambient temperature (operation)	-20 °C ... 55 °C
Ambient temperature (storage/transport)	-40 °C ... 70 °C
Relay type	Electromechanically forcibly guided, dust-proof relay.
Mechanical service life	> 50 x 10 ⁶ cycles
Mounting position	Any
Assembly instructions	In rows with zero spacing
Category according to EN 13849-1	4
Stop category	0

Name	Air and creepage distances between the power circuits
Standards/regulations	EN 60664/VDE 0110
Rated surge voltage / insulation	4 kV / Basic isolation, (safe isolation, reinforced insulation and 6 kV between input circuit and enabling current paths.)
Rated insulation voltage	250 V
Pollution degree	2
Surge voltage category	III

Connection data

Conductor cross section solid min.	0.2 mm ²
Conductor cross section solid max.	1.5 mm ²
Conductor cross section stranded min.	0.2 mm ²
Conductor cross section stranded max.	1.5 mm ²
Conductor cross section AWG/kcmil min.	24
Conductor cross section AWG/kcmil max	16
Stripping length	8 mm
Connection method	Spring-cage conn.

Certificates



Certification

CUL Listed, GOST, TUEV-RH, UL Listed

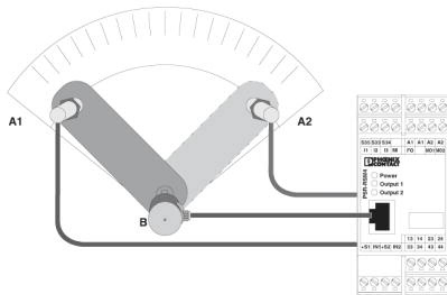
Accessories

Item	Designation	Description
General		
2981651	CABLE-15/8/250/RSM/AMK	Cable adapter for PSR-RSM, 15/8-pos., cable length 2.5 m, for controller: AMK
2981648	CABLE-15/8/250/RSM/DKC	Cable adapter for PSR-RSM, 15/8-pos., cable length 2.5 m, for controller: Indramat
2981635	CABLE-15/8/250/RSM/FM-NC	Cable adapter for PSR-RSM, 15/8-pos., cable length 2.5 m, for controller: Siemens
2981619	CABLE-15/8/250/RSM/MHD/G	Cable adapter for PSR-RSM, 15/8-pos., cable length 2.5 m, for controller: Indramat

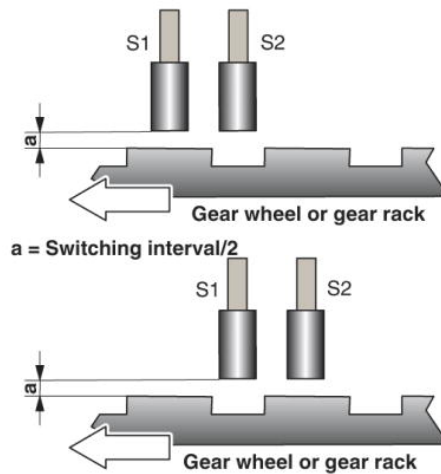
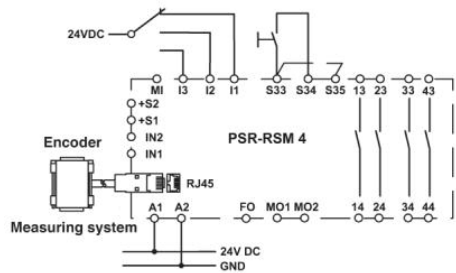
2981606	CABLE-15/8/250/RSM/ SIMO611D	Cable adapter for PSR-RSM, 15/8-pos., cable length 2.5 m, for controller: Siemens, Heidenhain
2981622	CABLE-15/8/250/RSM/SIN800	Cable adapter for PSR-RSM, 15/8-pos., cable length 2.5 m, for controller: Siemens
2981596	CABLE-25/8/250/RSM/ARADDEX	Cable adapter for PSR-RSM, 25/8-pos., cable length 2.5 m, for controller: Aradex
2981583	CABLE-25/8/250/RSM/ SIMO611D	Cable adapter for PSR-RSM, 25/8-pos., cable length 2.5 m, for controller: Siemens, Heidenhain
2981554	PSR-CONF-WIN1.0	Configuration software for PSR-RSM4, with connecting cable

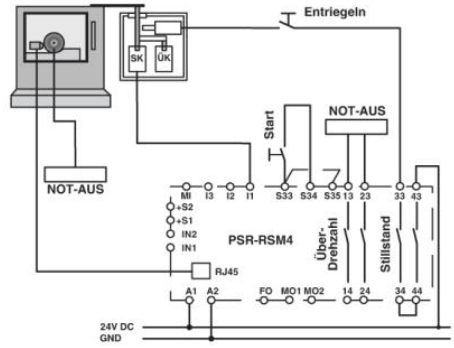
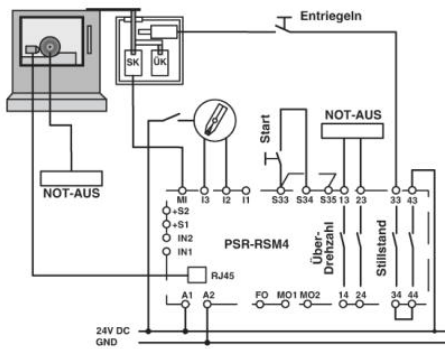
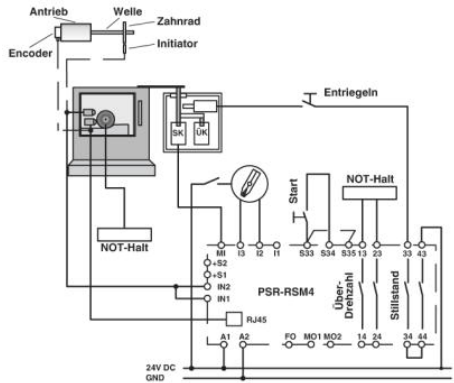
Drawings

Application drawing

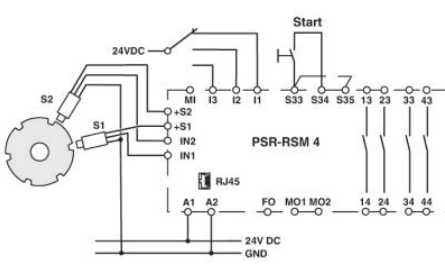
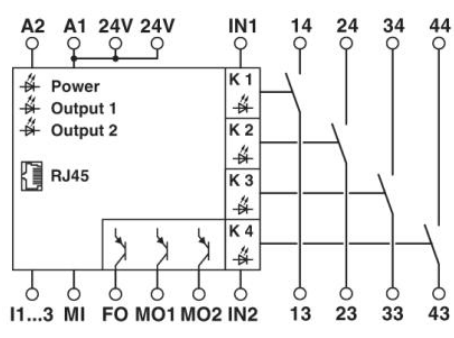


Diagram





Circuit diagram



Address

PHOENIX CONTACT Ltd
Halesfield 13
Telford / Shropshire / TF7 4PG,England
Phone 01952 681 700
Fax 01952 681 799
<http://www.phoenixcontact.co.uk>



Phoenix Contact Ltd.
Technical modifications reserved;

X-ON Electronics

Largest Supplier of Electrical and Electronic Components

Click to view similar products for [Safety Relays](#) category:

Click to view products by [Phoenix Contact](#) manufacturer:

Other Similar products are found below :

[7-1618103-5](#) [1351-1X](#) [1618089-2](#) [C200HDA003](#) [C200HMR432](#) [C200HMR832](#) [C200HMR833](#) [20-050-36X](#) [C500OD415CN](#) [2-1618068-0](#)
[25994](#) [9-1618103-2](#) [SP10-ETL01](#) [21-890](#) [3-1618060-0](#) [C200HNC112](#) [C200HOD214](#) [C500CN812N](#) [1100X](#) [1100-42X](#) [1-1618062-0](#) [6-](#)
[1618082-4](#) [7-1618103-6](#) [50.12.9.110.1000](#) [SP16DRD](#) [SP16DRA](#) [XPSAXE5120P](#) [XPSECPE5131P](#) [C500-CE243](#) [607.5111.020](#) [439390016](#)
[607.5111.009](#) [607.5111.010](#) [PSR-MM25-1NO-2DO-24DC-SC](#) [NXSL5500](#) [600PSR-165/300-CU](#) [SR4D4110](#) [J73KN-AM-22](#) [G7SA-3A1B](#)
[DC12](#) [G7SA-4A2B](#) [DC12](#) [G7SA-3A1B](#) [DC48](#) [G7SA-2A2B](#) [DC48](#) [ES-FA-9AA](#) [50.12.9.024.5000](#) [44510-2310](#) [V23047-A1036-A501](#) [44510-](#)
[1081](#) [44510-2021](#) [44510-2232](#) [WUF-12-5060-T](#)