


PSR-SCP-24-230UC/ESAM4/3X1/1X2

Order No.: 2981114

<http://eshop.phoenixcontact.co.uk/phoenix/treeViewClick.do?UID=2981114>

Safety relay to emergency stop and safety door monitoring up to SIL 3 or Cat. 4, PL e according to EN ISO 13849, one- or two-channel operation, automatically or manually supervised activation, 3 enabling current paths, nominal input voltage 24-230 V AC/DC

**Commercial data**

EAN	 4 046356 051644
Pack	1
Customs tariff	85364900
Country of Origin	DE
Catalog page information	Page 39 (IF-2011)

Product notes

WEEE/RoHS-compliant since:
31/05/2007



Please note that the data given here has been taken from the online catalog. For comprehensive information and data, please refer to the user documentation at <http://www.download.phoenixcontact.com>. The General Terms and Conditions of Use apply to Internet downloads.

Technical data**Input data**

Input voltage range	24 V AC/DC ... 230 V AC/DC
Input voltage range in reference to U_N	0.85 ... 1.1

Typical input current at U_N	120 mA (at 24 V DC)
	20 mA (for 120 V AC)
	10 mA (for 230 V AC)
Voltage at input/start and feedback circuit	Approx. 24 V DC
Typical response time	50 ms (manual start)
	60 ms (automatic start)
Typical release time	20 ms (when controlled via S11/S12 and S21/S22)
	500 ms (when controlled via A1)
	50 ms (at 24 V DC)
	110 ms (for 120 V AC)
	280 ms (for 230 V AC)
Concurrence input 1/2	Infinite
Recovery time	1 s
Maximum switching frequency	0.5 Hz
Max. permissible overall conductor resistance	11 Ω (input voltage: $U_i = 8.4 \text{ V} + 0.02 \times \text{load} \times (\text{V}/\Omega)$)

Output data

Contact type	3 enabling current paths, 1 signaling current path
Contact material	AgSnO ₂ , + 0.2 μm Au
Maximum switching voltage	250 V AC/DC
Minimum switching voltage	10 V AC/DC
Limiting continuous current	6 A
Maximum inrush current	6 A
Inrush current, minimum	10 mA
Sq. Total current	50 A ² ($I_{TH}^2 = I_1^2 + I_2^2 + \dots + I_N^2$)
Interrupting rating (ohmic load) max.	192 W (24 V DC, $\tau = 0 \text{ ms}$)
	384 W (48 V DC, $\tau = 0 \text{ ms}$)
	80 W (110 V DC, $\tau = 0 \text{ ms}$)
	66 W (220 V DC, $\tau = 0 \text{ ms}$)
	2000 VA (250 V AC, $\tau = 0 \text{ ms}$)
Maximum interrupting rating (inductive load)	48 W (24 V DC, $\tau = 40 \text{ ms}$)
	48 W (48 V DC, $\tau = 40 \text{ ms}$)
	48 W (110 V DC, $\tau = 40 \text{ ms}$)
	48 W (220 V DC, $\tau = 40 \text{ ms}$)
Switching capacity min.	360 mW

Output fuse	6 A gL/gG NEOZED (enabling current paths)
	6 A gL/gG NEOZED (signaling current paths)

General data

Width	45 mm
Height	99 mm
Depth	114.5 mm
Ambient temperature (operation)	-20 °C ... 55 °C
Ambient temperature (storage/transport)	-25 °C ... 85 °C
Relay type	Electromechanically forcibly guided, dust-proof relay.
Mechanical service life	Approx. 10 ⁷ cycles
Mounting position	Any
Category according to EN 13849-1	4
Stop category	0
Name	Air and creepage distances between the power circuits
Standards/regulations	DIN EN 50178/VDE 0160
Rated surge voltage / insulation	6 kV/safe isolation, reinforced insulation and 6 kV between input circuits and output contact current paths (13/14, 23/24, 33/34), as well as between output contact current paths (13/14, 23/24, 33/34).
Rated insulation voltage	250 V AC
Pollution degree	2
Surge voltage category	III

Connection data

Conductor cross section solid min.	0.2 mm ²
Conductor cross section solid max.	2.5 mm ²
Conductor cross section stranded min.	0.2 mm ²
Conductor cross section stranded max.	2.5 mm ²
Conductor cross section AWG/kcmil min.	24
Conductor cross section AWG/kcmil max	12
Stripping length	7 mm
Screw thread	M3
Connection method	Screw connection

Certificates

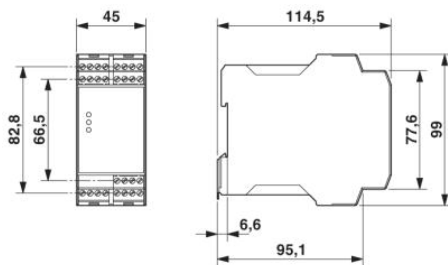


Certification

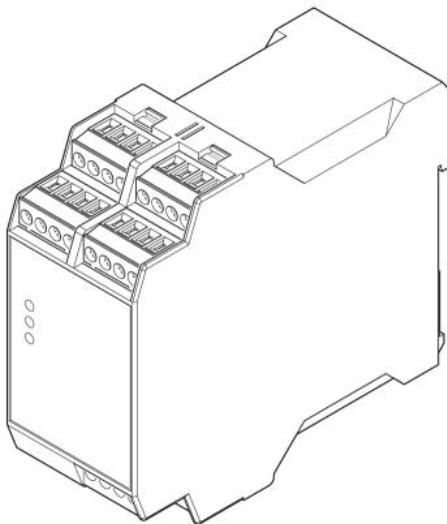
CUL Listed, GOST, TUEV-RH, UL Listed

Drawings

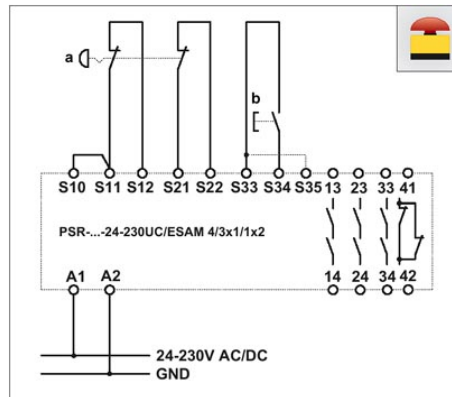
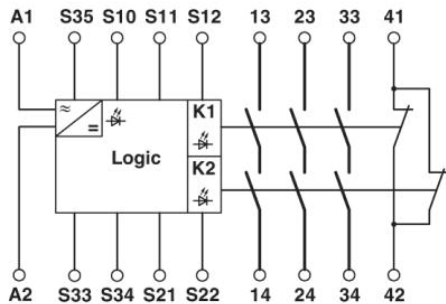
Dimensioned drawing



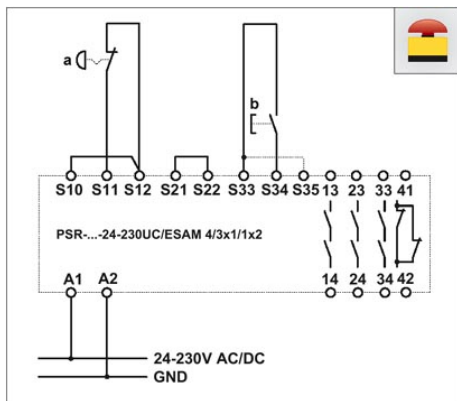
Product drawing



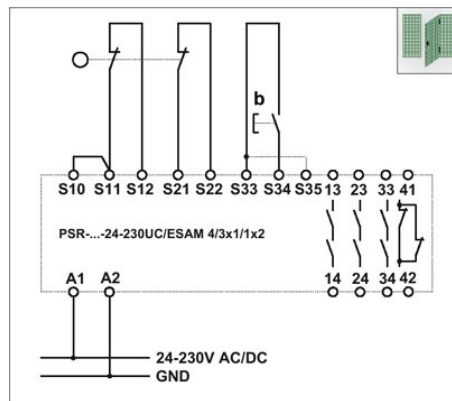
Circuit diagram



a = Emergency off, b= Reset. Two-channel emergency stop circuit with cross-circuiting detection and monitored reset button (bridge on S33/S35: Automatic activation, suitable up to safety category 4, SIL3.



a = Emergency off, b= Reset. Two-channel emergency stop circuit with monitored reset button (bridge on S33/S35: Automatic activation, suitable up to safety category 4, SIL3.



a = Emergency off, b= Reset. Two-channel protective door circuit with cross circuiting detection and monitored reset button (bridge on S33/S35: Automatic activation, suitable up to safety category 4, SIL3.

Address

PHOENIX CONTACT Ltd
Halesfield 13
Telford / Shropshire / TF7 4PG,England
Phone 01952 681 700
Fax 01952 681 799
<http://www.phoenixcontact.co.uk>



Phoenix Contact Ltd.
Technical modifications reserved;

X-ON Electronics

Largest Supplier of Electrical and Electronic Components

Click to view similar products for [Safety Relays](#) category:

Click to view products by [Phoenix Contact](#) manufacturer:

Other Similar products are found below :

[7-1618103-5](#) [1351-1X](#) [1618089-2](#) [C200HDA003](#) [C200HMR432](#) [C200HMR832](#) [C200HMR833](#) [20-050-36X](#) [C500OD415CN](#) [2-1618068-0](#)
[25994](#) [9-1618103-2](#) [SP10-ETL01](#) [21-890](#) [3-1618060-0](#) [C200HNC112](#) [C200HOD214](#) [C500CN812N](#) [1100X](#) [1100-42X](#) [1-1618062-0](#) [6-](#)
[1618082-4](#) [7-1618103-6](#) [50.12.9.110.1000](#) [SP16DRD](#) [SP16DRA](#) [XPSAXE5120P](#) [XPSECPE5131P](#) [C500-CE243](#) [607.5111.020](#) [439390016](#)
[607.5111.009](#) [607.5111.010](#) [PSR-MM25-1NO-2DO-24DC-SC](#) [NXSL5500](#) [600PSR-165/300-CU](#) [SR4D4110](#) [J73KN-AM-22](#) [G7SA-3A1B](#)
[DC12](#) [G7SA-4A2B](#) [DC12](#) [G7SA-3A1B](#) [DC48](#) [G7SA-2A2B](#) [DC48](#) [ES-FA-9AA](#) [50.12.9.024.5000](#) [44510-2310](#) [V23047-A1036-A501](#) [44510-](#)
[1081](#) [44510-2021](#) [44510-2232](#) [WUF-12-5060-T](#)