

RJ12 6p6c keystone socket



RJ12 6p6c keystone socket (KSH66)

This keystone offers a convenient way to incorporate RJ11 or RJ12 socket into a variety of cabling situations. With its standardised dimensions, it can be used for easy snap-in mounting in e.g. a keystone patch panel, faceplate or surface-mount box.

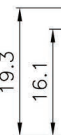
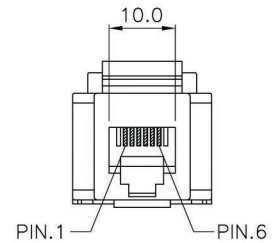
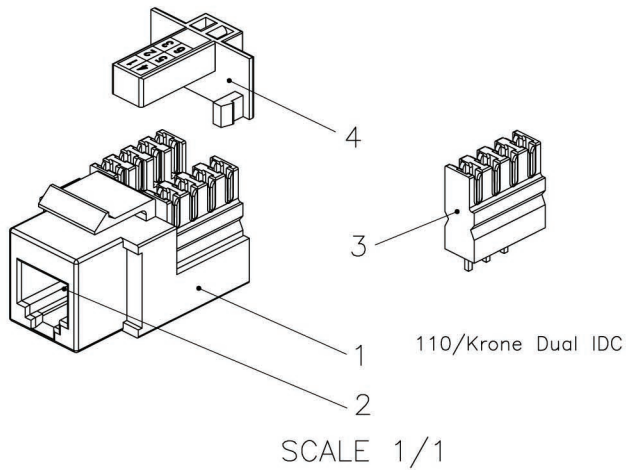
Features

- RJ11 and RJ12 high quality keystone socket
- Easy to use cable retention facility
- LSA+/110 dual type IDC contacts suitable for cable with solid wire cores measuring AWG 22-26

Specifications

- Dimensions (LxWxH): 38.9 x 21.0 x 19.8 mm
- Weight: approx. 10g
- Colour: black
- Insertion force: 20N max. (IEC 60603-7-4)
- Retention strength: 7.7kg between jack and plug
- Operating temperature: -40°C to 80°C
- Materials: Housing: ABS UL 94V-0,
RJ45 jack contact: phosphor bronze with nickel plating, 50µm/1.27µm gold plating on plug contact area,
IDC contact-Housing: PC + glass, fibre, UL 94V-2,
-Terminal: phosphor bronze with tin plating

ROHS Compliant



Specification :

Material :

1. Plastic Housing : ABS, UL 94V-0.
2. RJ45 Jack Contact :
 - 2-1. Material : Phosphor Bronze with Nickel plated.
 - 2-2. Finish : 50 micro-inch Gold plated on Plug contact area.
3. IDC :
 - 3-1. Housing : PC+Glass Fiber, UL 94V-2.
 - 3-2. Terminal : Phosphor Bronze with Tin plated.
4. IDC Bracket : ABS, UL 94V-0.
5. PCB : FR4, UL 94V-0.

Performance :

- a. Insertion Force : 20N max. (IEC 60603-7-4)
- b. Retention Strength : 7.7 kg between Jack and Plug.
- d. Operating temperature : -40°C to 80°C. (ISO/IEC 11801, ANSI/TIA 568 C.2)
- d. Life(mating cycles) :
 - * IDC : Suitable for 22-26 AWG stranded and solid wire, compatible with both 110 & Krone punch down tools.

GENERAL TOLERANCE OF DIMENSIONS X.XXX ±0.005 X.XX ±0.05 X.X ±0.1	DRAWING		
	CHECK		
	APPROVAL		
			DATE
SCALE	1/1 (A4)	UNIT	
		DRAWING N	
		DRAWING C	

X-ON Electronics

Largest Supplier of Electrical and Electronic Components

Click to view similar products for [Modular Connectors](#) / [Ethernet Connectors](#) category:

Click to view products by [Tuk](#) manufacturer:

Other Similar products are found below :

[RJE231881317T](#) [MP1010RX-1000](#) [MP44RX-1000](#) [GAX-3-66](#) [GAX-8-62](#) [93606-0253](#) [GD-A-44](#) [GDCX-PA-66-50](#) [GDCX-PN-64](#) [GDCX-PN-66](#) [GDCX-PN-66-50](#) [GDLX-A-66](#) [GDLX-A-88](#) [GDLX-N-66](#) [GDLX-S-88K](#) [GDTX-S-88-50](#) [GDX-PA-1010](#) [GLX-N-1010M-BLK](#) [GLX-N-44M](#) [GLX-S-88M-BLK](#) [GMX-N-1010](#) [GMX-S-1010](#) [GMX-S-66](#) [GMX-SMT2-N-1010](#) [GMX-SMT2-N-64-50](#) [GMX-SMT2-S6-88](#) [GMX-SMT4-N-88](#) [GPX-2-64](#) [GRT1-BT1-5](#) [GSGX-N-2-88](#) [GSX-NS2-88-3.05](#) [GSX-NS2-88-3.05-50](#) [GSX-NS-88-3.05-30](#) [GSX-NS-88-3.05-50](#) [GSX-NS-88-3.68](#) [1-1775629-2](#) [GWLX-S-88-GR](#) [GWLX-S9-88-YG](#) [1300500326](#) [1300500227](#) [1300530003](#) [1300570002](#) [1324640-4](#) [RJ11FTVC2G](#) [RJ11FTVC2N](#) [RJFTVX2SA1G](#) [132764-001](#) [1400000](#) [1413176](#) [1413235](#)