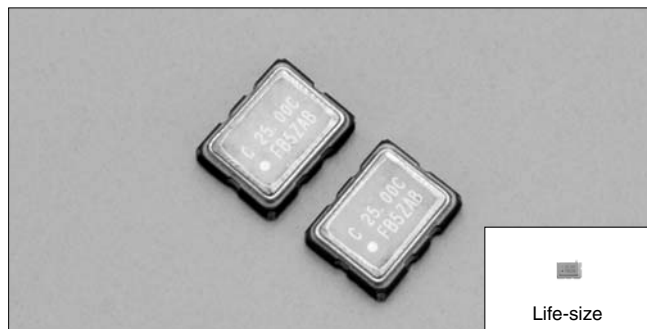


## CSX-325F SERIES

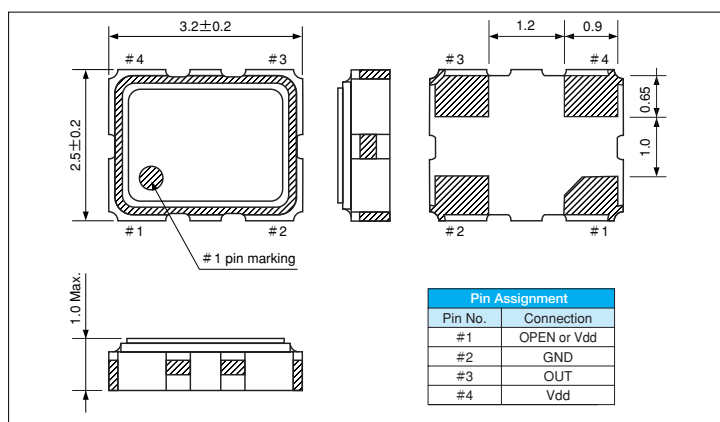
2000pcs/reel



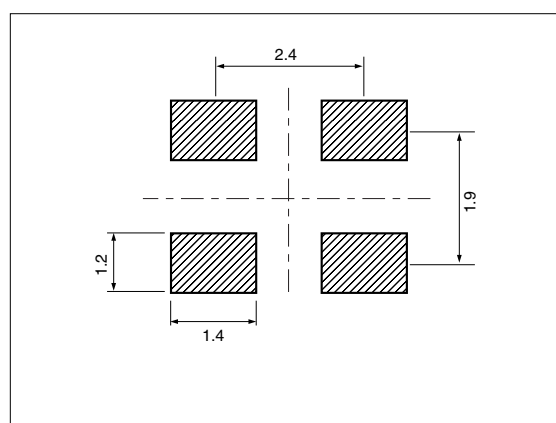
### FEATURES

- High-density SMD type.
- Ultra-light weight and ultraminiature size.
- Low current consumption.
- Suitable for various applications such as communication devices, AV devices, automotive devices and measuring instruments.
- Automatic mounting and reflowable type.

### DIMENSION [mm]



### SOLDER PAD LAYOUT [mm]



### STANDARD SPECIFICATIONS

\* Model is determined by the selection for the output enable or stand-by function, the frequency stability and the supply voltage.

Item	Model	CSX-325F (@) (*)	
Frequency Range		12.500MHz~54.000MHz	
Supply Voltage	(@)	H : Vdd=2.5V±0.1V	J : Vdd=3.3V±0.1V
Frequency Stability	(*)	B : ±50ppm, C : ±100ppm, E : ±50ppm(−40°C~+85°C), F : ±100ppm(−40°C~+85°C)	
Operating Temperature Range		−20°C~+70°C (−40°C~+85°C)	
Storage Temperature Range		−55°C~+125°C	
Current consumption	(No load)	5mA Max. (<30.0MHz) / 7mA Max. (<54.0MHz)	
Duty	CMOS level (1/2 Vdd)	40~60%	
Output Voltage	V <sub>OH</sub>	0.8Vdd Min.	
	V <sub>OL</sub>	0.2Vdd Max.	
Output Load		CMOS 15pF Max.	
Rise and Fall Time	0.2Vdd⇔0.8Vdd	10 nsec Max.	
Start-up time		10 msec Max.	
Aging (first year)		±2ppm / year Max.	

## X-ON Electronics

Largest Supplier of Electrical and Electronic Components

*Click to view similar products for [Standard Clock Oscillators](#) category:*

*Click to view products by [CITIZEN](#) manufacturer:*

Other Similar products are found below :

[EP1400SJTSC-125.000M](#) [601137](#) [601252](#) [CSX750FBC-24.000M-UT](#) [CSX750FBC-33.333M-UT](#) [CSX750FCC-3.6864M-UT](#) [F335-12](#) [F335-25](#) [DSC506-03FM2](#) [ASA-20.000MHZ-L-T](#) [ASA-25.000MHZ-L-T](#) [ASA-27.000MHZ-L-T](#) [ASV-20.000MHZ-LR-T](#) [ECS-2018-160-BN-TR](#) [EL13C7-H2F-125.00M](#) [MXO45HS-2C-66.6666MHZ](#) [SiT1602BI-22-33E-50.000000E](#) [SIT8003AC-11-33S-2.04800X](#) [SiT8256AC-23-33E-156.250000X](#) [SIT8918AA-11-33S-50.000000G](#) [SM4420TEV-40.0M-T1K](#) [SMA4306-TL-H](#) [F335-24](#) [F335-40](#) [F335-50](#) [F535L-10](#) [F535L-12](#) [F535L-16](#) [F535L-27](#) [F535L-48](#) [PE7744DW-100.0M](#) [CSX750FBC-20.000M-UT](#) [CSX-750FBC33333000T](#) [CSX750FBC-4.000M-UT](#) [CSX750FBC-7.3728M-UT](#) [CSX750FBC-8.000M-UT](#) [CSX-750FCC14745600T](#) [CSX750FCC-16.000M-UT](#) [CSX-750FCC40000000T](#) [CSX750FCC-4.000M-UT](#) [ASA-22.000MHZ-L-T](#) [ASA2-26.000MHZ-L-T](#) [ASA-40.000MHZ-L-T](#) [ASA-48.000MHZ-L-T](#) [ASA-60.000MHZ-L-T](#) [ASF1-3.686MHZ-N-K-S](#) [XLH735025.000JU4I8](#) [XLP725125.000JU6I8](#) [XO37CTECNA10M](#) [XO57CRECNA16M](#)