

# DIGITAL TIMERS

## CT500 1/16 DIN DIGITAL COUNTER - TIMER



- Dual 4-digit LED display
- 5 programmable timing modes
- 6 Time ranges from 0.01 secs to 9999 hrs
- 5 programmable counter modes
- Counter range from -999 to +9999
- 2 independent relay outputs rated a 5A/230Vac
- 12/24 Vac/dc and 85 to 265 Vac supply
- CE, UL and RoHS compliant

The CT500 is a dual display, multi-range, multi-function 1/16 DIN panel mounted, counter timer. It has 2 independent relay outputs, each with its own set point. Output 2 can also be used as a batch counter output. The timer and the counter both have 5 selectable modes. The timer has ranges from 0.01 seconds to 9999 hours whilst the counter counts from -999 to 9999 with an optional scale factor. The lower display can be programmed to show either the 2nd set point or the batch quantity. The unit can operate as a 6 digit counter using both displays.

### SPECIFICATION

Power supply: 24Vac/dc  
85 to 270Vac at 50/60Hz

Time ranges: 99.99 / 999.9 / 9999 seconds  
99:59 min:sec, 999.9 / 9999 minutes  
99:59 hr:min, 999.9 / 9999 hours

Timing modes: Relay 1 : DE, INT, ICY, CY  
Relay 2 : as relay 1 + Batch

Start modes: Pulse start, Power up (external link)

Reset modes: Power up, front panel or external reset

Counter resln: 0.001, 0.01, 0.1, 1

Counter modes: Relay 1 : DE, INT, Auto reset, pulse repeat  
Relay 2 : as relay 1 + Batch

Scale factor: 0.001 to 9.999x10<sub>n</sub> (n=-3, -2, -1, 0, 1, 2)

Counter input: Voltage pulse (3 to 30Vdc) from prox switch, encoder or other solid state device. Potential free contact

Sensor supply: 12Vdc 30mA short circuit protected

Count direction: Timer - Down only  
Counter - Up/down selectable

Accuracy: Timer : +/-0.05% setting  
Counter : Absolute (+/-0 counts)

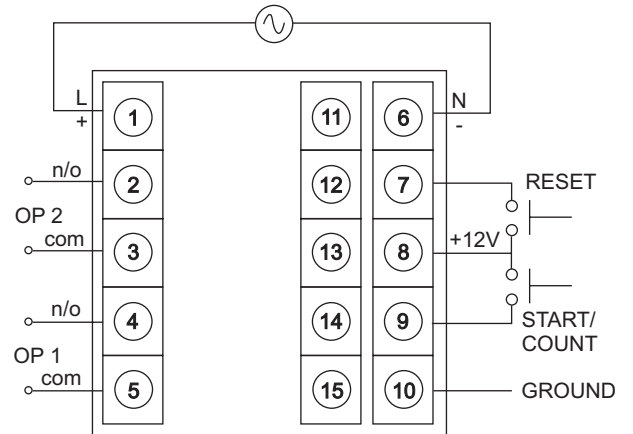
Output rating: 2 x SPST relay rated 5A @ 230Vac

Electrical life: 200,000 operations at rated load.

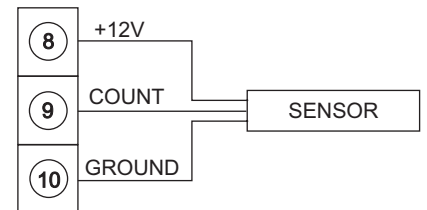
Approvals: Meets the EEC directives for emc  
EN50081-1 & EN50082-1 and low voltage  
EN61010-1  
UL and CSA approved

Operating Temp: 0°C to +50°C

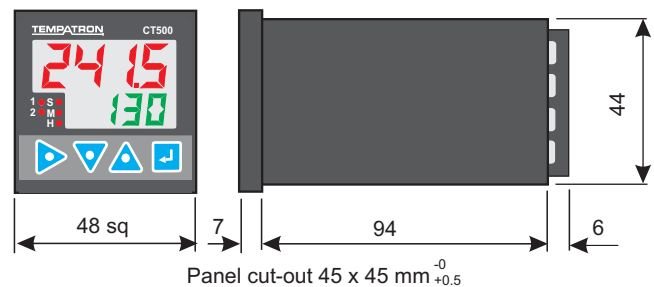
### CONNECTION DIAGRAM



Proximity sensor connections



### DIMENSIONS



### STANDARD ITEMS

Supply Voltage	Part Number
24Vac/dc	CT500-ML-0000
90 to 270Vac 50/60Hz	CT500-MH-0000

For matching temperature controllers, ask our sales office for details of our PID500 range.

TEMPATRON

## **X-ON Electronics**

Largest Supplier of Electrical and Electronic Components

*Click to view similar products for [tempatron](#) manufacturer:*

Other Similar products are found below :

[AM59](#) [AM41](#) [PID500ML-1000](#) [PID500MH-1000](#) [MINITHERM6-MCU](#) [TC4810-04](#) [TC4810-02](#) [TC4830-02](#) [TT32ML](#)