

Winchester Electronics Presents...

Crimp Tools

Machine Crimp Tool



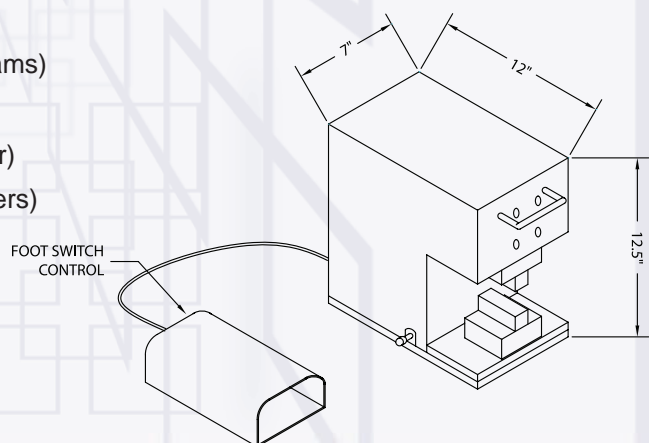
**Pneumatic Crimping Machine
KTM-5000**

Product Benefits

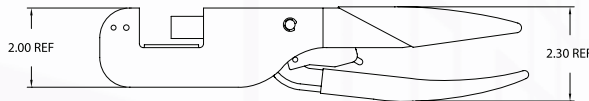
- Portable, bench-mounted with no permanent airline attached.
- Designed for use with KINGS® KTH-1000 and KTH-2000 die sets.
- Ideal for long or short production runs.
- Convenient foot control frees operator hands for crimping.
- Quick and easy changing from one die to another.
- Pneumatic interlock feature guarantees constant crimping.
- Designed with OSHA safety requirements in mind.
- Low maintenance.

Specifications

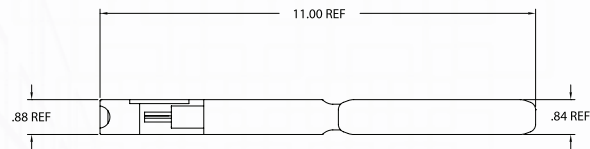
<i>Dimensions (LxWxH)</i>	12" x 7.0" x 12.5" (305 x 178 x 318 mm)
<i>Weight</i>	38 pounds (17.3 kilograms)
<i>Air Pressure</i>	90 psi (6 bar)
<i>Required Air Supply</i>	85-110 psi (5.6 - 7.3 bar)
<i>Air Consumption</i>	0.085 cubic feet (2.4 liters)
<i>Maximum Stroke</i>	0.78" (20 mm)
<i>Safety Shield</i>	Yes
<i>Cycle Speed</i>	54 cycles per minute
<i>Crimp Action</i>	Straight
<i>Maximum Recommended Termination Size</i>	88 mm O.D.



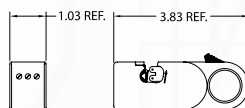
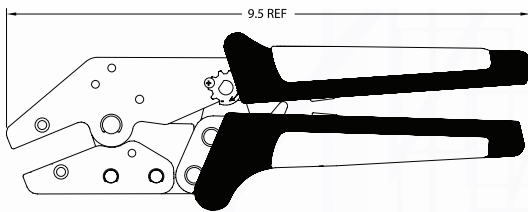
KTH-1000 Hand Crimp Tool



- ### KTH-1000
- Interchangeable Dies, utilize KTH-2000 Series die sets.
 - Die Sets not included but are purchased separately.
 - Ratchet type tool.
 - Does not release until crimp is complete.
 - Frame made of heavy duty lightweight aluminum.
 - Ratchet release feature tool type.



KTH-5000 Hand Crimp Tool with KTS-8 Stripper



- ### KTH-5000
- KTH-5000 Crimp Handle uses the KTH-5000 Series die sets.
 - Economical and user-friendly alternative to other industrial crimping tools.
 - Lightweight, ergonomic tool allows for one-handed operation.
 - Ultra-smooth ratchet design with rubber grip handles.
 - Available dies developed specifically for precise crimping of KING'S® connectors.

KTS-8 Stripper

- Hand-held tool is lightweight and compact—ideal for field use.
- Blade cassettes and memory blocks interchange quickly and easily.
- Cam adjustment ensures precise hold on cable without distorting the jacket.

Connecting Innovation to Application®

X-ON Electronics

Largest Supplier of Electrical and Electronic Components

Click to view similar products for [kings manufacturer](#):

Other Similar products are found below :

[875-57-1](#) [125-94-9](#) [126-12-5](#) [2025-38-9](#) [KA-19-156](#) [KA-89-92-M06](#) [KC-59-509](#) [KD-79-19](#) [KN-19-151](#) [KP-8010-740-400](#) [2431-84-11](#)
[KTH-2003](#) [KTH-2011](#) [2065-6-9](#) [2431-89-11](#) [UG-27D/U](#) [KA-59-351M07](#) [KA-79-56](#) [KA-99-57](#) [KC-59-122](#) [KC-59-485](#) [KC-79-67](#) [KC-89-](#)
[87](#) [KN-59-104](#) [KTH-2087](#) [KTH-2138](#) [KTH-2168](#) [KV-19-13](#) [UG-701A/U](#) [KC-59-195](#) [KTH-2101](#) [KTH-5000](#) [122-32-5](#) [KA-81-04](#) [KP-](#)
[8010-730-400](#) [KTH-2023](#) [KTH-2024](#) [KTH-2105](#) [KTH-2111](#) [KTH-2127](#) [KTH-2185](#) [KTH-2325](#) [7702-9](#) [7703-6](#) [7705-3](#) [1205-69-5](#) [E-3511-](#)
[M99](#) [KP-8040-006-000](#) [KP-9005-000-090](#) [KP-9211-070-009](#)