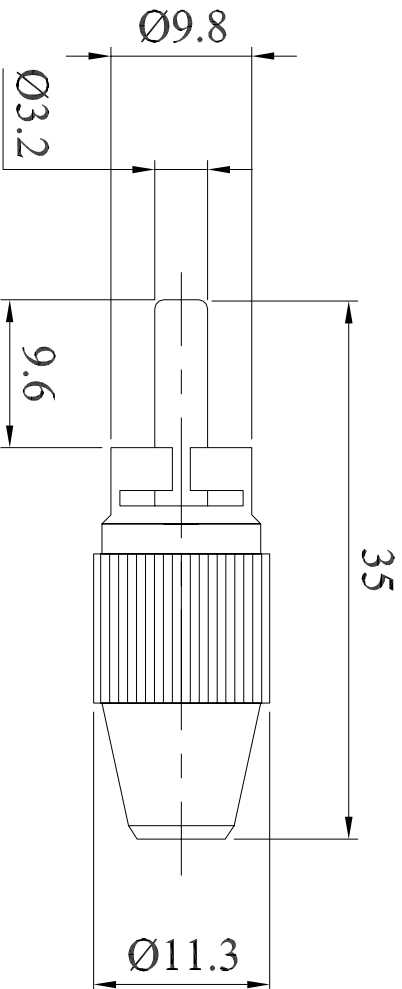


A range of plugs that are available in two pin styles; hollow or solid. The plug incorporates a unique 'T' slot design which allows the interconnection between non-standard sockets. A rigid acetal cap is offered in two colours, red or black.

- Ground contact with unique 'T' shape slots for maximum contact area.
- Internal cable clamp for secure cable connection.
- Maximum cable size 4.1mm.
- Two colours available, black or red.

Dimensions



Material	:Brass, Silver plated
Centre contact	:Brass, Silver plated
Ground contact	:Brass, Nickel plated
Insulation	:Noryl, SE1 UL94 V-1
Cable clamp	:Brass, Silver plated
Spring	:Brass, Nickel plated
Body	:Brass, Nickel plated
Cap	:Acetal, UL 94 HB
Ratings	:5 Amps at 200 Vdc 150 Vac max.
Insulation resistance	:100M Ω at 500 Vdc

Delttron Part No	
413-000	414-0000
415-0000	416-0000

HOLLOW PIN	BLACK	RED
NICKEL	413-0100	413-0500
GOLD	414-0100	414-0500

SOLID PIN	BLACK	RED
NICKEL	415-0100	415-0500
GOLD	416-0100	416-0500

CONVERTED FROM PS0466 ISS4 (01.07.94) IN JAN 2003

Drgn No 413-414-415-416

TITLE STANDARD PHONO PLUG WITH INSULATED HOUSING

ALL DIMENSIONS IN MM
ANGLES IN DECIMAL DEGREES



DELTRON Components

ES 4

GENERAL SPECIFICATION FOR 413-414-415-416

CUSTOMER

Aprvd Date 03/02/03

Aprvd By MC

FILTER REF
Drwn by BS

Scale: NTS

Sheet 1 / 1

X-ON Electronics

Largest Supplier of Electrical and Electronic Components

Click to view similar products for [deltron](#) manufacturer:

Other Similar products are found below :

[610-0700](#) [651-0800](#) [342-0000](#) [W127G](#) [066541F](#) [066542D](#) [W205C](#) [W106C](#) [611-0700](#) [717-0400](#) [456-0020](#) [460-0070](#) [479-0020-5](#) [486-121209-66](#) [480-C010](#) [490-170805E-68](#) [459-0080](#) [459-0140](#) [590-0700](#) [MDU14S](#) [4MP2616](#) [461-0030](#) [461-0050](#) [571-0400-01](#) [480-C040](#) [462-0020E](#) [552-0600](#) [WHT](#) [4DR3522](#) [487-261612E-66](#) [486-261609-68](#) [000-035-100](#) [466-0050](#) [356-0200](#) [702-0500](#) [711-0500](#) [800-0400](#) [487-261609E-66](#) [487-221209E-68](#) [462-0040A](#) [461-0070](#) [456-0030](#) [461-0070E](#) [490-040503A-68](#) [486-S68-2616](#) [4ELM6](#) [483-0100](#) [483-0030](#) [480-0010](#) [466-0150](#) [456-0120](#)