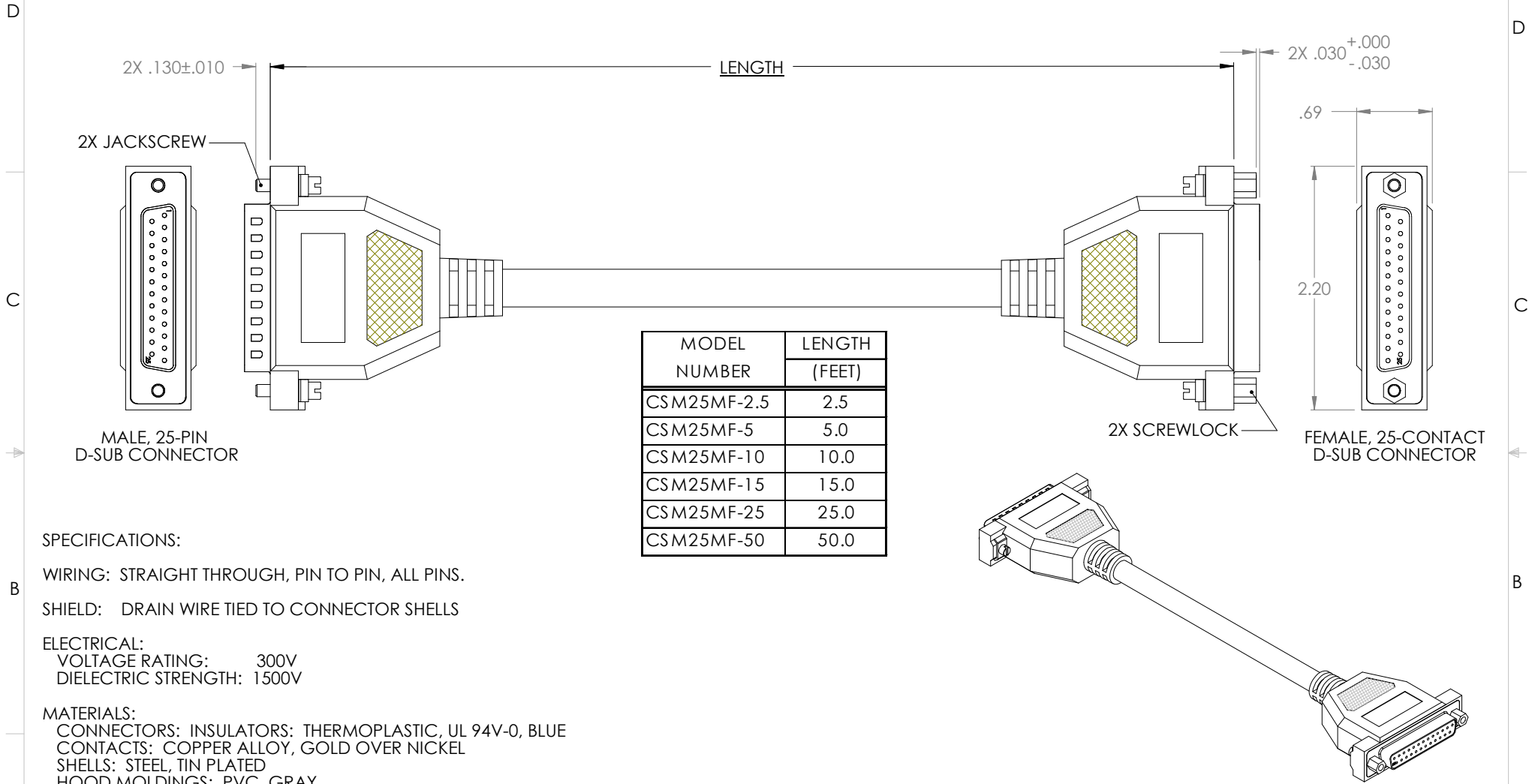


THE INFORMATION CONTAINED IN THIS DRAWING IS THE SOLE PROPERTY OF L-COM, INC. ANY REPRODUCTION IN PART OR WHOLE WITHOUT THE WRITTEN PERMISSION OF L-COM, INC. IS PROHIBITED.

REVISIONS			
REV	DESCRIPTION	DATE	APPROVED
A	RELEASED FOR PRODUCTION	5/2/01	TJC
B	REVISED DRAWING FORMAT, UP-DATED SPECIFICATIONS NOTE (ECN# 1261)	2/4/03	T CLARK
.	.	.	.
.	.	.	.



SPECIFICATIONS:

WIRING: STRAIGHT THROUGH, PIN TO PIN, ALL PINS.

SHIELD: DRAIN WIRE TIED TO CONNECTOR SHELLS

ELECTRICAL:

VOLTAGE RATING: 300V
 DIELECTRIC STRENGTH: 1500V

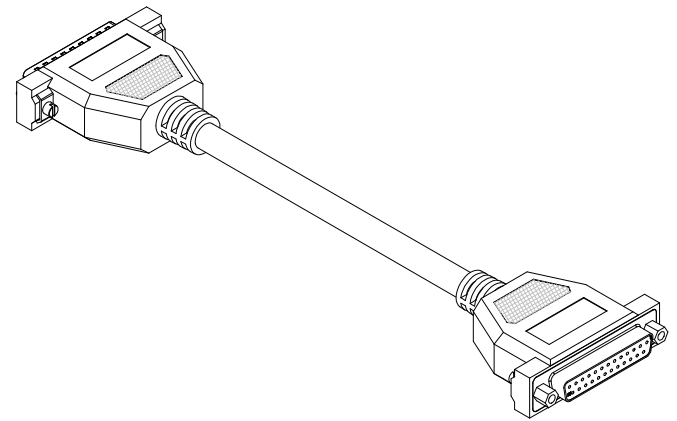
MATERIALS:

CONNECTORS: INSULATORS: THERMOPLASTIC, UL 94V-0, BLUE
 CONTACTS: COPPER ALLOY, GOLD OVER NICKEL
 SHELLS: STEEL, TIN PLATED
 HOOD MOLDINGS: PVC, GRAY
 INTERNAL SHIELD: METAL FOIL OVER PRE-MOLD (360°)
 CABLE: U.L. STYLE 2464 25 CONDUCTORS 26 AWG STRANDED TINNED COPPER
 OVERALL SHIELD: ALUMINIZED POLYESTER WITH DRAIN WIRE (100%)
 JACKET: PVC, GRAY
 HARDWARE: 4-40 THREAD, STEEL OR BRASS, NICKEL PLATED

ENVIRONMENTAL:

TEMPERATURE RANGE: -20°C TO 80°C

(REFERENCE L-COM CABLE SPECIFICATION CSM-CS1)



UNLESS OTHERWISE SPECIFIED, DIMENSIONS ARE IN INCHES TOLERANCES ARE:
 X ±.1
 .XX ±.05
 .XXX ±.005
 CABLE LENGTH TOLERANCE
 <300" ±5% >300" ±2%

APPROVALS	DATE
DRAWN BY TJC	5/21/01
CHECKED BY DFP	4/30/01
APPROVED BY CM	5/2/01

CONFIGURATION DETAILS OF UNDIMENSIONED FEATURES MAY VARY

L-com
 CONNECTIVITY PRODUCTS
 45 BEECHWOOD DRIVE
 NORTH ANDOVER, MA
 01845

PRODUCT DESCRIPTION
ECONOMY DATA CABLE ASSEMBLY

DRAWING TITLE
OUTLINE DRAWING

SIZE A	FSCM NO. 43321	DWG. NO. CSM25MF-2.5-OD1	REV. B
SCALE: 1:1	CAD FILE: CSM25MF-2.5-OD1.SLDDRW	SHEET 1 OF 1	

X-ON Electronics

Largest Supplier of Electrical and Electronic Components

Click to view similar products for [USB Cables / IEEE 1394 Cables](#) category:

Click to view products by [L-Com](#) manufacturer:

Other Similar products are found below :

[68768-0173](#) [FNY-W6003-01](#) [88764-0800](#) [13805532](#) [148700-1](#) [17-200621](#) [17-250051P](#) [954](#) [AC102012-2](#) [IP-USB1\(C10\)S-RW](#)
[CABLE/RTP/USB/DT](#) [10115240-12200LF](#) [RS232-GTD](#) [USBFTVX2SA2N03A](#) [USBFTV2SA2N03A](#) [1689404-1](#) [FTP-629Y401](#) [FTP-](#)
[628Y402](#) [943301-001](#) [FNY-W6022](#) [FNY-W6003-03](#) [1310-1015-05](#) [1310-1018-04](#) [1310-1019-04](#) [0887283402](#) [UA-30AMFM-SL7B02](#) [UA-](#)
[30AMFM-SL7B01](#) [UA-30AFM-LD7B03](#) [UA-30AMFM-SL7B03](#) [USBAPSCC7202A](#) [UES-1001A160](#) [UES-1003A160](#)
[USBFTVX7SA2N20A](#) [USBFTVX2SA2N20A](#) [USBFTV2PEMSA2N10A](#) [FTP-629Y602](#) [USBCAMCM100](#) [USB A/F*2 to 2.54 2*5P-SH](#)
[L=400mm](#) [EP-CBUSB10P2FLT](#) [1310-1033-01](#) [1310-1037-04](#) [ASR-USB](#) [68784-0075](#) [17-241361](#) [17-230471](#) [217B-BC02](#) [USB-29](#) [19800-](#)
[010500-200-RS](#) [USB+MINI DIN 6P WITH BKT](#) [088738-8100](#)