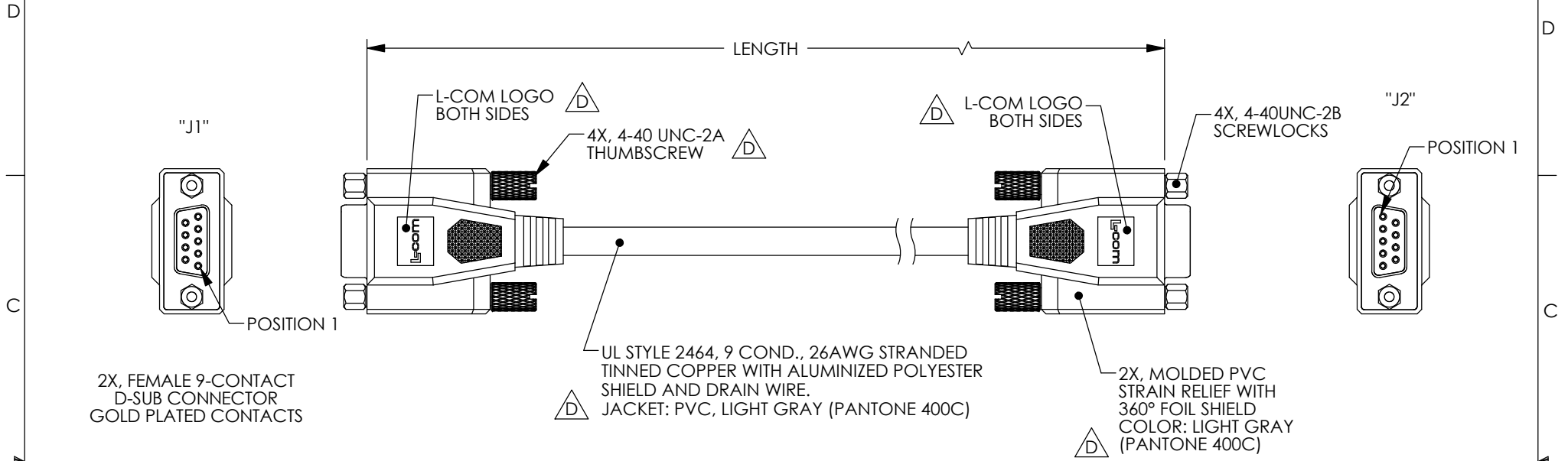


THE INFORMATION CONTAINED IN THIS DRAWING IS THE SOLE PROPERTY OF L-COM, INC. ANY REPRODUCTION IN PART OR WHOLE WITHOUT THE WRITTEN PERMISSION OF L-COM, INC. IS PROHIBITED.

RoHS Compliant ✓

REVISIONS			
REV	DESCRIPTION	DATE	APPROVED
A	RELEASED FOR PRODUCTION	7/20/01	TJC
B	ECN3189: CN RELEASE	02/08/08	D. PARHAM
C	ECN 3779: DEFINED COLOR TO LIGHT GRAY, NEW FORMAT	1/7/09	D.FRISIELLO
D	ECN 6604: ADDED NEW LOGO, FORMAT, PANTONE 400C, ALL NOTES	3/11/13	D.FRISIELLO



2X, FEMALE 9-CONTACT D-SUB CONNECTOR GOLD PLATED CONTACTS

UL STYLE 2464, 9 COND., 26AWG STRANDED TINNED COPPER WITH ALUMINIZED POLYESTER SHIELD AND DRAIN WIRE. JACKET: PVC, LIGHT GRAY (PANTONE 400C)

2X, MOLDED PVC STRAIN RELIEF WITH 360° FOIL SHIELD COLOR: LIGHT GRAY (PANTONE 400C)

WIRING MAP		
"J1"	WIRE COLOR	"J2"
1	BLACK	1
2	GRAY	3
3	RED	2
4	GREEN	4
5	BROWN	5
6	BLUE	6
7	ORANGE	7
8	YELLOW	8
9	PURPLE	9
SHELL	DRAIN WIRE	SHELL

MODEL NUMBER	LENGTH	
	FEET	METERS
CNULL9FF-5	5.0	1.52
CNULL9FF-10	10.0	3.05
CNULL9FF-25	25.0	7.62



NOTES:  
 CABLE ASSEMBLY SHALL BE TESTED FOR CONTINUITY.  
 CABLE ASSEMBLY SHALL BE INDIVIDUALLY PACKAGED IN ACCORDANCE WITH L-COM SPECIFICATION PS-0031.

UNLESS OTHERWISE SPECIFIED, DIMENSIONS ARE IN INCHES [mm] OVERALL CABLE LENGTH TOLERANCE: $\leq 12$ [305] = +1 [25] / -0 $>12$ [305] $\leq 60$ [1524] = +2 [51] / -0 $>60$ [1524] $\leq 120$ [3048] = +4 [102] / -0 $>120$ [3048] $\leq 300$ [7620] = +6 [152] / -0 $>300$ [7620] = +3% / -0% ALL OTHER DIMENSIONAL TOLERANCES: .X = ±.2 .XX = ±.02 .XXX = ±.005	APPROVALS DRAWN BY: TJC CHECKED BY: DFP APPROVED BY: CM	DATE 6/7/01 7/18/01 7/19/01	45 BEECHWOOD DRIVE NORTH ANDOVER, MA 01845	
	CONFIGURATION DETAILS OF UNDIMENSIONED FEATURES MAY VARY			CATEGORY D-SUBMINIATURE
	PROJECTION 	COLOR VARIATIONS MAY OCCUR	SIZE <b>A</b>	PRODUCT DESCRIPTION CABLE, DB9F/DB9F NULL MODEM
	CSNULL-FS01	FSCM NO. <b>43321</b>	DWG. NO. <b>CNULL9FF</b>	REV. <b>D</b>
SCALE: NONE		CAD FILE: CSNULL9FF.SLDDRW	SHEET 1 OF 1	

## X-ON Electronics

Largest Supplier of Electrical and Electronic Components

*Click to view similar products for [USB Cables / IEEE 1394 Cables](#) category:*

*Click to view products by [L-Com](#) manufacturer:*

Other Similar products are found below :

[68768-0173](#) [FNY-W6003-01](#) [88764-0800](#) [13805532](#) [148700-1](#) [17-200621](#) [17-250051P](#) [954](#) [AC102012-2](#) [IP-USB1\(C10\)S-RW](#)  
[CABLE/RTP/USB/DT](#) [10115240-12200LF](#) [RS232-GTD](#) [USBFTVX2SA2N03A](#) [USBFTV2SA2N03A](#) [1689404-1](#) [FTP-629Y401](#) [FTP-](#)  
[628Y402](#) [943301-001](#) [FNY-W6022](#) [FNY-W6003-03](#) [1310-1015-05](#) [1310-1018-04](#) [1310-1019-04](#) [0887283402](#) [UA-30AMFM-SL7B02](#) [UA-](#)  
[30AMFM-SL7B01](#) [UA-30AFM-LD7B03](#) [UA-30AMFM-SL7B03](#) [USBAPSCC7202A](#) [UES-1001A160](#) [UES-1003A160](#)  
[USBFTVX7SA2N20A](#) [USBFTVX2SA2N20A](#) [USBFTV2PEMSA2N10A](#) [FTP-629Y602](#) [USBCAMCM100](#) [USB A/F\\*2 to 2.54 2\\*5P-SH](#)  
[L=400mm](#) [EP-CBUSB10P2FLT](#) [1310-1033-01](#) [1310-1037-04](#) [ASR-USB](#) [68784-0075](#) [17-241361](#) [17-230471](#) [217B-BC02](#) [USB-29](#) [19800-](#)  
[010500-200-RS](#) [USB+MINI DIN 6P WITH BKT](#) [088738-8100](#)