

HOFFMAN WATERSHED™, TYPE 4X

INDUSTRY STANDARDS

Mounting brackets required to meet UL/cUL external mounting requirement.

UL 508A Listed; Type 4, 4X, 12; File Number E61997
 cUL Listed per CSA C22.2 No 94; Type 4, 4X, 12; File Number E61997

NSF 169
 NEMA/EEMAC Type 4, 4X, 12
 IEC 60529, IP66

APPLICATION

Specifically designed for use in sanitary washdown production environments, particularly food and beverage manufacturing. Hoffman WATERSHED™ Enclosures feature a sloped top, sloped door edges, bullet-style hinges and additional unique features that facilitate washdown runoff.

SPECIFICATIONS

- Manufactured from 14 gauge Type 304 stainless steel
- Seams continuously welded and ground smooth
- Smooth Type 304 stainless steel lift-off bullet-style hinges
- Hinges are shielded by door
- Hinged side of door has provisions to allow direct flushing of hinge area
- 20-degree sloped top facilitates runoff of water and cleaning solutions and prohibits the placement of objects on the top of the enclosure
- 170-degree door opening
- Door edges are sloped 20-degrees at top and bottom edges to facilitate runoff
- Slanted flange trough collar prohibits pooling of fluids along the top edge of the enclosure opening
- Stainless steel quarter-turn latches furnished with flush slotted insert
- Seamless foam-in-place gasket
- Self-grounding latch system with double seal
- Bonding provision on door; grounding stud on body
- Panel studs fit optional NEMA style panels
- Mounting holes in back of body for direct mounting, optional stand-off kit or mounting bracket kit
- Furnished hardware kit consists of panel mounting nuts, grounding hardware and sealing washers for wall-mounting holes

FINISH

External surfaces have a #4 brushed finish.

ACCESSORIES

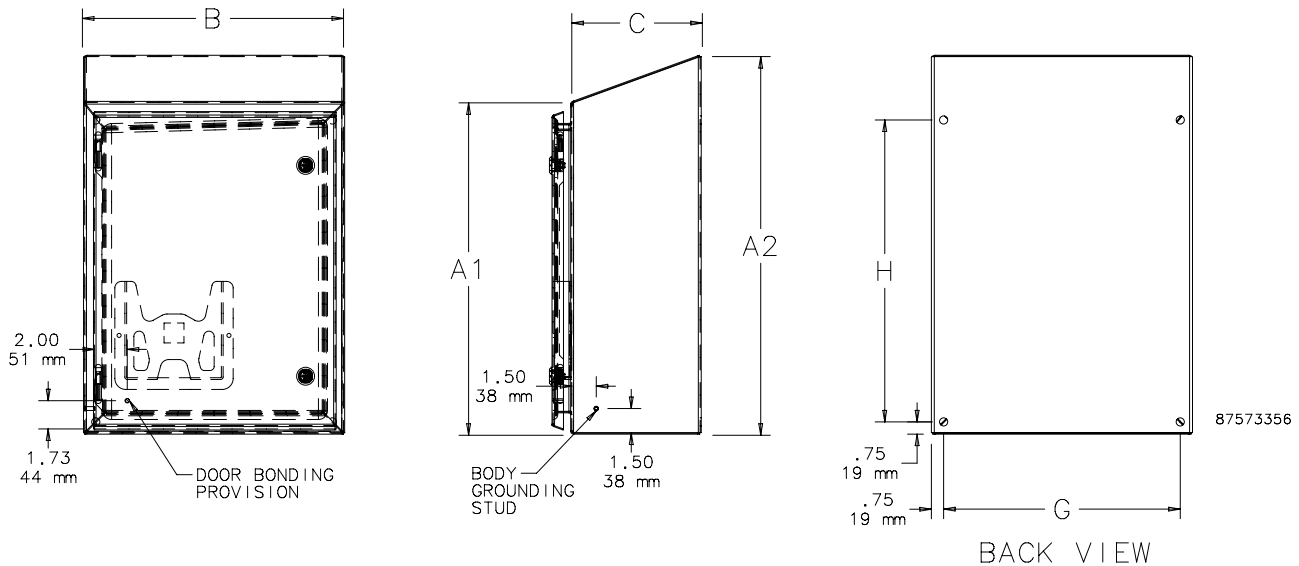
See also Accessories.
 Mounting Bracket Kit
 Panels for Type 3R, 4, 4X, 12 and 13 Enclosures
 Stand-Off Kit
 Padlocking Handle Kit
 Padlocking Latch Kit
 H₂OMIT™ Vent Drains, Type 4X
 H₂OMIT™ Thermoelectric Dehumidifier

BULLETIN: WS1

Standard Product

| Catalog Number | AxBxC in./mm | Panel | Conductive Panel | A1 in./mm | A2 in./mm | G in./mm | H in./mm | Latch Qty. |
|----------------|---|--------|------------------|---------------|---------------|--------------|---------------|------------|
| WS161208SS | 16.00 x 12.00 x 8.00 406 x 305 x 203 | A16P12 | A16P12G | 16.20 411 | 19.10 485 | 10.50 267 | 14.50 368 | 2 |
| WS161608SS | 16.00 x 16.00 x 8.00 406 x 406 x 203 | A16P16 | A16P16G | 16.30 414 | 19.20 488 | 14.50 368 | 14.50 368 | 2 |
| WS201608SS | 20.00 x 16.00 x 8.00 508 x 406 x 203 | A20P16 | A20P16G | 20.30 516 | 23.20 589 | 14.50 368 | 18.50 470 | 2 |
| WS202008SS | 20.00 x 20.00 x 8.00 508 x 508 x 203 | A20P20 | A20P20G | 20.40 518 | 23.31 592 | 18.50 470 | 18.50 470 | 2 |
| WS242008SS | 24.00 x 20.00 x 8.00 610 x 508 x 203 | A24P20 | A24P20G | 24.40 620 | 27.31 694 | 18.50 470 | 22.50 572 | 2 |
| WS242408SS | 24.00 x 24.00 x 8.00 610 x 610 x 203 | A24P24 | A24P24G | 24.51 623 | 27.41 696 | 22.50 572 | 22.50 572 | 4 |
| WS302408SS | 30.00 x 24.00 x 8.00 762 x 610 x 203 | A30P24 | A30P24G | 30.51 785 | 33.41 849 | 22.50 572 | 28.50 724 | 4 |
| WS303008SS | 30.00 x 30.00 x 8.00 762 x 762 x 203 | A30P30 | A30P30G | 30.67 779 | 33.57 853 | 28.50 724 | 28.50 724 | 4 |
| WS363008SS | 36.00 x 30.00 x 8.00 914 x 762 x 203 | A36P30 | A36P30G | 36.67 931 | 39.57 1005 | 28.50 724 | 34.50 876 | 5 |
| WS201612SS | 20.00 x 16.00 x 12.00 508 x 406 x 305 | A20P16 | A20P16G | 20.30 516 | 24.66 626 | 14.50 368 | 18.50 470 | 2 |
| WS202012SS | 20.00 x 20.00 x 12.00 508 x 508 x 305 | A20P20 | A20P20G | 20.40 518 | 24.76 629 | 18.50 470 | 18.50 470 | 2 |
| WS242412SS | 24.00 x 24.00 x 12.00 610 x 610 x 305 | A24P24 | A24P24G | 24.51 623 | 28.87 733 | 22.50 572 | 22.50 572 | 4 |
| WS302412SS | 30.00 x 24.00 x 12.00 762 x 610 x 305 | A30P24 | A30P24G | 30.51 775 | 34.87 886 | 22.50 572 | 28.50 724 | 4 |
| WS363012SS | 36.00 x 30.00 x 12.00 914 x 762 x 305 | A36P30 | A36P30G | 36.67 931 | 41.03 1042 | 28.50 724 | 34.50 876 | 5 |
| WS363612SS | 36.00 x 36.00 x 12.00 914 x 914 x 305 | A36P36 | A36P36G | 36.82 935 | 41.18 1046 | 34.50 876 | 34.50 876 | 5 |
| WS363016SS | 36.00 x 30.00 x 16.00 914 x 762 x 406 | A36P30 | A36P30 | 36.82 935 | 42.64 1083 | 28.50 724 | 34.50 876 | 5 |
| WS483616SS | 48.00 x 36.00 x 16.00 1219 x 914 x 406 | A48P36 | A48P36G | 48.82 1240 | 54.64 1388 | 34.50 876 | 46.50 1181 | 5 |
| WS603616SS | 60.00 x 36.00 x 16.00 1524 x 914 x 406 | A60P36 | A60P36G | 60.82 1545 | 66.64 1693 | 34.50 876 | 58.50 1486 | 5 |

Purchase panels separately. Optional stainless steel, conductive or aluminum panels are available.
 WS603616SS back is 10 gauge stainless steel.



MOUNTING BRACKET KIT



Type 304 stainless steel brackets are field-installable. Brackets maintain Type 4X rating. All hardware is included. Four brackets per kit.

Top brackets must be mounted to the sides of enclosure.

BULLETIN: A80

| Catalog Number | Description |
|----------------|---|
| CMFKSS | Type 304 stainless steel mounting bracket kit |

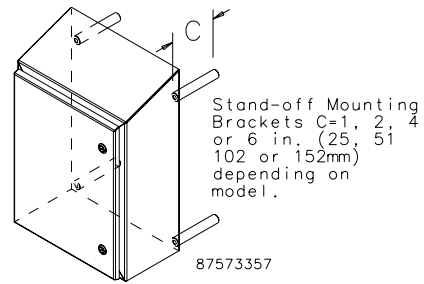
STAND-OFF KIT



Stand-offs provide space between wall-mount enclosure and wall for better washdown accessibility. Maintains Type 4X rating. Sealing washers included. Four stand-offs per kit.

BULLETIN: WSY

| Catalog Number | C (in.) | C (mm) |
|----------------|---------|--------|
| WSSOK1SS | 1.00 | 25 |
| WSSOK2SS | 2.00 | 51 |
| WSSOK4SS | 4.00 | 102 |
| WSSOK6SS | 6.00 | 152 |



PADLOCKING HANDLE KIT



Type 304 stainless steel padlocking handle for use on Hoffman WATERSHED™ Wall-Mount Enclosures. Maintains Type 4X rating.

BULLETIN: WSY

| Catalog Number | Description |
|----------------|-----------------------------------|
| WSHPL | Stainless Steel Padlocking Handle |

PADLOCKING LATCH KIT



Type 304 stainless steel padlocking latch for use on Hoffman WATERSHED™ Wall-Mount Enclosures. Maintains Type 4X rating.

BULLETIN: WSY

| Catalog Number | Description |
|----------------|----------------------|
| WSLPL | Padlocking Latch Kit |

Notes

X-ON Electronics

Largest Supplier of Electrical and Electronic Components

Click to view similar products for [hoffman manufacturer](#):

Other Similar products are found below :

[A-1412CHQR](#) [CSD201610](#) [CSD20168SS](#) [CSD20206](#) [CSD20208SS](#) [CSD24168](#) [CSD36248](#) [PCU7](#) [PDS76R](#) [PRA197TP](#) [PT126](#)
[A1008CHNFSS](#) [A10106CH](#) [A10106CHFL](#) [A10106PHCW](#) [A1066JFGQRR](#) [A1210CHNF](#) [A1212SC](#) [A1412CHNFSS](#) [A161208LP](#)
[A161410CH](#) [A16H12ALP](#) [A16P14](#) [A16P16G](#) [A18P16AL](#) [A20H16BLP](#) [A20P16](#) [A24H2408SSLP](#) [Q13138PCE](#) [A404CH](#) [A606CHNF](#)
[A606NF](#) [A806SC](#) [A845JFGR](#) [A864CHQRFGW](#) [A90P36F1](#) [HJ1412HWPL2LG](#) [HJ1816HWPL2LG](#) [RHJ1210HWPL2LG](#) [AS125SS](#)
[ASE10X10X4](#) [ASE12X12X4](#) [E1PBG](#) [E2PBG](#) [E3PB](#) [LED24V15](#) [LF230VD](#) [A10106PHC](#) [A10P8SS](#) [A1210CHEMC](#)