

MINIATURE SWITCHES

6x6mm Tact Switches

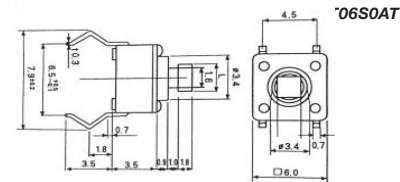
- Advanced switch technology
- Positive tactile action
- Tamper proof application
- Flow solder wash-away cleaning
- Through-hole PCB, surface mount & horizontal terminals
- Square & round button styles
- Other button heights available
- Can be supplied taped for auto-insertion, add suffix /T

| SPECIFICATION | |
|---------------------|--|
| Rating | 50mA/12VDC |
| Contact resistance | 100mΩ max |
| Insulation strength | 100MΩ min/500VDC |
| Electrical life | CST06S00T 30,000 operations min |
| | CST06S00S 30,000 operations min |
| | CST06S00H 100,000 operations min |
| Temperature range | -10°C to +60°C |
| Operating force | 160 ± 70g |
| Material | Case Nylon |
| | Button Nylon |
| | Contacts Phosphor Bronze Silver Plated |
| Terminals | Brass Silver Plated |

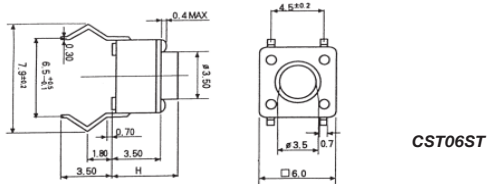
Through-hole PCB Terminals

| TYPE NO. | BUTTON HEIGHT | BUTTON SIZE |
|-----------|---------------|-------------|
| CST06S0AT | 7.4mm | 2.4 x 2.4mm |
| CST06S43T | 4.3mm | ø3.4mm |
| CST06S05T | 5mm | ø3.4mm |
| CST06S73T | 7.3mm | ø3.4mm |
| CST06S08T | 8mm | ø3.4mm |
| CST06S95T | 9.5mm | ø3.4mm |
| CST06S13T | 13mm | ø3.4mm |

CST06S0AT



CST06ST

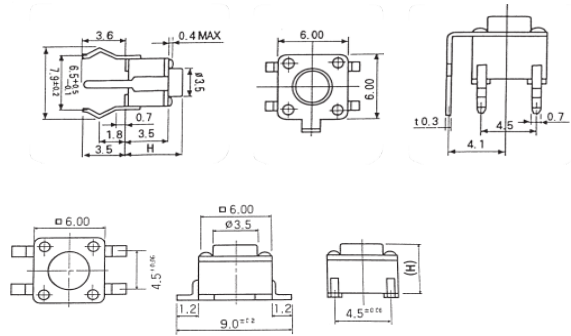


Surface Mount Terminals

| TYPE NO. | BUTTON HEIGHT |
|-----------|---------------|
| CST06S43S | 4.3mm |
| CST06S05S | 5mm |
| CST06S08S | 8mm |

Suffix /T = Tape & Reel

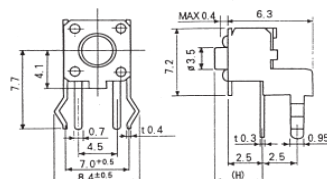
CST06SS



Horizontal PCB Terminals

| TYPE NO. | BUTTON HEIGHT |
|-----------|---------------|
| CST06S43H | 4.3mm |
| CST06S05H | 5mm |
| CST06S08H | 8mm |

CST06SH



CST06S Series Replaces CB001 Series
 Example CST06S0AT replaces CB001A
 Example CST06S43S replaces CB001-IFS
 Example CST35643T replaces CB004FS



+44 (0)1638 716101
 info@camdenboss.com
 www.camdenboss.com

We operate a constant improvement policy,
 our products are subject to change without notice.

Ver 1.0

X-ON Electronics

Largest Supplier of Electrical and Electronic Components

Click to view similar products for [Tactile Switches](#) category:

Click to view products by [Camden](#) manufacturer:

Other Similar products are found below :

[KMR633NG LFG](#) [5GTH9202242](#) [6426-201-11343](#) [MJ1226](#) [MJTP1109B](#) [MJTP1138EAUTR](#) [MJTP1230BL](#) [MJTPSHW](#) [GS6.90F300QP](#) [1-1977223-0](#) [1-1977120-4](#) [ADTSA62NV](#) [ADTSA62RV](#) [ADTSA63KV](#) [ADTSA644NV](#) [ADTSM24NVTR](#) [ADTSMW66NV](#) [ADTSMW67RV](#) [ATM533VTR](#) [1571300-3](#) [B3F-3123](#) [B3F-6055A](#) [B3F-B32-01-KIT](#) [1977177-8](#) [1977266-1](#) [2-1977223-4](#) [2-1977223-7](#) [ADTS644KV](#) [ADTSA61RV](#) [ADTSA62KV](#) [ADTSA63NV](#) [ADTSA63RV](#) [ADTSA65NV](#) [ADTSM21NSVTR](#) [ADTSM25RVTR](#) [ADTSM31RVTR](#) [ADTSM32NVTR](#) [ADTSM61YVTR](#) [ADTSM63SVTR](#) [ADTSM644KVTR](#) [ADTSMW64RV](#) [ADTSMW69NV](#) [FSMRA4JHA04](#) [GS4.70F300QP](#) [D38999/20JJ37SA](#) [TL1105B](#) [TL1105J](#) [ATH447K2Q](#) [ATM534VTR](#) [MJ1215](#)