


CAMBLOCK

7.5mm Pitch Standard Profile Rising Clamp Terminal

- 2 & 3 pole double interlocking mechanism for increased strength
- 4-12 solid block end stackable
- Moulded in green UL94-V0 flame retardant PA66
- Professional rising clamp terminals
- 0.33-3.3 mm² (22-12 AWG)
- Guided pin alignment
- Captive screw
-  us approved

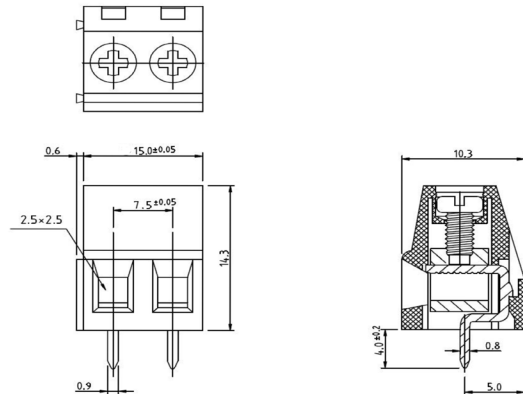
CTB0112



TYPE NO.	POLES	LENGTH
CTB0112/2	2	15mm
CTB0112/3	3	22.5mm
CTB0112/4	4	30mm
CTB0112/5	5	37.5mm
CTB0112/6	6	45mm
CTB0112/7	7	52.5mm
CTB0112/8	8	60mm
CTB0112/9	9	67.5mm
CTB0112/10	10	75mm
CTB0112/11	11	82.5mm
CTB0112/12	12	90mm

SPECIFICATION

Rating	10A 300V
Insulation resistance	5000M Ω /1000V
Withstand Voltage	AC1500V/1min
Contact Resistance	20m Ω
Working Temperature	-33°C to +120°C
Mouldings	UL94-V0 flame retardant PA66
Pin/Terminal	Tin plated brass
Wire clamp	Nickel plated brass
Screw/Torque	M2.5 Steel, Nickel Plated 0.4Nm
Recommended PCB hole size	ϕ 1.5mm



PCB
TERMINAL
BLOCKS

X-ON Electronics

Largest Supplier of Electrical and Electronic Components

Click to view similar products for [camden manufacturer](#):

Other Similar products are found below :

[412689X](#) [CTBP92VE/12R](#) [CTBP9350/12](#) [IND515205-240-T/GRN](#) [IND515205-240-T/RD](#) [IND5032405-240-T/GRN](#) [CE10.00.EI](#)
[C192SHAND](#) [CNMB/6ST/2](#) [CNMB/4ST/2](#) [CSACST004](#) [CTBP9200/9](#) [CIME/M/BE2250SS](#) [CHH64E1BL](#) [CIM/15W-DMFS](#) [CHHBAT2GY](#)
[CFTBN/2](#) [CCB2S1/04](#) [CHDX6-221C](#) [CHDX8-224](#) [CHDASMP29](#) [CHDASMP34](#) [CHDX810DD](#) [CHDX811DD](#) [CCTTM40LR](#)
[CTBP92VJ/5S](#) [CTBP92VJ/8R](#) [CTSN431/12/M](#) [CTSN433/12/M](#) [CUABOX006](#) [CE10.00.FM](#) [CBRPH-BLK](#) [BIM2003/13-WH/WH](#)
[RX2008/S-5-WH](#) [CBARD-CAR](#) [CRDCG0007](#) [CNMB/4/KIT](#) [CTB5050/5](#) [CTBP92HE/11](#) [CTBP9358/10AO](#) [CHH66C2GY](#) [CHH456PBK](#)
[CHH451ABK](#) [CIM/9W-DMFS](#) [CIM/25W-DMFS](#) [RTM5006/16-NC-BLK](#) [IND5032405-125-T/AMB](#) [CCB1S1/03](#) [CCD2S1/04](#) [CCE1S1/05](#)