

Soft Ferrites

Cable shields

CABLE SHIELDS FOR EMI SUPPRESSION

Tubular cable shields

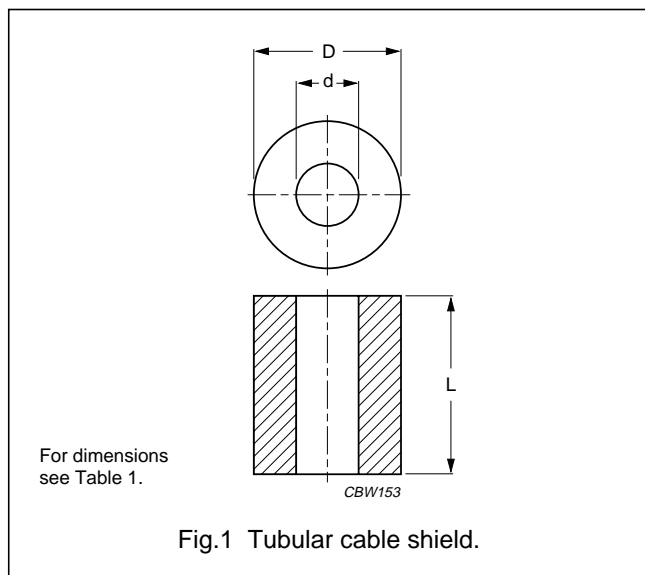


Table 1 Type numbers, dimensions and parameters; see Fig.1

TYPE NUMBER	DIMENSIONS			Z _{typ} ⁽¹⁾ (Ω) at	
	D	d	L	25 MHz	100 MHz
CST7.8/5.3/9.8-3S4 des	7.8 ±0.2	5.3 +0.3	9.8 ±0.2	33	50
CST8.3/3.5/10-3S4 des	8.3 -0.4	3.5 +0.3	10 -0.6	70	96
CST9.5/4.8/6.4-4S2 des	9.5 ±0.25	4.75 ±0.25	6.35 ±0.35	23	50
CST9.5/4.8/10-4S2 des	9.5 ±0.25	4.75 ±0.25	10.4 ±0.25	53	80
CST9.5/4.8/19-4S2 des	9.5 ±0.25	4.75 ±0.25	19.05 ±0.7	100	145
CST9.5/5.1/15-3S4 des	9.5 ±0.3	5.1 ±0.15	14.5 ±0.45	66	110
CST9.7/5/5.1-4S2 des	9.65 ±0.25	5 ±0.2	5.05 -0.45	26	43
CST14/6.4/29-4S2 des	14.3 ±0.45	6.35 ±0.25	28.6 ±0.75	170	250
CST14/7.3/29-4S2 des	14.3 ±0.45	7.25 ±0.15	28.6 ±0.75	143	215
CST16/7.9/14-4S2 des	16.25 -0.75	7.9 ±0.25	14.3 ±0.35	70	113
CST16/7.9/29-4S2 des	16.25 -0.75	7.9 ±0.25	28.6 ±0.75	130	213
CST17/9.5/13-3S4 des	17.45 ±0.35	9.53 ±0.25	12.7 ±0.5	55	90
CST17/9.5/13-4S2 des	17.45 ±0.4	9.5 ±0.25	12.7 ±0.5	55	88
CST17/9.5/29-3S4 des	17.45 ±0.35	9.53 ±0.25	28.55 ±0.75	125	200
CST17/9.5/29-4S2 des	17.45 ±0.35	9.53 ±0.25	28.55 ±0.75	125	250
CST17/11/60-3S4 des	17.2 -1.2	11 ±0.5	60 -2.5	200	320
CST19/10/29-4S2 des	19 -0.65	10.15 ±0.25	28.6 ±0.75	128	196
CST19/11/12-3S4 des	19 ±0.4	10.6 ±0.3	11.5 ±0.4	50	75
CST26/13/29-4S2 des	25.9 ±0.75	12.8 ±0.25	28.6 ±0.8	145	225
CST29/19/7.5-4S2 des	29 ±0.75	19 ±0.5	7.5 ±0.25	28	47

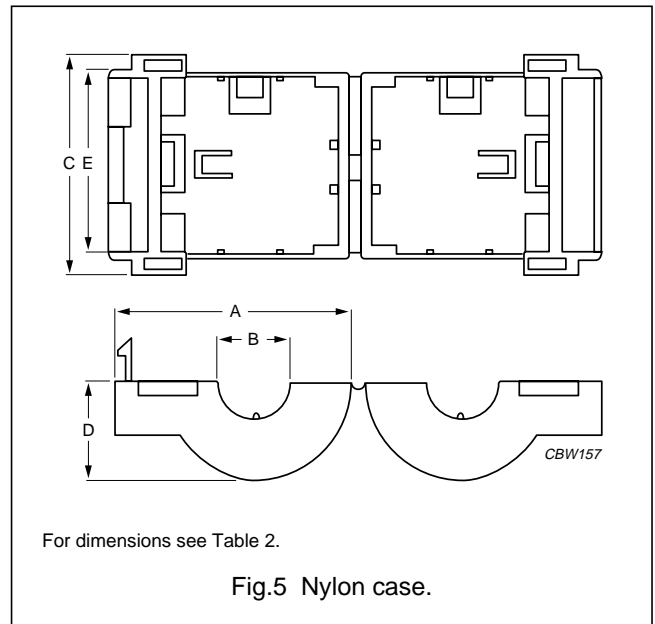
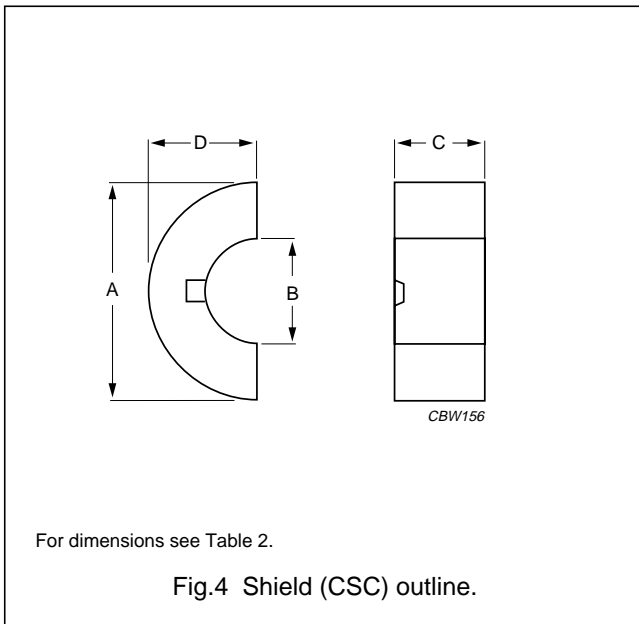
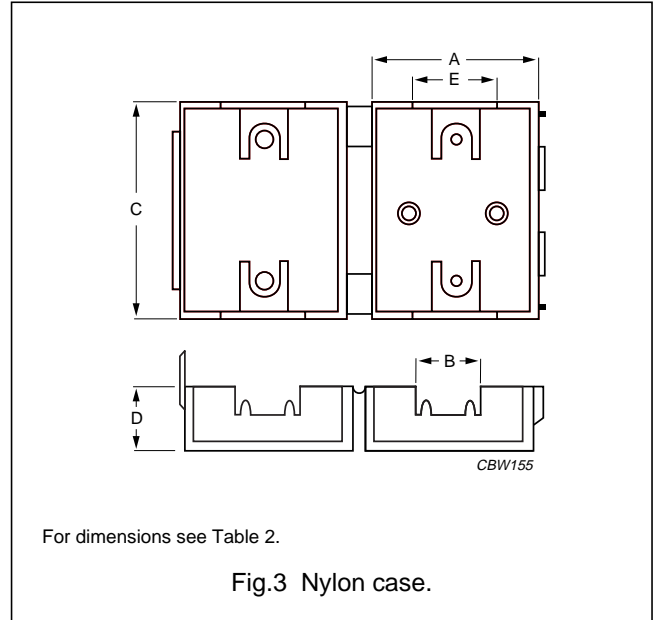
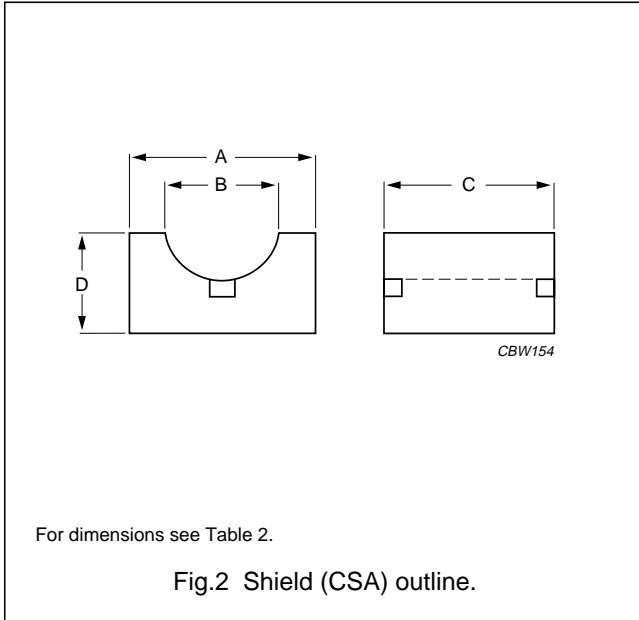
Note

1. Minimum guaranteed impedance is |Z|_{typ} -20%.

Soft Ferrites

Cable shields

Round cable shields (split)











General data

ITEM	SPECIFICATION
Case material	polyamide (PA66), glass reinforced, flame retardant in accordance with "UL94V-0", grade A82, colour black

Soft Ferrites

Cable shields

Table 2 Type numbers, dimensions and parameters; see Figs 2 to 3

TYPE NUMBER	FIG.	DIMENSIONS					$ Z _{\text{typ}}^{(1)}$ (Ω) at		
		A	B	C	D	E	25 MHz	100 MHz	
Round cable shields									
CSA15/7.5/29-4S2 	2	15 ±0.25	6.6 ±0.3	28.6 ±0.8	7.5 ±0.15	–	165	275	
CSA19/9.4/29-4S2 	2	18.65 ±0.4	10.15 ±0.3	28.6 ±0.8	9.4 ±0.15	–	140	225	
CSA26/13/29-4S2 	2	25.9 ±0.5	13.05 ±0.3	28.6 ±0.8	12.8 ±0.25	–	155	250	
CSC16/7.9/14-4S2 	4	15.9 ±0.4	7.9 ±0.3	14.3 ±0.4	7.95 ±0.2	–	50	113	
Round cable shields in matching nylon cases									
CSA15/7.5/29-4S2-EN 	2+3	17.9	7.0	32.3	9.2	9.0	165	275	
Nylon case	3	17.9	7.0	32.3	9.2	9.0	–	–	
CSA19/9.4/29-4S2-EN 	2+3	22.1	10.2	32.3	11.7	9.0	140	225	
Nylon case	3	22.1	10.2	32.3	11.7	9.0	–	–	
CSA26/13/29-4S2-EN 	2+3	29	13.4	32.5	14.8	18.0	155	250	
Nylon case	3	29	13.4	32.5	14.8	18.0	–	–	
CSC16/7.9/14-4S2-EN 	4+5	24.7	7.6	22.8	10.2	17.8	50	113	
Nylon case	5	24.7	7.6	22.8	10.2	17.8	–	–	

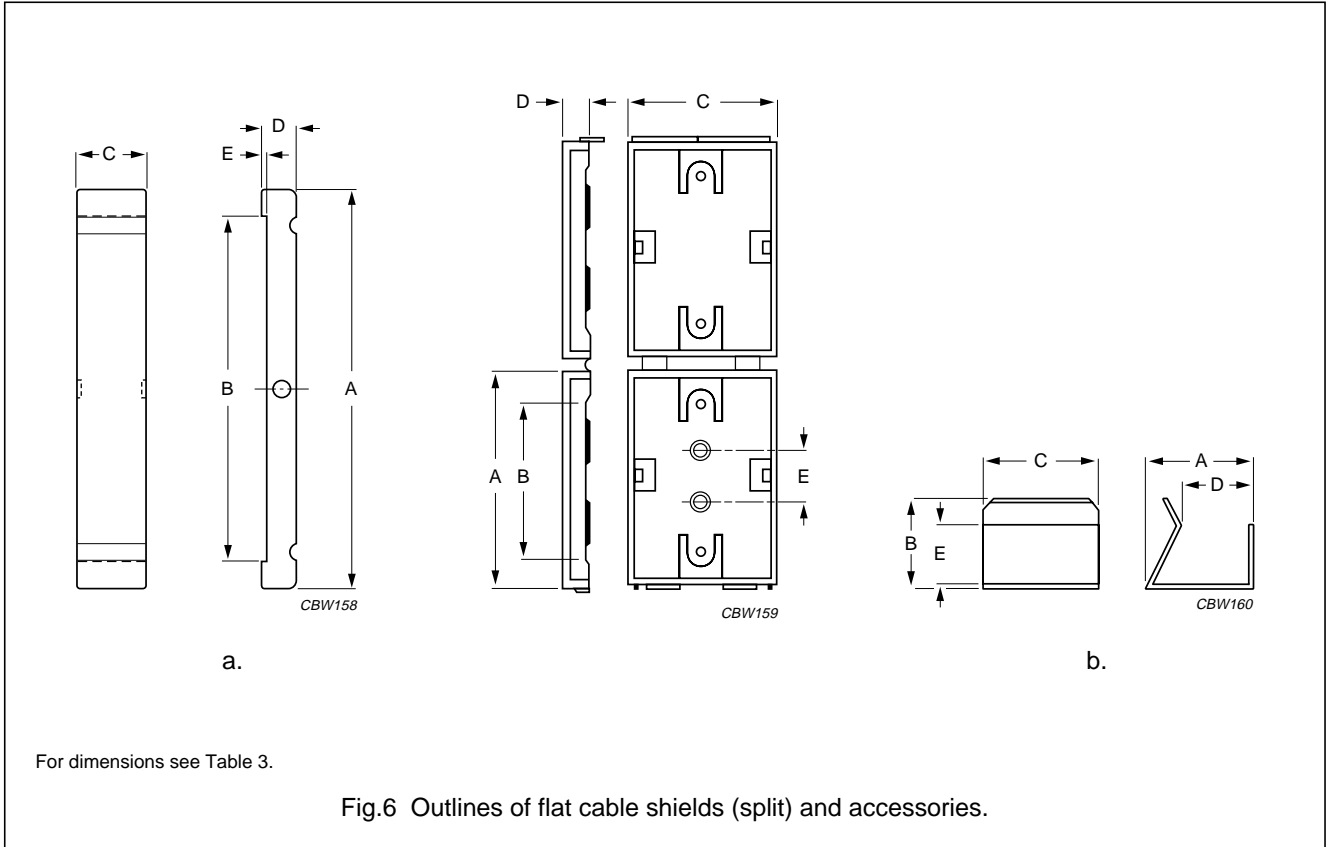
Note

1. Minimum guaranteed impedance is $|Z|_{\text{typ}} - 20\%$.

Soft Ferrites

Cable shields

Flat cable shields (split)











Soft Ferrites

Cable shields

General data

ITEM	SPECIFICATION
Case material	polyamide (PA66), glass reinforced, flame retardant in accordance with "UL94V-0", grade A82, colour black
Clip material	spring steel (0.5 mm), zinc plated

Table 3 Type numbers, dimensions and parameters; see Fig.6

TYPE NUMBER	FIG.	DIMENSIONS					$ Z _{\text{typ}}^{(1)}$ (Ω) at		
		A	B	C	D	E	25 MHz	100 MHz	
Flat cable shields (split)									
CSU45/6.4/29-4S2 	6a	45.1 ±0.75	34.4 ±0.7	28.6 ±0.7	6.35 ±0.25	0.85 ±0.2	96	225	
CSU76/6.4/13-3S4 	6a	76.2 ±1.5	65.3 ±1.3	12.7 ±0.4	6.35 ±0.25	0.85 ±0.2	36	110	
CSU76/6.4/15-3S4 	6a	76.2 ±1.5	65.3 ±1.3	15.0 ±0.6	6.35 ±0.25	0.85 ±0.2	50	159	
CSU76/6.4/29-4S2 	6a	76.2 ±1.5	65.3 ±1.3	28.6 ±0.8	6.35 ±0.25	0.85 ±0.2	75	215	
CSU76/6.4/29-3S4 	6a	76.2 ±1.5	65.3 ±1.3	28.6 ±0.8	6.35 ±0.25	0.85 ±0.2	70	235	
CLI-CSU6.4 	6c	16.1	11.0	12.7	11.4	8.0	–	–	
Flat cable shields in matching nylon cases									
CSU45/6.4/29-4S2-EN 	6a+b	49.5	34.3	32.3	8.1	20	96	225	
Nylon case	6b	49.5	34.3	32.3	8.1	20	–	–	
CSU76/6.4/29-4S2-EN 	6a+b	80.8	65.5	32.3	8.1	50.8	75	215	
Nylon case	6b	80.8	65.5	32.3	8.1	50.8	–	–	

Note

1. Minimum guaranteed impedance is $|Z|_{\text{typ}} - 20\%$.

Soft Ferrites

Cable shields

Flat cable shields

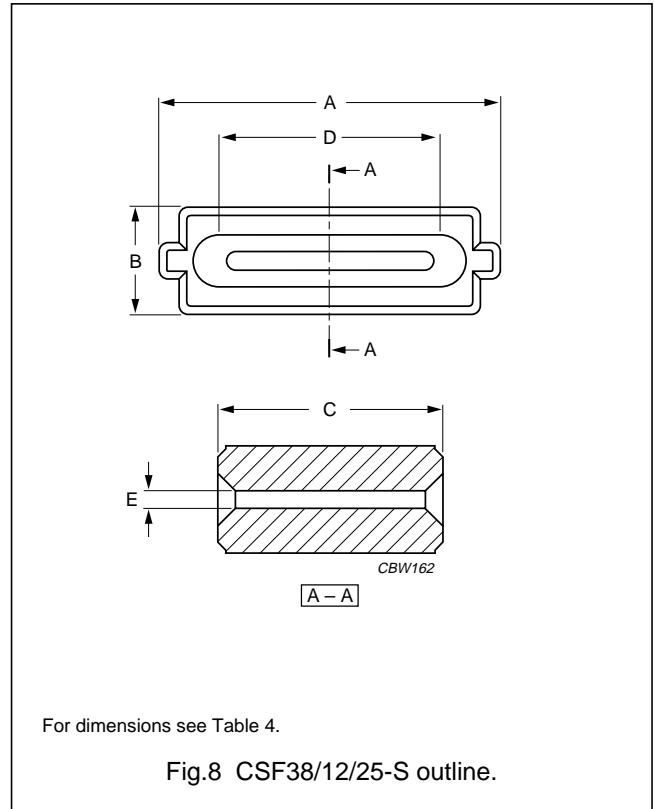
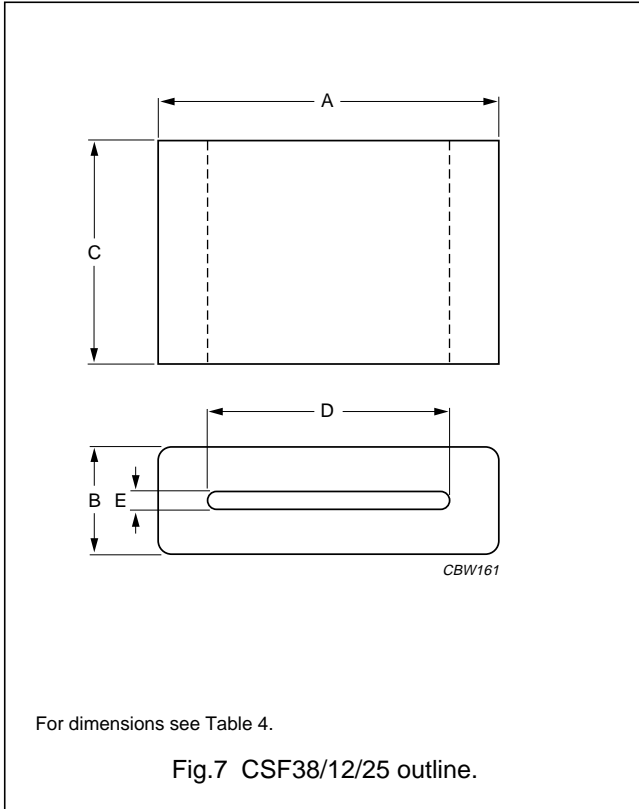


Table 4 Type numbers, dimensions and parameters; see Figs 7 and 8

TYPE NUMBER	FIG.	DIMENSIONS					$ Z _{typ}^{(1)}$ (Ω) at	
		A	B	C	D	E	25 MHz	100 MHz
Flat cable shields								
CSF38/12/25-3S4	7	38.1 ±1.0	12.1 ±0.35	25.4 ±0.75	26.7 ±0.75	1.9 ±0.35	110	215
CSF38/12/25-3S4-S	8	38.5 ±0.6	12.1 ±0.4	25.4 ±0.8	26.8 ±0.8	1.9 ±0.4	98	196

Note

1. Minimum guaranteed impedance is $|Z|_{typ} - 20\%$.

X-ON Electronics

Largest Supplier of Electrical and Electronic Components

Click to view similar products for [ferroxcube](#) manufacturer:

Other Similar products are found below :

[014660H](#) [P66/56-3F3](#) [EFD30/15/9-3C94](#) [CPV-RM12/I-1S-12PD-TZ](#) [RM10/I-3C90](#) [TX102/66/25-3C11](#) [CPHS-EFD20/7-1S-10P](#)
[EFD30/15/9-3C90](#) [TX63/38/25-3E25](#) [EFD15/8/5-3F3-A63-S](#) [T102/66/25-3C90](#) [CPH-ETD59-1S-24P](#) [ETD49-3C94](#) [ETD59/31/22-3C90](#)
[ER11-3F3-S](#) [4312-020-37500](#) [RM10/I-3C90-A250](#) [E25/13/7-3F3](#) [CPH-U15/11/6-1S-4P](#) [4322-021-35150](#) [RM6S-3H3](#) [E55/28/21-3F3](#) [CON-](#)
[P30/19](#) [U15/11/6-3C94](#) [CLI-EFD15](#) [U93/76/30-3C94](#) [EFD30/15/9-3F3](#) [058374D](#) [EFD15/8/5-3F3-S](#) [058351G](#) [TN32/19/13-3F3](#) [U93/76/16-](#)
[3C90](#) [RM10/I3C90-A400](#) [CSHS-EFD15-1S-8P-Z](#) [RM14/I-3F3](#) [EFD20/10/7-3F3](#) [CSH-EFDD20-1S-8P](#) [E42/21/15-3C94](#) [E65/32/27-3F3](#)
[TX10/6/4-3E5](#) [EFD20-3C90/K](#) [ETD54-3C94](#) [CLI-EFD30](#) [TX102/66/15-3C11](#) [TX58/41/18-3C11](#) [CLI-EP13](#) [009968H](#) [4322-020-97010](#)
[TX58/41/18-3E25](#) [TN13/7.5/5-3F3](#)