
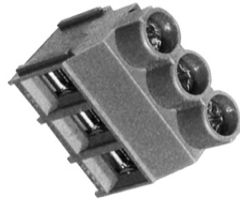


6.35mm Pitch Power Terminal Rising Clamp Terminal

Features

- 2 & 3 pole double interlocking mechanism for increased strength
- Moulded in green UL94-V0 flame retardant PA68
- Professional rising clamp terminals
- 4mm² cable entry (10-30 AWG)
-  & IMQ approved UL pending
- Guided pin alignment
- Captive screws

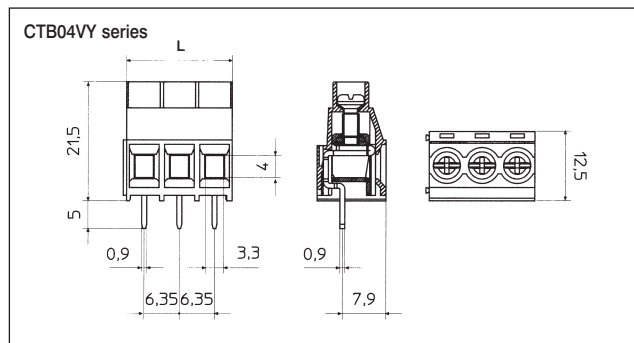
CTB04VY series



Type No.	Poles	Length
CTB04VY/2	2	12.70mm
CTB04VY/3	3	19.05mm
CTB04VY/4	4	25.40mm
CTB04VY/5	5	31.75mm
CTB04VY/6	6	38.10mm
CTB04VY/7	7	44.45mm
CTB04VY/8	8	50.80mm
CTB04VY/9	9	57.15mm
CTB04VY/10	10	63.50mm
CTB04VY/11	11	69.85mm
CTB04VY/12	12	76.20mm


Specification

Rating	32A/450V (UL 30A/300V)
Dielectric strength	≥2.5kV/60sec
Insulation resistance	≥10MΩ
Working temperature	-20°C to 110°C
Moulding	UL94-V0 flame retardant PA68
Pin/terminal	5μ tinned, nickel plated brass
Clamp	Zinc plated steel
Screw/torque	M3 steel, 6μ zinc colour passivated and tropicalised/0.5Nm
Recommended PCB hole size	ø1.1mm



9.52mm Pitch Power Terminal Rising Clamp Terminal

Features

- 2 & 3 pole double interlocking mechanism for increased strength
- Moulded in green UL94-V0 flame retardant PA68
- Professional rising clamp terminals
- 4mm² cable entry (10-30 AWG)
-  & IMQ approved UL pending
- Guided pin alignment
- Captive screws

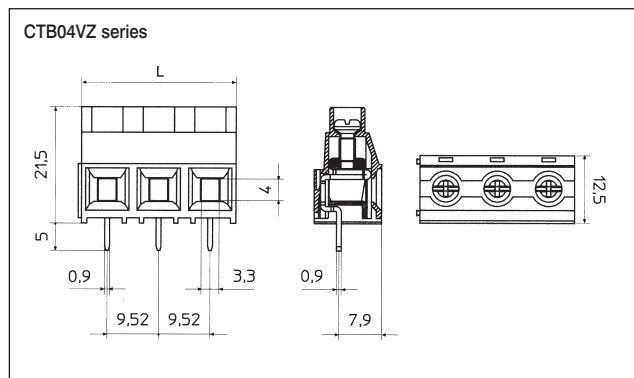
CTB04VZ series



Type No.	Poles	Length
CTB04VZ/2	2	19.04mm
CTB04VZ/3	3	28.56mm
CTB04VZ/4	4	38.08mm
CTB04VZ/5	5	47.60mm
CTB04VZ/6	6	57.12mm
CTB04VZ/7	7	66.64mm
CTB04VZ/8	8	76.16mm
CTB04VZ/9	9	85.68mm
CTB04VZ/10	10	95.20mm
CTB04VZ/11	11	104.72mm
CTB04VZ/12	12	114.24mm

Specification

Rating	32A/750V (UL 30A/300V)
Dielectric strength	≥3kV/60sec
Insulation resistance	≥10MΩ
Working temperature	-20°C to 110°C
Moulding	UL94-V0 flame retardant PA68
Pin/terminal	5μ tinned, nickel plated brass
Clamp	Zinc plated steel
Screw/torque	M3 steel, 6μ zinc colour passivated and tropicalised/0.5Nm
Recommended PCB hole size	ø1.1mm



PCB TERMINAL BLOCKS

INTER-CONNECTION

FUSES & FUSE HOLDERS

BATTERIES

LED's

MINIATURE SWITCHES

INTERFACE MODULES & SUPPORTS

ENCLOSURES

IC & PLCC SOCKETS

RELAY BASES

CONTROL PRODUCTS

X-ON Electronics

Largest Supplier of Electrical and Electronic Components

Click to view similar products for [camden manufacturer](#):

Other Similar products are found below :

[412689X](#) [CTBP92VE/12R](#) [CTBP9350/12](#) [IND515205-240-T/GRN](#) [IND515205-240-T/RD](#) [IND5032405-240-T/GRN](#) [CE10.00.EI](#)
[C192SHAND](#) [CNMB/6ST/2](#) [CNMB/4ST/2](#) [CSACST004](#) [CTBP9200/9](#) [CIME/M/BE2250SS](#) [CHH64E1BL](#) [CIM/15W-DMFS](#) [CHHBAT2GY](#)
[CFTBN/2](#) [CCB2S1/04](#) [CHDX6-221C](#) [CHDX8-224](#) [CHDASMP29](#) [CHDASMP34](#) [CHDX810DD](#) [CHDX811DD](#) [CCTTM40LR](#)
[CTBP92VJ/5S](#) [CTBP92VJ/8R](#) [CTSN431/12/M](#) [CTSN433/12/M](#) [CUABOX006](#) [CE10.00.FM](#) [CBRPH-BLK](#) [BIM2003/13-WH/WH](#)
[RX2008/S-5-WH](#) [CBARD-CAR](#) [CRDCG0007](#) [CNMB/4/KIT](#) [CTB5050/5](#) [CTBP92HE/11](#) [CTBP9358/10AO](#) [CHH66C2GY](#) [CHH456PBK](#)
[CHH451ABK](#) [CIM/9W-DMFS](#) [CIM/25W-DMFS](#) [RTM5006/16-NC-BLK](#) [IND5032405-125-T/AMB](#) [CCB1S1/03](#) [CCD2S1/04](#) [CCE1S1/05](#)