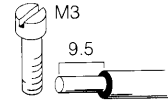
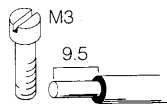
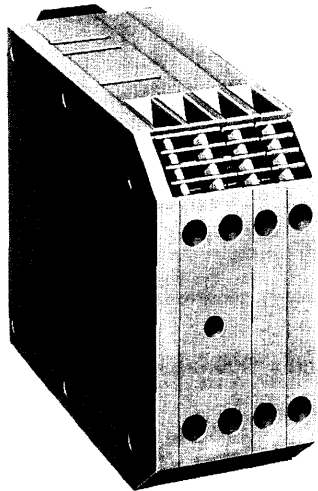
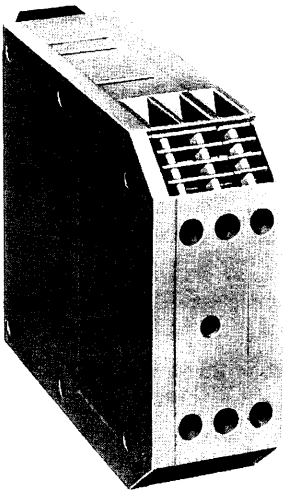


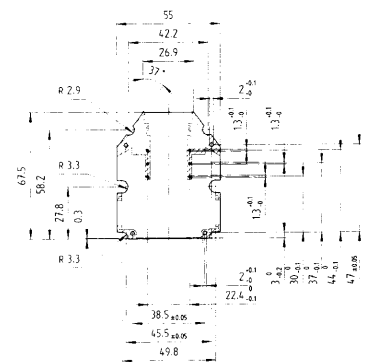
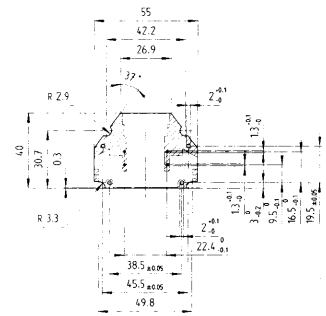
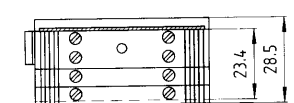
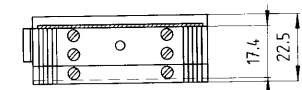
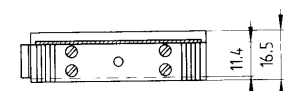
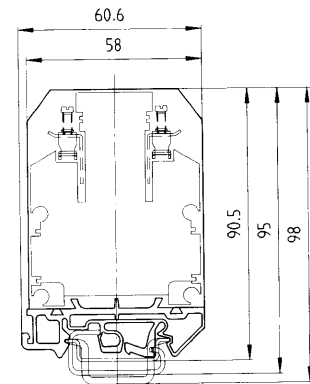
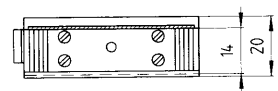
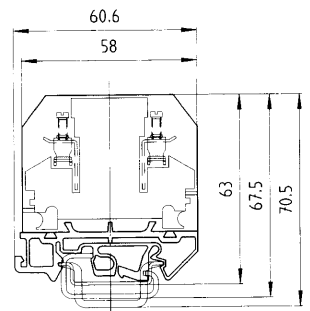
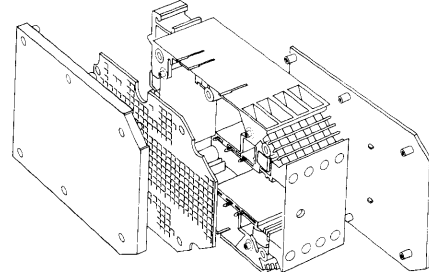
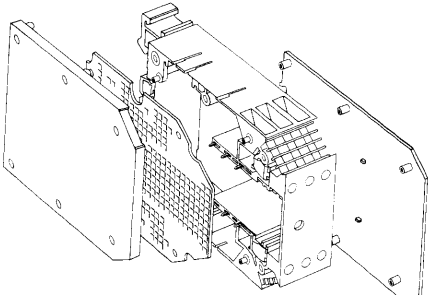
318-7860

WEG empty housings

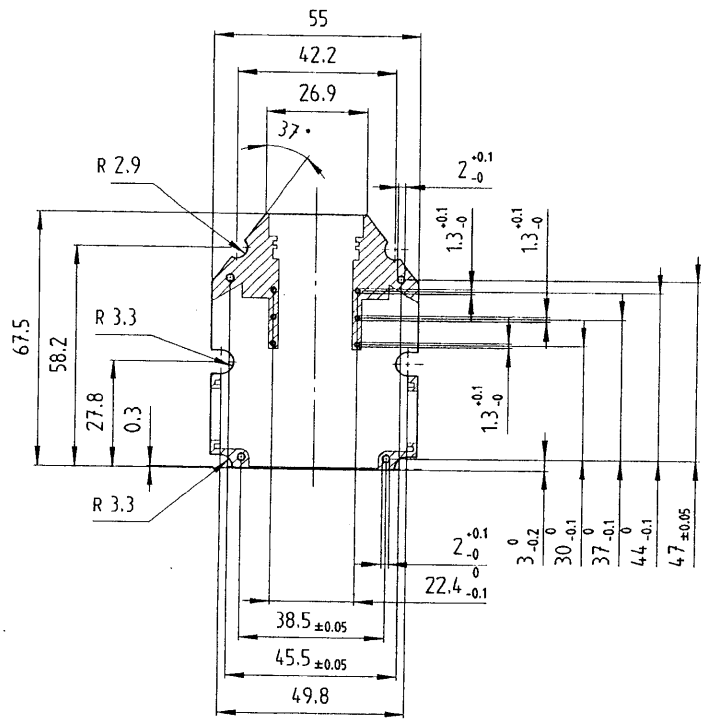
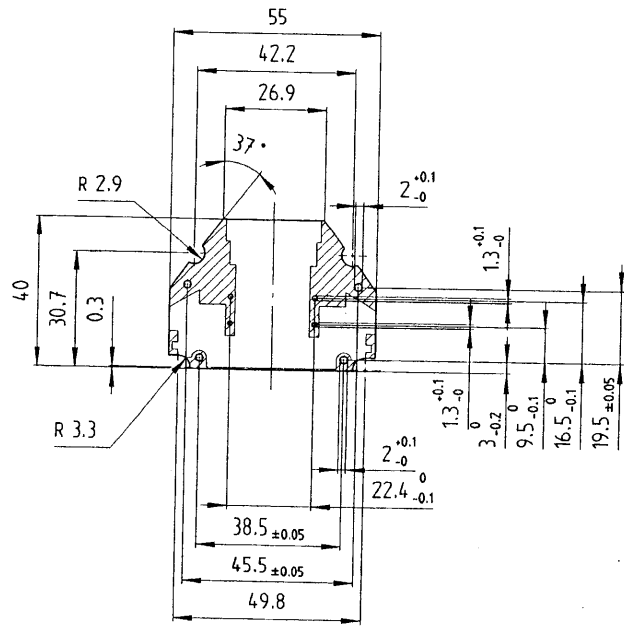
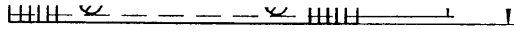
Width 22.5 mm		Width 28.5 mm	
finely stranded	single core	finely stranded	single core
V	A	V	A
0.14 - 4 mm ²	0.14 - 6 mm ²	0.14 - 4 mm ²	0.14 - 6 mm ²
No. 22-10 AWG		No. 22-10 AWG	
No. 20-10 AWG		No. 20-10 AWG	



Type	Part No.	Box Qty	Type	Part No.	Box Qty
	57.801.5153.0	10		57.801.5253.0	10



35 x 27 x 7.5 EN 50022	98.300.0000.0	1	35 x 27 x 7.5 EN 50022	98.300.0000.0	1
35 x 24 x 15 EN 50022	98.360.0000.0	1	35 x 24 x 15 EN 50022	98.360.0000.0	1
9006 EN 50035 G-32	98.190.0000.0	1	9006 EN 50035 G-32	98.190.0000.0	1
	Z8.000.0123.0	10		Z8.000.0123.0	10
9708/2 S 35	Z5.522.8553.0	50	9708/2 S 35	Z5.522.8553.0	50
WE 1/U	Z5.523.5753.0	10	WE 1/U	Z5.523.5753.0	10
9705 A	04.242.0850.0	500	9705 A	04.242.0850.0	500
9705 AB	04.842.0850.0	500	9705 AB	04.842.0850.0	500



X-ON Electronics

Largest Supplier of Electrical and Electronic Components

Click to view similar products for [wieland](#) manufacturer:

Other Similar products are found below :

[57.504.0053.7](#) [57.904.4955.0](#) [57.904.7455.0](#) [57.910.6153](#) [01.001.6553.0](#) [01.112.1453](#) [02.125.1600.0](#) [CWD012-5](#) [CWD012-L](#) [CWD02-A](#)
[CWD02-D](#) [CWD02-H](#) [CWD02-K](#) [CWD02-M](#) [CWD02-Q](#) [CWD02-R](#) [CWD02-U](#) [CWD02-W](#) [CWD02-Y](#) [CWD03+](#) [CWD03-P](#)
[70.105.1653.3](#) [70.331.1628.0](#) [70.340.1028.0](#) [70.343.2428.0](#) [70.353.4835.1](#) [70.355.2435.1](#) [70.364.4828.0](#) [70.372.1035.0](#) [70.372.4835.1](#)
[70.372.4835.3](#) [70.400.3240.0](#) [70.500.4853.0](#) [70.810.1053.0](#) [70.955.2453.3](#) [71.321.1028.0](#) [71.350.1028.0](#) [72.250.1628.2](#) [72.250.2428.2](#)
[72.250.2435.2](#) [72.301.1653.9](#) [72.325.1628.0](#) [72.353.1635.0](#) [73.352.6428](#) [73.353.4028.1](#) [73.363.6428.0](#) [77.340.1635.0](#) [78.111.0453.0](#)
[78.903.0153.0](#) [78.914.0253.0](#)