


# PCB TERMINAL BLOCKS

## 5.08mm Pitch Screwless Pluggable Terminal

- 2-24 pole solid block (female)
- 2-16 pole solid block (male)
- Pluggable female and male connectors
- Also compatible with conventional 5.08mm pluggable terminal blocks
- Screwless - wire retained by cage spring
- Optional mounting clip, CSTB9C can be removed after fitting
- Polarised mouldings
- Moulded in green UL94-V0 flame retardant PA
- 0.2-2.5mm<sup>2</sup> (24-14AWG) solid & stranded cable
-  pending
- GWT compliant version also

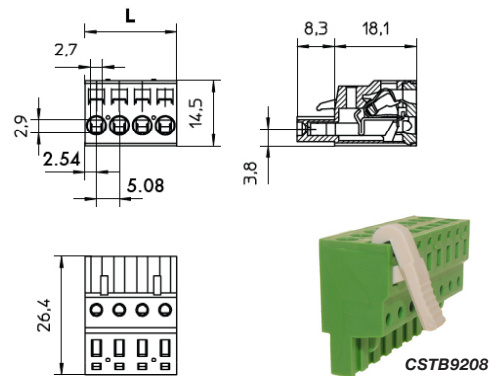
### SPECIFICATION

Rating	18A/320V
	UL=14A/300V, IMQ=18A/320V
Dielectric strength	≥2.5kV
Impulse withstand voltage	4kV
Working temperature	110°C
Moulding	UL94-V0 flame retardant PA
Clamp/spring	Nickel copper flash brass

### Female connector

TYPE NO.	POLES	LENGTH
CSTB9208/2	2	10.2mm
CSTB9208/3	3	15.2mm
CSTB9208/4	4	20.3mm
CSTB9208/5	5	25.4mm
CSTB9208/6	6	30.5mm
CSTB9208/7	7	35.6mm
CSTB9208/8	8	40.6mm
CSTB9208/9	9	45.7mm
CSTB9208/10	10	50.8mm
CSTB9208/11	11	55.9mm
CSTB9208/12	12	61mm
CSTB9208/13	13	66mm

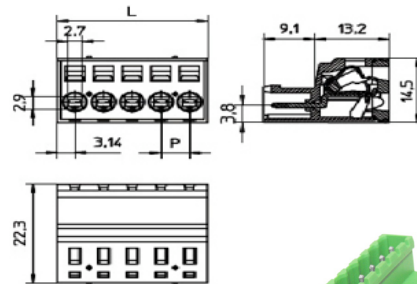
TYPE NO.	POLES	LENGTH
CSTB9208/14	14	71.1mm
CSTB9208/15	15	76.2mm
CSTB9208/16	16	81.3mm
CSTB9208/17	17	86.4mm
CSTB9208/18	18	91.4mm
CSTB9208/19	19	96.5mm
CSTB9208/20	20	101.6mm
CSTB9208/21	21	106.7mm
CSTB9208/22	22	111.8mm
CSTB9208/23	23	116.8mm
CSTB9208/24	24	121.9mm



### Male connector

TYPE NO.	POLES	LENGTH
CSTB9308/2	2	11.36mm
CSTB9308/3	3	16.44mm
CSTB9308/4	4	21.52mm
CSTB9308/5	5	26.6mm
CSTB9308/6	6	31.68mm
CSTB9308/7	7	36.76mm
CSTB9308/8	8	41.84mm
CSTB9308/9	9	46.92mm
CSTB9308/10	10	52mm
CSTB9308/11	11	57.08mm
CSTB9308/12	12	62.16mm
CSTB9308/13	13	67.24mm

TYPE NO.	POLES	LENGTH
CSTB9308/14	14	72.32mm
CSTB9308/15	15	77.4mm
CSTB9308/16	16	82.48mm



### Mounting Clip

TYPE NO.  
CSTB9C



CSTB9308

PCB  
TERMINAL  
BLOCKS

INTER-  
CONNECTION

FUSES &  
FUSE-  
HOLDERS

LEDs &  
INDICATORS

MINIATURE  
SWITCHES

LIMIT &  
SAFETY  
SWITCHES

CONTROL  
PRODUCTS

INTERFACE  
MODULES &  
SUPPORTS

RELAY  
BASES

ENCLOSURES

BATTERIES

TRANS-  
FORMERS

## X-ON Electronics

Largest Supplier of Electrical and Electronic Components

*Click to view similar products for [camden manufacturer](#):*

Other Similar products are found below :

[412689X](#) [CTBP92VE/12R](#) [CTBP9350/12](#) [IND515205-240-T/GRN](#) [IND515205-240-T/RD](#) [IND5032405-240-T/GRN](#) [CE10.00.EI](#)  
[C192SHAND](#) [CNMB/6ST/2](#) [CNMB/4ST/2](#) [CSACST004](#) [CTBP9200/9](#) [CIME/M/BE2250SS](#) [CHH64E1BL](#) [CIM/15W-DMFS](#) [CHHBAT2GY](#)  
[CFTBN/2](#) [CCB2S1/04](#) [CHDX6-221C](#) [CHDX8-224](#) [CHDASMP29](#) [CHDASMP34](#) [CHDX810DD](#) [CHDX811DD](#) [CCTTM40LR](#)  
[CTBP92VJ/5S](#) [CTBP92VJ/8R](#) [CTSN431/12/M](#) [CTSN433/12/M](#) [CUABOX006](#) [CE10.00.FM](#) [CBRPH-BLK](#) [BIM2003/13-WH/WH](#)  
[RX2008/S-5-WH](#) [CBARD-CAR](#) [CRDCG0007](#) [CNMB/4/KIT](#) [CTB5050/5](#) [CTBP92HE/11](#) [CTBP9358/10AO](#) [CHH66C2GY](#) [CHH456PBK](#)  
[CHH451ABK](#) [CIM/9W-DMFS](#) [CIM/25W-DMFS](#) [RTM5006/16-NC-BLK](#) [IND5032405-125-T/AMB](#) [CCB1S1/03](#) [CCD2S1/04](#) [CCE1S1/05](#)