


PCB TERMINAL BLOCKS

5mm Pitch Pluggable Rising Clamp Terminal

- 2-24 pole solid block
- Pluggable male-female connectors
- Open & closed headers
- Horizontal & vertical female plug styles
- Polarised mouldings
- Moulded in green UL94-V0 flame retardant PA

- Professional rising clamp terminals
- 0.2-2.5mm² (30-12AWG) solid & stranded cable
- Anti solder wicking
- Captive screws
- Guided pin alignment
-  approved

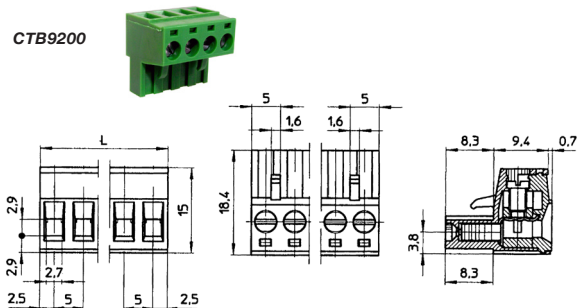
SPECIFICATION

| | |
|---------------------------|---|
| Rating | 12A/320V UL=12A/300V, VDE&IMQ=20A/320V |
| Dielectric strength | ≥2.5kV |
| Impulse withstand voltage | 4kV |
| Working temperature | 100°C |
| Moulding | UL94-V0 flame retardant PA |
| Pin/terminal | Tinned phosphor bronze |
| Rising clamp | Nickel copper flash brass |
| Screw/torque | M3 steel zinc plated, 0.5Nm |
| Recommended PCB hole size | ø1.4mm |

Female connector

| TYPE NO. | POLES | LENGTH |
|-------------|-------|--------|
| CTB9200/2A | 2 | 10mm |
| CTB9200/3A | 3 | 15mm |
| CTB9200/4A | 4 | 20mm |
| CTB9200/5A | 5 | 25mm |
| CTB9200/6A | 6 | 30mm |
| CTB9200/7A | 7 | 35mm |
| CTB9200/8A | 8 | 40mm |
| CTB9200/9A | 9 | 45mm |
| CTB9200/10A | 10 | 50mm |
| CTB9200/11A | 11 | 55mm |
| CTB9200/12A | 12 | 60mm |
| CTB9200/13A | 13 | 65mm |

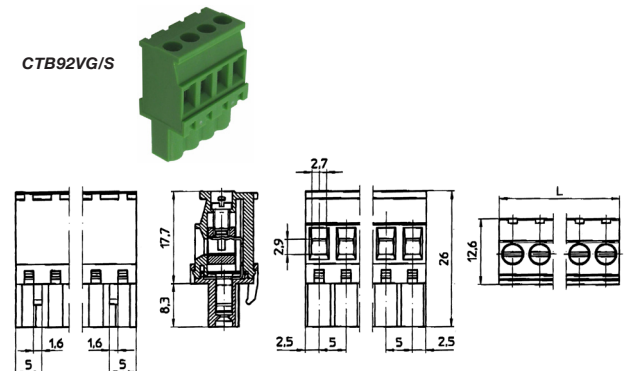
| TYPE NO. | POLES | LENGTH |
|-------------|-------|--------|
| CTB9200/14A | 14 | 70mm |
| CTB9200/15A | 15 | 75mm |
| CTB9200/16A | 16 | 80mm |
| CTB9200/17A | 17 | 85mm |
| CTB9200/18A | 18 | 90mm |
| CTB9200/19A | 19 | 95mm |
| CTB9200/20A | 20 | 100mm |
| CTB9200/21A | 21 | 105mm |
| CTB9200/22A | 22 | 110mm |
| CTB9200/23A | 23 | 115mm |
| CTB9200/24A | 24 | 120mm |



Female connector vertical (standard)

| TYPE NO. | POLES | LENGTH |
|-------------|-------|--------|
| CTB92VG/2S | 2 | 10mm |
| CTB92VG/3S | 3 | 15mm |
| CTB92VG/4S | 4 | 20mm |
| CTB92VG/5S | 5 | 25mm |
| CTB92VG/6S | 6 | 30mm |
| CTB92VG/7S | 7 | 35mm |
| CTB92VG/8S | 8 | 40mm |
| CTB92VG/9S | 9 | 45mm |
| CTB92VG/10S | 10 | 50mm |
| CTB92VG/11S | 11 | 55mm |
| CTB92VG/12S | 12 | 60mm |
| CTB92VG/13S | 13 | 65mm |

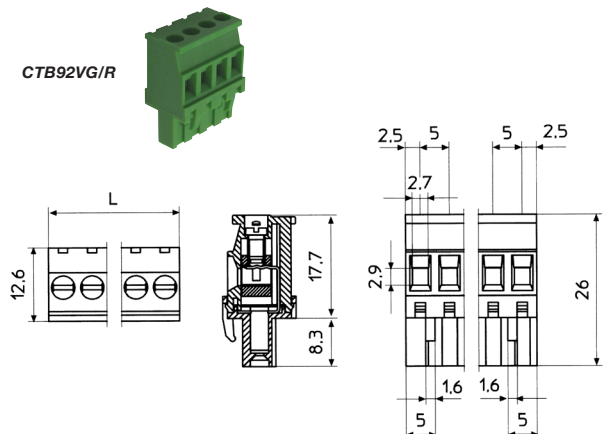
| TYPE NO. | POLES | LENGTH |
|-------------|-------|--------|
| CTB92VG/14S | 14 | 70mm |
| CTB92VG/15S | 15 | 75mm |
| CTB92VG/16S | 16 | 80mm |
| CTB92VG/17S | 17 | 85mm |
| CTB92VG/18S | 18 | 90mm |
| CTB92VG/19S | 19 | 95mm |
| CTB92VG/20S | 20 | 100mm |
| CTB92VG/21S | 21 | 105mm |
| CTB92VG/22S | 22 | 110mm |
| CTB92VG/23S | 23 | 115mm |
| CTB92VG/24S | 24 | 120mm |



Female connector vertical (reversed)

| TYPE NO. | POLES | LENGTH |
|-------------|-------|--------|
| CTB92VG/2R | 2 | 10mm |
| CTB92VG/3R | 3 | 15mm |
| CTB92VG/4R | 4 | 20mm |
| CTB92VG/5R | 5 | 25mm |
| CTB92VG/6R | 6 | 30mm |
| CTB92VG/7R | 7 | 35mm |
| CTB92VG/8R | 8 | 40mm |
| CTB92VG/9R | 9 | 45mm |
| CTB92VG/10R | 10 | 50mm |
| CTB92VG/11R | 11 | 55mm |
| CTB92VG/12R | 12 | 60mm |
| CTB92VG/13R | 13 | 65mm |

| TYPE NO. | POLES | LENGTH |
|-------------|-------|--------|
| CTB92VG/14R | 14 | 70mm |
| CTB92VG/15R | 15 | 75mm |
| CTB92VG/16R | 16 | 80mm |
| CTB92VG/17R | 17 | 85mm |
| CTB92VG/18R | 18 | 90mm |
| CTB92VG/19R | 19 | 95mm |
| CTB92VG/20R | 20 | 100mm |
| CTB92VG/21R | 21 | 105mm |
| CTB92VG/22R | 22 | 110mm |
| CTB92VG/23R | 23 | 115mm |
| CTB92VG/24R | 24 | 120mm |

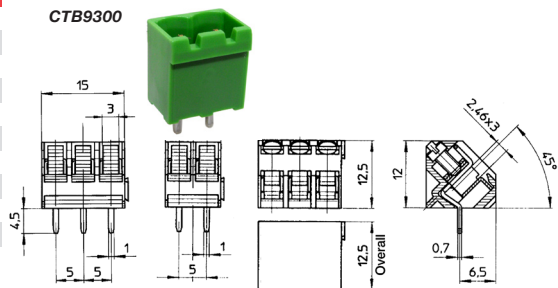


PCB TERMINAL BLOCKS

PCB mounting male vertical (closed ended)

| TYPE NO. | POLES | LENGTH |
|-------------|-------|--------|
| CTB9300/2A | 2 | 11.2mm |
| CTB9300/3A | 3 | 16.2mm |
| CTB9300/4A | 4 | 21.2mm |
| CTB9300/5A | 5 | 26.2mm |
| CTB9300/6A | 6 | 31.2mm |
| CTB9300/7A | 7 | 36.2mm |
| CTB9300/8A | 8 | 41.2mm |
| CTB9300/9A | 9 | 46.2mm |
| CTB9300/10A | 10 | 51.2mm |
| CTB9300/11A | 11 | 56.2 |
| CTB9300/12A | 12 | 61.2mm |
| CTB9300/13A | 13 | 66.2mm |

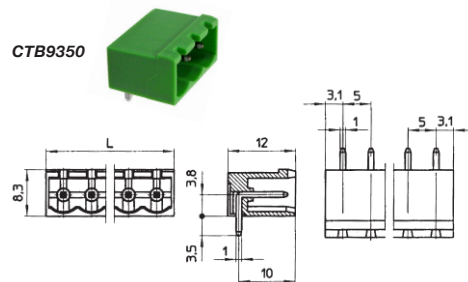
| TYPE NO. | POLES | LENGTH |
|-------------|-------|---------|
| CTB9300/14A | 14 | 71.2mm |
| CTB9300/15A | 15 | 76.2mm |
| CTB9300/16A | 16 | 81.2mm |
| CTB9300/17A | 17 | 86.2mm |
| CTB9300/18A | 18 | 91.2mm |
| CTB9300/19A | 19 | 96.2mm |
| CTB9300/20A | 20 | 101.2mm |
| CTB9300/21A | 21 | 106.2mm |
| CTB9300/22A | 22 | 111.2mm |
| CTB9300/23A | 23 | 116.2mm |
| CTB9300/24A | 24 | 121.2mm |



PCB mounting male horizontal (closed ended)

| TYPE NO. | POLES | LENGTH |
|-------------|-------|--------|
| CTB9350/2A | 2 | 11.2mm |
| CTB9350/3A | 3 | 16.2mm |
| CTB9350/4A | 4 | 21.2mm |
| CTB9350/5A | 5 | 26.2mm |
| CTB9350/6A | 6 | 31.2mm |
| CTB9350/7A | 7 | 36.2mm |
| CTB9350/8A | 8 | 41.2mm |
| CTB9350/9A | 9 | 46.2mm |
| CTB9350/10A | 10 | 51.2mm |
| CTB9350/11A | 11 | 56.2 |
| CTB9350/12A | 12 | 61.2mm |
| CTB9350/13A | 13 | 66.2mm |

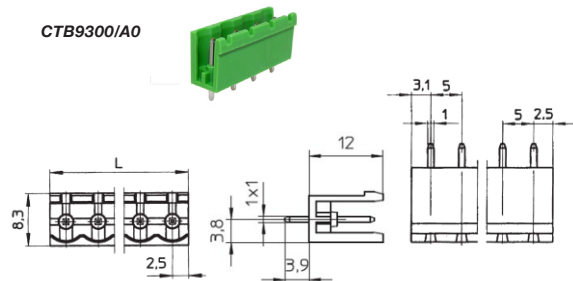
| TYPE NO. | POLES | LENGTH |
|-------------|-------|---------|
| CTB9350/14A | 14 | 71.2mm |
| CTB9350/15A | 15 | 76.2mm |
| CTB9350/16A | 16 | 81.2mm |
| CTB9350/17A | 17 | 86.2mm |
| CTB9350/18A | 18 | 91.2mm |
| CTB9350/19A | 19 | 96.2mm |
| CTB9350/20A | 20 | 101.2mm |
| CTB9350/21A | 21 | 106.2mm |
| CTB9350/22A | 22 | 111.2mm |
| CTB9350/23A | 23 | 116.2mm |
| CTB9350/24A | 24 | 121.2mm |



PCB mounting male vertical (open ended)

| TYPE NO. | POLES | LENGTH |
|--------------|-------|--------|
| CTB9300/2AO | 2 | 10mm |
| CTB9300/3AO | 3 | 15mm |
| CTB9300/4AO | 4 | 20mm |
| CTB9300/5AO | 5 | 25mm |
| CTB9300/6AO | 6 | 30mm |
| CTB9300/7AO | 7 | 35mm |
| CTB9300/8AO | 8 | 40mm |
| CTB9300/9AO | 9 | 45mm |
| CTB9300/10AO | 10 | 50mm |
| CTB9300/11AO | 11 | 55mm |
| CTB9300/12AO | 12 | 60mm |
| CTB9300/13AO | 13 | 65mm |

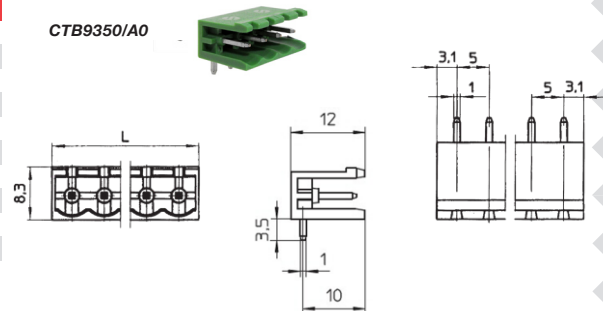
| TYPE NO. | POLES | LENGTH |
|--------------|-------|--------|
| CTB9300/14AO | 14 | 70mm |
| CTB9300/15AO | 15 | 75mm |
| CTB9300/16AO | 16 | 80mm |
| CTB9300/17AO | 17 | 85mm |
| CTB9300/18AO | 18 | 90mm |
| CTB9300/19AO | 19 | 95mm |
| CTB9300/20AO | 20 | 100mm |
| CTB9300/21AO | 21 | 105mm |
| CTB9300/22AO | 22 | 110mm |
| CTB9300/23AO | 23 | 115mm |
| CTB9300/24AO | 24 | 120mm |



PCB mounting male horizontal (open ended)

| TYPE NO. | POLES | LENGTH |
|--------------|-------|--------|
| CTB9350/2AO | 2 | 10mm |
| CTB9350/3AO | 3 | 15mm |
| CTB9350/4AO | 4 | 20mm |
| CTB9350/5AO | 5 | 25mm |
| CTB9350/6AO | 6 | 30mm |
| CTB9350/7AO | 7 | 35mm |
| CTB9350/8AO | 8 | 40mm |
| CTB9350/9AO | 9 | 45mm |
| CTB9350/10AO | 10 | 50mm |
| CTB9350/11AO | 11 | 55mm |
| CTB9350/12AO | 12 | 60mm |
| CTB9350/13AO | 13 | 65mm |

| TYPE NO. | POLES | LENGTH |
|--------------|-------|--------|
| CTB9350/14AO | 14 | 70mm |
| CTB9350/15AO | 15 | 75mm |
| CTB9350/16AO | 16 | 80mm |
| CTB9350/17AO | 17 | 85mm |
| CTB9350/18AO | 18 | 90mm |
| CTB9350/19AO | 19 | 95mm |
| CTB9350/20AO | 20 | 100mm |
| CTB9350/21AO | 21 | 105mm |
| CTB9350/22AO | 22 | 110mm |
| CTB9350/23AO | 23 | 115mm |
| CTB9350/24AO | 24 | 120mm |



PCB
TERMINAL
BLOCKS

INTER-
CONNECTION

FUSES &
FUSE-
HOLDERS

LEDs &
INDICATORS

MINIATURE
SWITCHES

LIMIT &
SAFETY
SWITCHES

CONTROL
PRODUCTS

INTERFACE
MODULES &
SUPPORTS

RELAY
BASES

ENCLOSURES

BATTERIES

TRANS-
FORMERS

X-ON Electronics

Largest Supplier of Electrical and Electronic Components

Click to view similar products for [FFC & FPC Connectors](#) category:

Click to view products by [Camden](#) manufacturer:

Other Similar products are found below :

[HFW11R-1STE1H1LF](#) [FH29B-100S-0.2SHW\(99\)](#) [FA5S008HP1](#) [FH29B-120S-0.2SHW\(99\)](#) [FH29B-80S-0.2SHW\(99\)](#) [FHS-16](#) [FPH-2022G](#)
[52610-1075](#) [52610-1275](#) [52610-1934](#) [XF3M\(1\)-1415-1B-R100](#) [501864-3091-TR225](#) [0525594033](#) [086210010340800](#) [086222026001800](#)
[52271-2869-CUT-TAPE](#) [62674-201121DLF](#) [62684-36210E9ALF](#) [52610-1675](#) [52746-1671-TR250](#) [10051922-2810EHLF](#) [6-520415-9](#)
[BD021-09A-A1-0350-0200-0550-LD](#) [SFV6R-1STE9HLF](#) [XF3M-2915-1B-R100](#) [1658549-1](#) [62674-221121ALF](#) [46214008010800](#)
[046298003000883](#) [151660622](#) [842-816-2630-035](#) [AYF530665TA](#) [AYF351525](#) [046296011930846+](#) [AYF352325A](#) [046254020000800+](#)
[FH19C-13S-0.5SH\(99\)](#) [FH39J-51S-0.3SHW\(99\)](#) [AYF355125A](#) [AYF530365TA](#) [FH29B-44S-0.2SHW\(99\)](#) [SFW5R-2STAE9LF](#) [AYF351125A](#)
[AYF350725A](#) [62684-502100AHLF](#) [FH39-61S-0.3SHW\(99\)](#) [AYF414035A](#) [10064555-172520HLF](#) [AYF212335A](#) [504754-2500](#)