

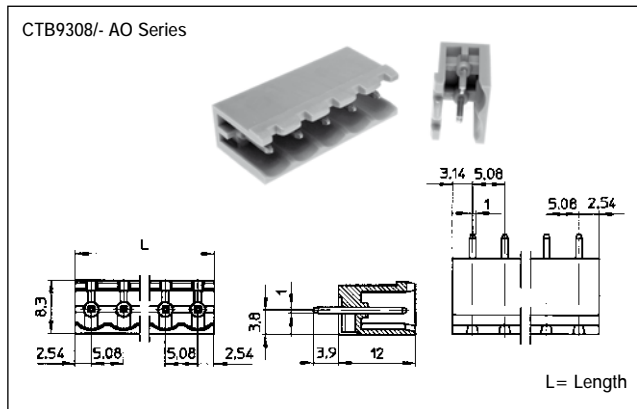
## 5.08mm Pitch Plug-in Rising Clamp Terminal

### Specification

Rating	12A/320V, UL=12A, CUL=12A, IMO=12A
Dielectric strength	≥2.5kV
Impulse withstand voltage	4kV
Working temperature	110°C
Moulding	UL94-V0 flame retardant PA
Pin/terminal	Tinned brass

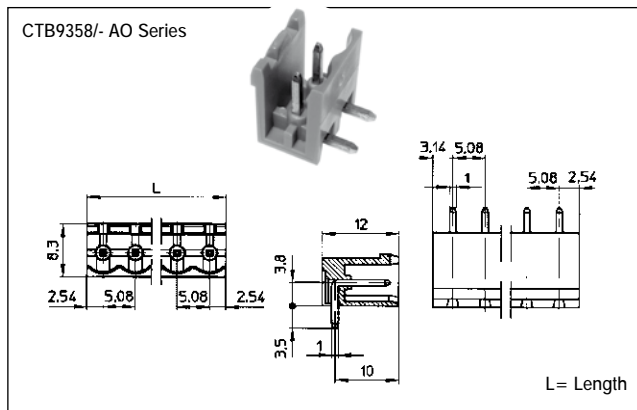
Rising clamp	Nickel copper flash brass
Screw/torque	M3 steel, zinc, colour plated/0.5Nm
Recommended PCB hole size	ø1.4mm

## PCB mounting male vertical (open ended)



Type No.	Poles	Length	Type No.	Poles	Length
CTB9308/2AO	2	10.16mm	CTB9308/14AO	14	71.12mm
CTB9308/3AO	3	15.24mm	CTB9308/15AO	15	76.2mm
CTB9308/4AO	4	20.32mm	CTB9308/16AO	16	81.28mm
CTB9308/5AO	5	25.4mm	CTB9308/17AO	17	86.36mm
CTB9308/6AO	6	30.48mm	CTB9308/18AO	18	91.44mm
CTB9308/7AO	7	35.56mm	CTB9308/19AO	19	96.52mm
CTB9308/8AO	8	40.64mm	CTB9308/20AO	20	101.6mm
CTB9308/9AO	9	45.72mm	CTB9308/21AO	21	106.68mm
CTB9308/10AO	10	50.8mm	CTB9308/22AO	22	111.76mm
CTB9308/11AO	11	55.88mm	CTB9308/23AO	23	116.84mm
CTB9308/12AO	12	60.96mm	CTB9308/24AO	24	121.92mm
CTB9308/13AO	13	66.04mm			

## PCB mounting male horizontal (open ended)



Type No.	Poles	Length	Type No.	Poles	Length
CTB9358/2AO	2	10.16mm	CTB9358/14AO	14	71.12mm
CTB9358/3AO	3	15.24mm	CTB9358/15AO	15	76.2mm
CTB9358/4AO	4	20.32mm	CTB9358/16AO	16	81.28mm
CTB9358/5AO	5	25.4mm	CTB9358/17AO	17	86.36mm
CTB9358/6AO	6	30.48mm	CTB9358/18AO	18	91.44mm
CTB9358/7AO	7	35.56mm	CTB9358/19AO	19	96.52mm
CTB9358/8AO	8	40.64mm	CTB9358/20AO	20	101.6mm
CTB9358/9AO	9	45.72mm	CTB9358/21AO	21	106.68mm
CTB9358/10AO	10	50.8mm	CTB9358/22AO	22	111.76mm
CTB9358/11AO	11	55.88mm	CTB9358/23AO	23	116.84mm
CTB9358/12AO	12	60.96mm	CTB9358/24AO	24	121.92mm
CTB9358/13AO	13	66.04mm			

## X-ON Electronics

Largest Supplier of Electrical and Electronic Components

*Click to view similar products for [camden manufacturer](#):*

Other Similar products are found below :

[412689X](#) [CTBP92VE/12R](#) [CTBP9350/12](#) [IND515205-240-T/GRN](#) [IND515205-240-T/RD](#) [IND5032405-240-T/GRN](#) [CE10.00.EI](#)  
[C192SHAND](#) [CNMB/6ST/2](#) [CNMB/4ST/2](#) [CSACST004](#) [CTBP9200/9](#) [CIME/M/BE2250SS](#) [CHH64E1BL](#) [CIM/15W-DMFS](#) [CHHBAT2GY](#)  
[CFTBN/2](#) [CCB2S1/04](#) [CHDX6-221C](#) [CHDX8-224](#) [CHDASMP29](#) [CHDASMP34](#) [CHDX810DD](#) [CHDX811DD](#) [CCTTM40LR](#)  
[CTBP92VJ/5S](#) [CTBP92VJ/8R](#) [CTSN431/12/M](#) [CTSN433/12/M](#) [CUABOX006](#) [CE10.00.FM](#) [CBRPH-BLK](#) [BIM2003/13-WH/WH](#)  
[RX2008/S-5-WH](#) [CBARD-CAR](#) [CRDCG0007](#) [CNMB/4/KIT](#) [CTB5050/5](#) [CTBP92HE/11](#) [CTBP9358/10AO](#) [CHH66C2GY](#) [CHH456PBK](#)  
[CHH451ABK](#) [CIM/9W-DMFS](#) [CIM/25W-DMFS](#) [RTM5006/16-NC-BLK](#) [IND5032405-125-T/AMB](#) [CCB1S1/03](#) [CCD2S1/04](#) [CCE1S1/05](#)