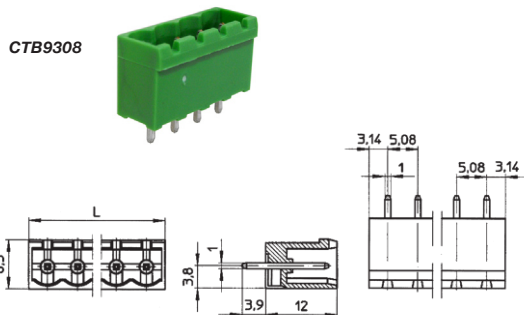




# PCB TERMINAL BLOCKS

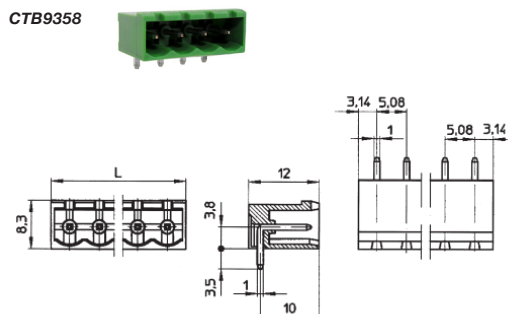
## PCB mounting male vertical (closed end)

TYPE NO.	POLES	LENGTH	TYPE NO.	POLES	LENGTH
CTB9308/2	2	11.4mm	CTB9308/14	14	72.3mm
CTB9308/3	3	16.4mm	CTB9308/15	15	77.4mm
CTB9308/4	4	21.5mm	CTB9308/16	16	82.5mm
CTB9308/5	5	26.6mm	CTB9308/17	17	87.6mm
CTB9308/6	6	31.7mm	CTB9308/18	18	92.6mm
CTB9308/7	7	36.78mm	CTB9308/19	19	97.7mm
CTB9308/8	8	41.8mm	CTB9308/20	20	102.8mm
CTB9308/9	9	46.9mm	CTB9308/21	21	107.9mm
CTB9308/10	10	52mm	CTB9308/22	22	113mm
CTB9308/11	11	57.1mm	CTB9308/23	23	118mm
CTB9308/12	12	67.2mm	CTB9308/24	24	123.1mm
CTB9308/13	13	67.2mm			



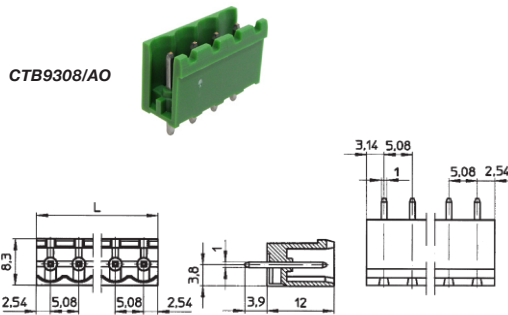
## PCB mounting male horizontal (closed end)

TYPE NO.	POLES	LENGTH	TYPE NO.	POLES	LENGTH
CTB9358/2	2	11.4mm	CTB9358/14	14	72.3mm
CTB9358/3	3	16.4mm	CTB9358/15	15	77.4mm
CTB9358/4	4	21.5mm	CTB9358/16	16	82.5mm
CTB9358/5	5	26.6mm	CTB9358/17	17	87.6mm
CTB9358/6	6	31.7mm	CTB9358/18	18	92.6mm
CTB9358/7	7	36.78mm	CTB9358/19	19	97.7mm
CTB9358/8	8	41.8mm	CTB9358/20	20	102.8mm
CTB9358/9	9	46.9mm	CTB9358/21	21	107.9mm
CTB9358/10	10	52mm	CTB9358/22	22	113mm
CTB9358/11	11	57.1mm	CTB9358/23	23	118mm
CTB9358/12	12	67.2mm	CTB9358/24	24	123.1mm
CTB9358/13	13	67.2mm			



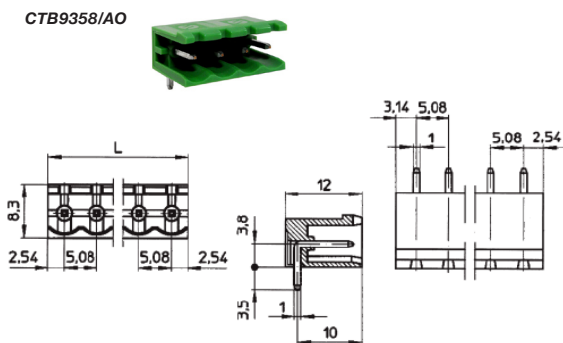
## PCB mounting male vertical (open ended)

TYPE NO.	POLES	LENGTH	TYPE NO.	POLES	LENGTH
CTB9308/2AO	2	10.2mm	CTB9308/14AO	14	71.1mm
CTB9308/3AO	3	15.2mm	CTB9308/15AO	15	76.2mm
CTB9308/4AO	4	20.3mm	CTB9308/16AO	16	81.3mm
CTB9308/5AO	5	25.4mm	CTB9308/17AO	17	86.4mm
CTB9308/6AO	6	30.5mm	CTB9308/18AO	18	91.4mm
CTB9308/7AO	7	35.6mm	CTB9308/19AO	19	96.5mm
CTB9308/8AO	8	40.6mm	CTB9308/20AO	20	101.6mm
CTB9308/9AO	9	45.7mm	CTB9308/21AO	21	106.7mm
CTB9308/10AO	10	50.8mm	CTB9308/22AO	22	111.7mm
CTB9308/11AO	11	55.9mm	CTB9308/23AO	23	116.8mm
CTB9308/12AO	12	61mm	CTB9308/24AO	24	121.9mm
CTB9308/13AO	13	66mm			



## PCB mounting male horizontal (open ended)

TYPE NO.	POLES	LENGTH	TYPE NO.	POLES	LENGTH
CTB9358/2AO	2	10.2mm	CTB9358/14AO	14	71.1mm
CTB9358/3AO	3	15.2mm	CTB9358/15AO	15	76.2mm
CTB9358/4AO	4	20.3mm	CTB9358/16AO	16	81.3mm
CTB9358/5AO	5	25.4mm	CTB9358/17AO	17	86.4mm
CTB9358/6AO	6	30.5mm	CTB9358/18AO	18	91.4mm
CTB9358/7AO	7	35.6mm	CTB9358/19AO	19	96.5mm
CTB9358/8AO	8	40.6mm	CTB9358/20AO	20	101.6mm
CTB9358/9AO	9	45.7mm	CTB9358/21AO	21	106.7mm
CTB9358/10AO	10	50.8mm	CTB9358/22AO	22	111.7mm
CTB9358/11AO	11	55.9mm	CTB9358/23AO	23	116.8mm
CTB9358/12AO	12	61mm	CTB9358/24AO	24	121.9mm
CTB9358/13AO	13	66mm			



PCB  
TERMINAL  
BLOCKS

INTER-  
CONNECTION

FUSES &  
FUSE-  
HOLDERS

LEDs &  
INDICATORS

MINIATURE  
SWITCHES

LIMIT &  
SAFETY  
SWITCHES

CONTROL  
PRODUCTS

INTERFACE  
MODULES &  
SUPPORTS

RELAY  
BASES

ENCLOSURES

BATTERIES

TRANS-  
FORMERS

## X-ON Electronics

Largest Supplier of Electrical and Electronic Components

*Click to view similar products for [camden manufacturer](#):*

Other Similar products are found below :

[412689X](#) [CTBP92VE/12R](#) [CTBP9350/12](#) [IND515205-240-T/GRN](#) [IND515205-240-T/RD](#) [IND5032405-240-T/GRN](#) [CE10.00.EI](#)  
[C192SHAND](#) [CNMB/6ST/2](#) [CNMB/4ST/2](#) [CSACST004](#) [CTBP9200/9](#) [CIME/M/BE2250SS](#) [CHH64E1BL](#) [CIM/15W-DMFS](#) [CHHBAT2GY](#)  
[CFTBN/2](#) [CCB2S1/04](#) [CHDX6-221C](#) [CHDX8-224](#) [CHDASMP29](#) [CHDASMP34](#) [CHDX810DD](#) [CHDX811DD](#) [CCTTM40LR](#)  
[CTBP92VJ/5S](#) [CTBP92VJ/8R](#) [CTSN431/12/M](#) [CTSN433/12/M](#) [CUABOX006](#) [CE10.00.FM](#) [CBRPH-BLK](#) [BIM2003/13-WH/WH](#)  
[RX2008/S-5-WH](#) [CBARD-CAR](#) [CRDCG0007](#) [CNMB/4/KIT](#) [CTB5050/5](#) [CTBP92HE/11](#) [CTBP9358/10AO](#) [CHH66C2GY](#) [CHH456PBK](#)  
[CHH451ABK](#) [CIM/9W-DMFS](#) [CIM/25W-DMFS](#) [RTM5006/16-NC-BLK](#) [IND5032405-125-T/AMB](#) [CCB1S1/03](#) [CCD2S1/04](#) [CCE1S1/05](#)