

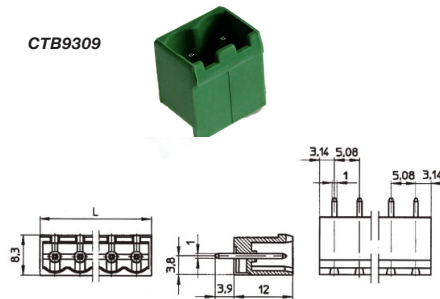
CAMBLOCK

PCB mounting male vertical (closed end)

TYPE NO.	POLES	LENGTH
CTB9309/2	2	11.4mm
CTB9309/3	3	16.4mm
CTB9309/4	4	21.5mm
CTB9309/5	5	26.6mm
CTB9309/6	6	31.7mm
CTB9309/7	7	36.78mm
CTB9309/8	8	41.8mm
CTB9309/9	9	46.9mm
CTB9309/10	10	52mm
CTB9309/11	11	57.1mm
CTB9309/12	12	67.2mm
CTB9309/13	13	67.2mm

TYPE NO.	POLES	LENGTH
CTB9309/14	14	72.3mm
CTB9309/15	15	77.4mm
CTB9309/16	16	82.5mm
CTB9309/17	17	87.6mm
CTB9309/18	18	92.6mm
CTB9309/19	19	97.7mm
CTB9309/20	20	102.8mm
CTB9309/21	21	107.9mm
CTB9309/22	22	113mm
CTB9309/23	23	118mm
CTB9309/24	24	123.1mm

CTB9309



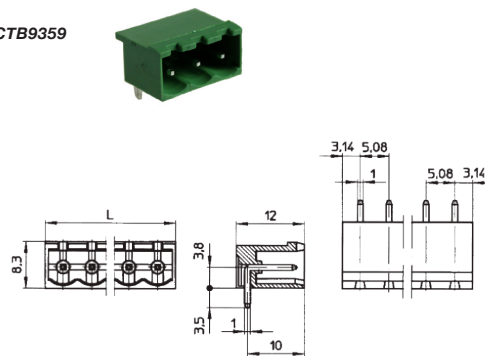
PCB
TERMINAL
BLOCKS

PCB mounting male horizontal (closed end)

TYPE NO.	POLES	LENGTH
CTB9359/2	2	11.4mm
CTB9359/3	3	16.4mm
CTB9359/4	4	21.5mm
CTB9359/5	5	26.6mm
CTB9359/6	6	31.7mm
CTB9359/7	7	36.78mm
CTB9359/8	8	41.8mm
CTB9359/9	9	46.9mm
CTB9359/10	10	52mm
CTB9359/11	11	57.1mm
CTB9359/12	12	67.2mm
CTB9359/13	13	67.2mm

TYPE NO.	POLES	LENGTH
CTB9359/14	14	72.3mm
CTB9359/15	15	77.4mm
CTB9359/16	16	82.5mm
CTB9359/17	17	87.6mm
CTB9359/18	18	92.6mm
CTB9359/19	19	97.7mm
CTB9359/20	20	102.8mm
CTB9359/21	21	107.9mm
CTB9359/22	22	113mm
CTB9359/23	23	118mm
CTB9359/24	24	123.1mm

CTB9359

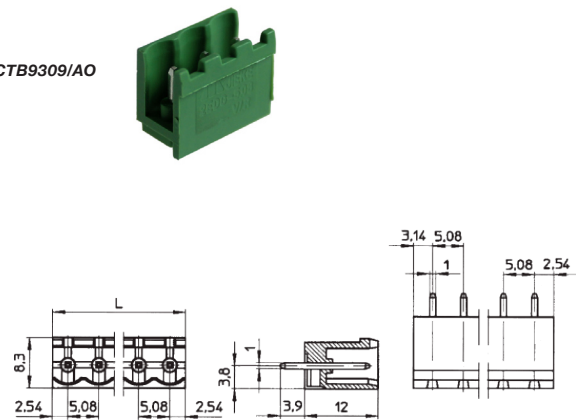


PCB mounting male vertical (open ended)

TYPE NO.	POLES	LENGTH
CTB9309/2AO	2	10.2mm
CTB9309/3AO	3	15.2mm
CTB9309/4AO	4	20.3mm
CTB9309/5AO	5	25.4mm
CTB9309/6AO	6	30.5mm
CTB9309/7AO	7	35.6mm
CTB9309/8AO	8	40.6mm
CTB9309/9AO	9	45.7mm
CTB9309/10AO	10	50.8mm
CTB9309/11AO	11	55.9mm
CTB9309/12AO	12	61mm
CTB9309/13AO	13	66mm

TYPE NO.	POLES	LENGTH
CTB9309/14AO	14	71.1mm
CTB9309/15AO	15	76.2mm
CTB9309/16AO	16	81.3mm
CTB9309/17AO	17	86.4mm
CTB9309/18AO	18	91.4mm
CTB9309/19AO	19	96.5mm
CTB9309/20AO	20	101.6mm
CTB9309/21AO	21	106.7mm
CTB9309/22AO	22	111.7mm
CTB9309/23AO	23	116.8mm
CTB9309/24AO	24	121.9mm

CTB9309/AO



X-ON Electronics

Largest Supplier of Electrical and Electronic Components

Click to view similar products for [camden manufacturer](#):

Other Similar products are found below :

[412689X](#) [CTBP92VE/12R](#) [CTBP9350/12](#) [IND515205-240-T/GRN](#) [IND515205-240-T/RD](#) [IND5032405-240-T/GRN](#) [CE10.00.EI](#)
[C192SHAND](#) [CNMB/6ST/2](#) [CNMB/4ST/2](#) [CSACST004](#) [CTBP9200/9](#) [CIME/M/BE2250SS](#) [CHH64E1BL](#) [CIM/15W-DMFS](#) [CHHBAT2GY](#)
[CFTBN/2](#) [CCB2S1/04](#) [CHDX6-221C](#) [CHDX8-224](#) [CHDASMP29](#) [CHDASMP34](#) [CHDX810DD](#) [CHDX811DD](#) [CCTTM40LR](#)
[CTBP92VJ/5S](#) [CTBP92VJ/8R](#) [CTSN431/12/M](#) [CTSN433/12/M](#) [CUABOX006](#) [CE10.00.FM](#) [CBRPH-BLK](#) [BIM2003/13-WH/WH](#)
[RX2008/S-5-WH](#) [CBARD-CAR](#) [CRDCG0007](#) [CNMB/4/KIT](#) [CTB5050/5](#) [CTBP92HE/11](#) [CTBP9358/10AO](#) [CHH66C2GY](#) [CHH456PBK](#)
[CHH451ABK](#) [CIM/9W-DMFS](#) [CIM/25W-DMFS](#) [RTM5006/16-NC-BLK](#) [IND5032405-125-T/AMB](#) [CCB1S1/03](#) [CCD2S1/04](#) [CCE1S1/05](#)