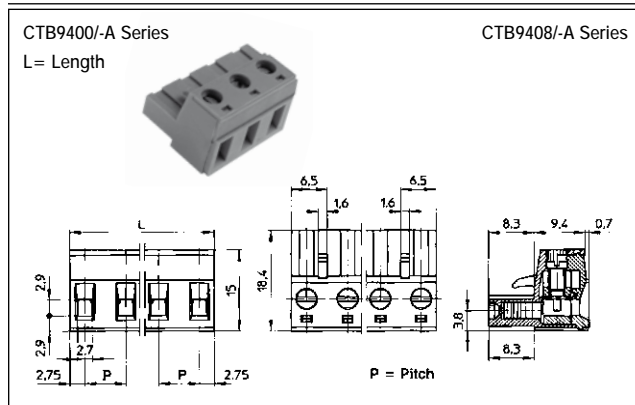


7.5mm & 7.62mm Pitch Plug-in Rising Clamp Terminal

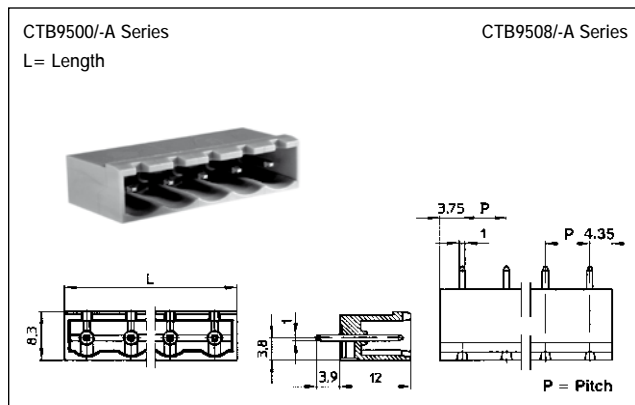
- 2-12 pole solid block
 - Plug in
 - Open & closed headers
 - Horizontal female plug style
- Polarised mouldings
 - Moulded in green
 - UL94-V0 flame retardant PA
 - Professional rising
- clamp terminals
 - 2.5mm² cable entry
 - CE, RoHS, REACH approved
 - Anti solder wicking
 - Captive screws
- Guided pin alignment

Female connector



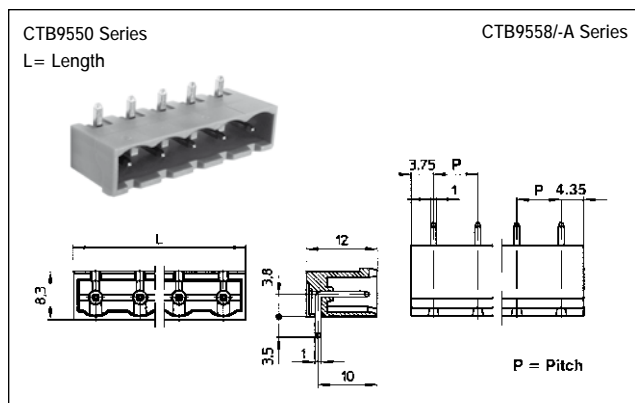
Type No.	Poles	Length	Type No.	Poles	Length
7.5mm			7.62mm		
CTB9400/2	2	13mm	CTB9408/2	2	13.24mm
CTB9400/3	3	20.5mm	CTB9408/3	3	20.86mm
CTB9400/4	4	28mm	CTB9408/4	4	28.48mm
CTB9400/5	5	35.5mm	CTB9408/5	5	36.10mm
CTB9400/6	6	43mm	CTB9408/6	6	43.72mm
CTB9400/7	7	50.5mm	CTB9408/7	7	51.34mm
CTB9400/8	8	58mm	CTB9408/8	8	58.96mm
CTB9400/9	9	65.5mm	CTB9408/9	9	66.58mm
CTB9400/10	10	73mm	CTB9408/10	10	74.20mm
CTB9400/11	11	80.5mm	CTB9408/11	11	81.82mm
CTB9400/12	12	88mm	CTB9408/12	12	89.44mm

PCB mounting male vertical (closed ended)



Type No.	Poles	Length	Type No.	Poles	Length
7.5mm			7.62mm		
CTB9500/2	2	15mm	CTB9508/2	2	15.24mm
CTB9500/3	3	22.5mm	CTB9508/3	3	22.86mm
CTB9500/4	4	30mm	CTB9508/4	4	30.48mm
CTB9500/5	5	37.5mm	CTB9508/5	5	38.10mm
CTB9500/6	6	45mm	CTB9508/6	6	45.72mm
CTB9500/7	7	52.5mm	CTB9508/7	7	53.34mm
CTB9500/8	8	60mm	CTB9508/8	8	60.96mm
CTB9500/9	9	67.5mm	CTB9508/9	9	68.58mm
CTB9500/10	10	75mm	CTB9508/10	10	76.20mm
CTB9500/11	11	82.5mm	CTB9508/11	11	83.82mm
CTB9500/12	12	90mm	CTB9508/12	12	91.44mm

PCB mounting male horizontal (closed ended)



Type No.	Poles	Length	Type No.	Poles	Length
7.5mm			7.62mm		
CTB9550/2	2	15mm	CTB9558/2	2	15.24mm
CTB9550/3	3	22.5mm	CTB9558/3	3	22.86mm
CTB9550/4	4	30mm	CTB9558/4	4	30.48mm
CTB9550/5	5	37.5mm	CTB9558/5	5	38.10mm
CTB9550/6	6	45mm	CTB9558/6	6	45.72mm
CTB9550/7	7	52.5mm	CTB9558/7	7	53.34mm
CTB9550/8	8	60mm	CTB9558/8	8	60.96mm
CTB9550/9	9	67.5mm	CTB9558/9	9	68.58mm
CTB9550/10	10	75mm	CTB9558/10	10	76.20mm
CTB9550/11	11	82.5mm	CTB9558/11	11	83.82mm
CTB9550/12	12	90mm	CTB9558/12	12	91.44mm

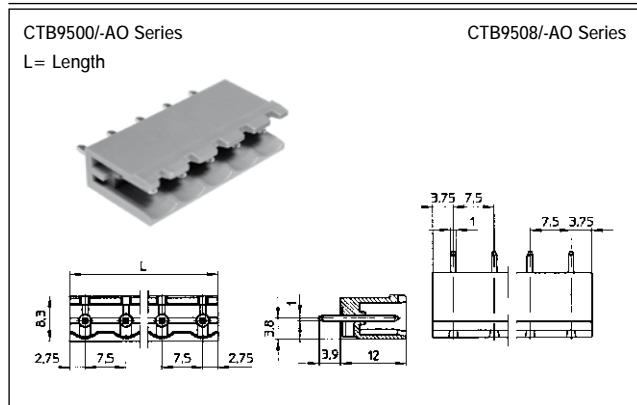
7.5mm & 7.62mm Pitch Plug-in Rising Clamp Terminal

Specification

Rating	12A/500V, UL=12A, CUL=12A, IMQ=12A
Dielectric strength	≥3kV
Impulse withstand voltage	6kV
Working temperature	110°C
Moulding	UL94-V0 flame retardant PA

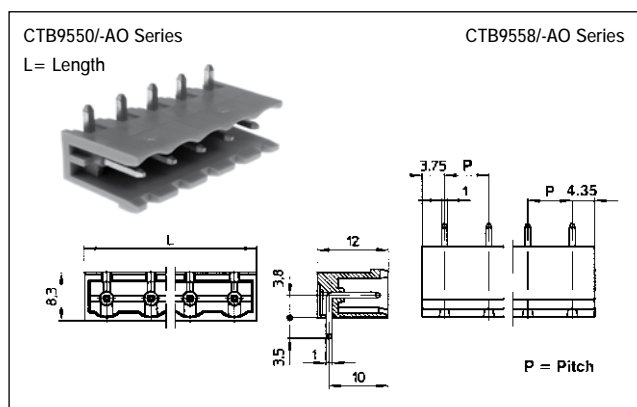
Pin/terminal	Tinned phosphor bronze
Rising clamp	Nickel copper flash brass
Screw/torque	M3 steel, zinc, colour plated/0.5Nm
Recommended PCB hole size	ø1.4mm

PCB mounting male vertical (open ended)



Type No.	Poles	Length	Type No.	Poles	Length
7.5mm			7.62mm		
CTB9500/2AO	2	13mm	CTB9508/2AO	2	13.24mm
CTB9500/3AO	3	20.5mm	CTB9508/3AO	3	20.86mm
CTB9500/4AO	4	28mm	CTB9508/4AO	4	28.48mm
CTB9500/5AO	5	35.5mm	CTB9508/5AO	5	36.10mm
CTB9500/6AO	6	43mm	CTB9508/6AO	6	43.72mm
CTB9500/7AO	7	50.5mm	CTB9508/7AO	7	51.34mm
CTB9500/8AO	8	58mm	CTB9508/8AO	8	58.96mm
CTB9500/9AO	9	65.5mm	CTB9508/9AO	9	66.58mm
CTB9500/10AO	10	73mm	CTB9508/10AO	10	74.20mm
CTB9500/11AO	11	80.5mm	CTB9508/11AO	11	81.82mm
CTB9500/12AO	12	88mm	CTB9508/12AO	12	89.44mm

PCB mounting male horizontal (open ended)



Type No.	Poles	Length	Type No.	Poles	Length
7.5mm			7.62mm		
CTB9550/2AO	2	13mm	CTB9558/2AO	2	13.24mm
CTB9550/3AO	3	20.50mm	CTB9558/3AO	3	20.86mm
CTB9550/4AO	4	28mm	CTB9558/4AO	4	28.48mm
CTB9550/5AO	5	35.50mm	CTB9558/5AO	5	36.10mm
CTB9550/6AO	6	43mm	CTB9558/6AO	6	43.72mm
CTB9550/7AO	7	50.50mm	CTB9558/7AO	7	51.34mm
CTB9550/8AO	8	58mm	CTB9558/8AO	8	58.96mm
CTB9550/9AO	9	65.50mm	CTB9558/9AO	9	66.58mm
CTB9550/10AO	10	73mm	CTB9558/10AO	10	74.20mm
CTB9550/11AO	11	80.50mm	CTB9558/11AO	11	81.82mm
CTB9550/12AO	12	88mm	CTB9558/12AO	12	89.44mm

X-ON Electronics

Largest Supplier of Electrical and Electronic Components

Click to view similar products for [camden manufacturer](#):

Other Similar products are found below :

[412689X](#) [CTBP92VE/12R](#) [CTBP9350/12](#) [IND515205-240-T/GRN](#) [IND515205-240-T/RD](#) [IND5032405-240-T/GRN](#) [CE10.00.EI](#)
[C192SHAND](#) [CNMB/6ST/2](#) [CNMB/4ST/2](#) [CSACST004](#) [CTBP9200/9](#) [CIME/M/BE2250SS](#) [CHH64E1BL](#) [CIM/15W-DMFS](#) [CHHBAT2GY](#)
[CFTBN/2](#) [CCB2S1/04](#) [CHDX6-221C](#) [CHDX8-224](#) [CHDASMP29](#) [CHDASMP34](#) [CHDX810DD](#) [CHDX811DD](#) [CCTTM40LR](#)
[CTBP92VJ/5S](#) [CTBP92VJ/8R](#) [CTSN431/12/M](#) [CTSN433/12/M](#) [CUABOX006](#) [CE10.00.FM](#) [CBRPH-BLK](#) [BIM2003/13-WH/WH](#)
[RX2008/S-5-WH](#) [CBARD-CAR](#) [CRDCG0007](#) [CNMB/4/KIT](#) [CTB5050/5](#) [CTBP92HE/11](#) [CTBP9358/10AO](#) [CHH66C2GY](#) [CHH456PBK](#)
[CHH451ABK](#) [CIM/9W-DMFS](#) [CIM/25W-DMFS](#) [RTM5006/16-NC-BLK](#) [IND5032405-125-T/AMB](#) [CCB1S1/03](#) [CCD2S1/04](#) [CCE1S1/05](#)