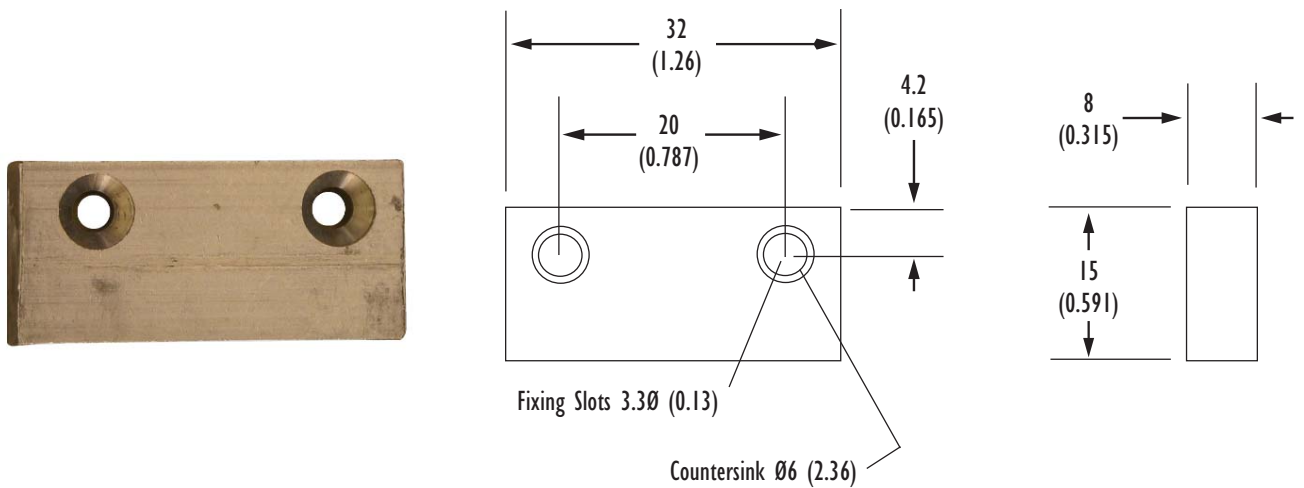


Product Data Sheet

Part Number : CTCM

Rectangular Cased Magnet

PICTURE **DIMENSIONS**



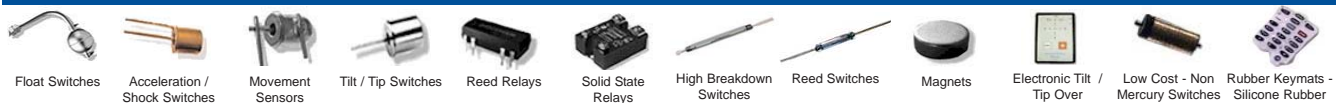
Drawings not to scale
All dimensions in mm(inches) nominal

SPECIFICATIONS

Style	Rectangular
Length	32 mm (1.260 in)
Height	8 mm (.315 in)
Width	15 mm (.591 in)
Case Material	Aluminium

REV. NO.	REVISION NOTE	DATE	SIGNATURE
-	Original	May 07, 2008	LG

Take a look at our variety of products



FORM AE043 ISS.2



ISO 9001:2000
Reg. No FM 21080

As part of the company policy of continued product improvement, specifications may change without notice. Our sales office will be pleased to help you with the latest information on this product range and the details of our full design and manufacturing service. All products are supplied to our standard conditions of sale unless otherwise agreed in writing.

©2008 Copyright Comus International Inc. Website: www.comus-intl.com
Assemtech Europe Ltd, Unit 7, Rice Bridge Industrial Estate, Thorpe - Le - Soken, Essex, CO16 0HL, ENGLAND.
Phone: +44 (0)1255 862236 Fax: +44 (0)1255 862014 Website: www.assemtech.co.uk
USA: + 1 973 777 6900 - Belgium: + 32 (0)12 390400 - France: + 33 (0) 1 43 96 86 10

X-ON Electronics

Largest Supplier of Electrical and Electronic Components

Click to view similar products for [Sensor Hardware & Accessories](#) category:

Click to view products by [Comus](#) manufacturer:

Other Similar products are found below :

[62105012-000](#) [F03-01 SUS304 BINIL](#) [FH-AP1](#) [PH-1-10M](#) [PH-1-20M](#) [PH-2-30M](#) [AC201](#) [R4](#) [R-8580-360](#) [ADI-LC3S](#) [E39-L149](#) [PBT420-100R](#) [K35-4](#) [SDV-DH3 DC48](#) [SDV-DH7 AC200/220](#) [SDV-FL3 DC48](#) [SDV-FM2 DC24](#) [SDV-FM3 DC48](#) [SDV-FM6 AC100/110](#) [SDV-SH15](#) [A-1923](#) [STA12](#) [AP4-T](#) [PH-1-50M](#) [R6](#) [R-8580-362](#) [D01051301](#) [3Z4S-ML-PL305](#) [43912557-020](#) [MF-1 D=3.2](#) [BGN-035](#) [05282945-006](#) [E39-L7](#) [EE-1006-8 2M](#) [SDV-FL6 AC100/110](#) [SDV-FL7 AC200/220](#) [SDV-FM7 AC200/220](#) [SDV-SH10](#) [8000-5110](#) [ZX-SB11](#) [ZLR12GI12V3](#) [XZCC43FCP40B](#) [D01070602](#) [606075](#) [ZCM077GIV5](#) [Y92ES12PVC4A10ML](#) [Y92ES12PVC4S5ML](#) [ZFV-XMF2](#) [28810-2](#) [ZX-SW11E V3](#)