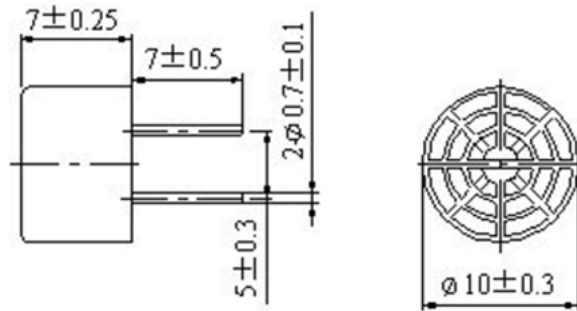


# ULTRASONIC TRANSDUCER

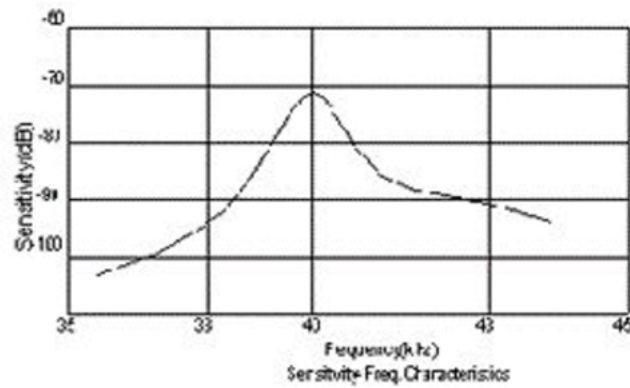
Ultrasonic Transmitter **CTD40K1007T**  
Ultrasonic Receiver **CTD40K1007R**

## C. APPEARANCE DRAWING

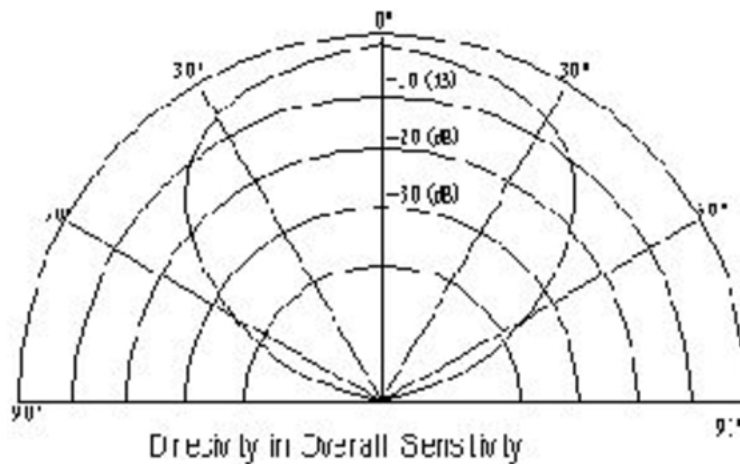
Model NO : Unit:mm



## D. INPUT VOLTAGE/S.P.L CHARACTERISTICS



## E. DIRECTIVITY



# ULTRASONIC TRANSDUCER

Ultrasonic Transmitter  
Ultrasonic Receiver

CTD40K1007T  
CTD40K1007R

## A. SCOPE

This specification applies ultrasonic sensor diaphragm,

## B. SPECIFICATION

No.	Item	Unit	Specification	Condition
1	Construction		Open structure type	
2	Using Method		Transmitter and Receiver	
3	Center Frequency	KHz	40±1	
4	Free Capacitance	PF	2000±20%	at 1KHz
5	Min. Sound Pressure level	dB	≥110	10Vrms/30cm
6	Sensitivity	dB	≥-65±3	
7	Material		Plastic	
8	Operating temp	℃	-30~+85	
9	Storage temp	℃	-40~+90	
10	Dimension	mm	10*7	See appearance drawing
11	Weight	g	1.0	

PCB  
TERMINAL  
BLOCKS

INTER-  
CONNECTION

FUSES &  
FUSE-  
HOLDERS

LEDs &  
INDICATORS

MINIATURE  
SWITCHES

LIMIT &  
SAFETY  
SWITCHES

CONTROL  
PRODUCTS

INTERFACE  
MODULES &  
SUPPORTS

RELAY  
BASES

DIN RAIL  
ENCLOSURES

BATTERIES

TRANS-  
FORMERS



+44 (0)1638 716101  
info@camdenboss.com  
www.camdenboss.com

We operate a constant improvement policy,  
our products are subject to change without notice.

Ver 1.0

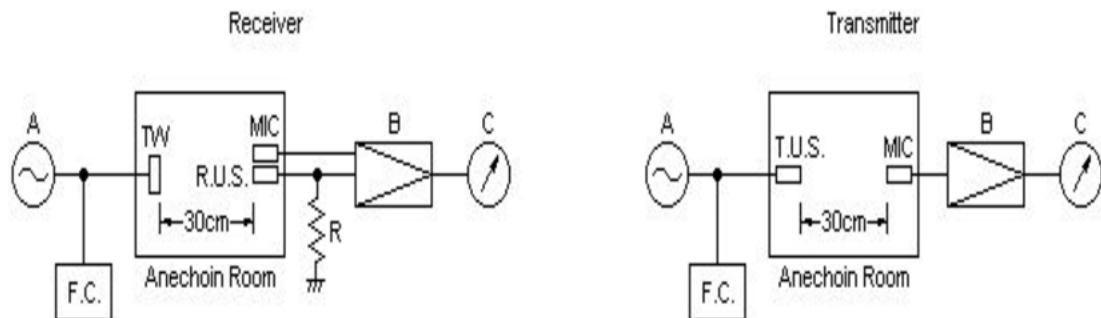
**CAMDENBOSS**  
ELECTRONICS & ENCLOSURES

# ULTRASONIC TRANSDUCER

Ultrasonic Transmitter  
Ultrasonic Receiver

CTD40K1007T  
CTD40K1007R

## F. TEST CIRCUIT



A: Oscillator    B: Amplifier    C: Voltmeter    R: 3.9K    MIC: Microphone    TW: Tweeter    R.U.S.: Receiver Ultrasonic Sensor    T.U.S.: Transmitter Ultrasonic Sensor    F.C.: Frequency Counter

### ※ NOTES

- ⌘ This sensor is designed for use in air. Do not use this sensor in fluid.
- ⌘ To prevent sensor malfunctions, operational failure or any deterioration of its characteristics, do not use this sensor in the following, or similar conditions.
  - A. In strong shock or vibration.
  - B. In high temperature and humidity for a long time. C. In corrosive gases or sea breeze.
  - D. In an atmosphere of organic solvents.
 In dirty and dusty environments that may contaminate the sensor front.

## X-ON Electronics

Largest Supplier of Electrical and Electronic Components

*Click to view similar products for [camden manufacturer](#):*

Other Similar products are found below :

[412689X](#) [CTBP92VE/12R](#) [CTBP9350/12](#) [IND515205-240-T/GRN](#) [IND515205-240-T/RD](#) [IND5032405-240-T/GRN](#) [CE10.00.EI](#)  
[C192SHAND](#) [CNMB/6ST/2](#) [CNMB/4ST/2](#) [CSACST004](#) [CTBP9200/9](#) [CIME/M/BE2250SS](#) [CHH64E1BL](#) [CIM/15W-DMFS](#) [CHHBAT2GY](#)  
[CFTBN/2](#) [CCB2S1/04](#) [CHDX6-221C](#) [CHDX8-224](#) [CHDASMP29](#) [CHDASMP34](#) [CHDX810DD](#) [CHDX811DD](#) [CCTTM40LR](#)  
[CTBP92VJ/5S](#) [CTBP92VJ/8R](#) [CTSN431/12/M](#) [CTSN433/12/M](#) [CUABOX006](#) [CE10.00.FM](#) [CBRPH-BLK](#) [BIM2003/13-WH/WH](#)  
[RX2008/S-5-WH](#) [CBARD-CAR](#) [CRDCG0007](#) [CNMB/4/KIT](#) [CTB5050/5](#) [CTBP92HE/11](#) [CTBP9358/10AO](#) [CHH66C2GY](#) [CHH456PBK](#)  
[CHH451ABK](#) [CIM/9W-DMFS](#) [CIM/25W-DMFS](#) [RTM5006/16-NC-BLK](#) [IND5032405-125-T/AMB](#) [CCB1S1/03](#) [CCD2S1/04](#) [CCE1S1/05](#)