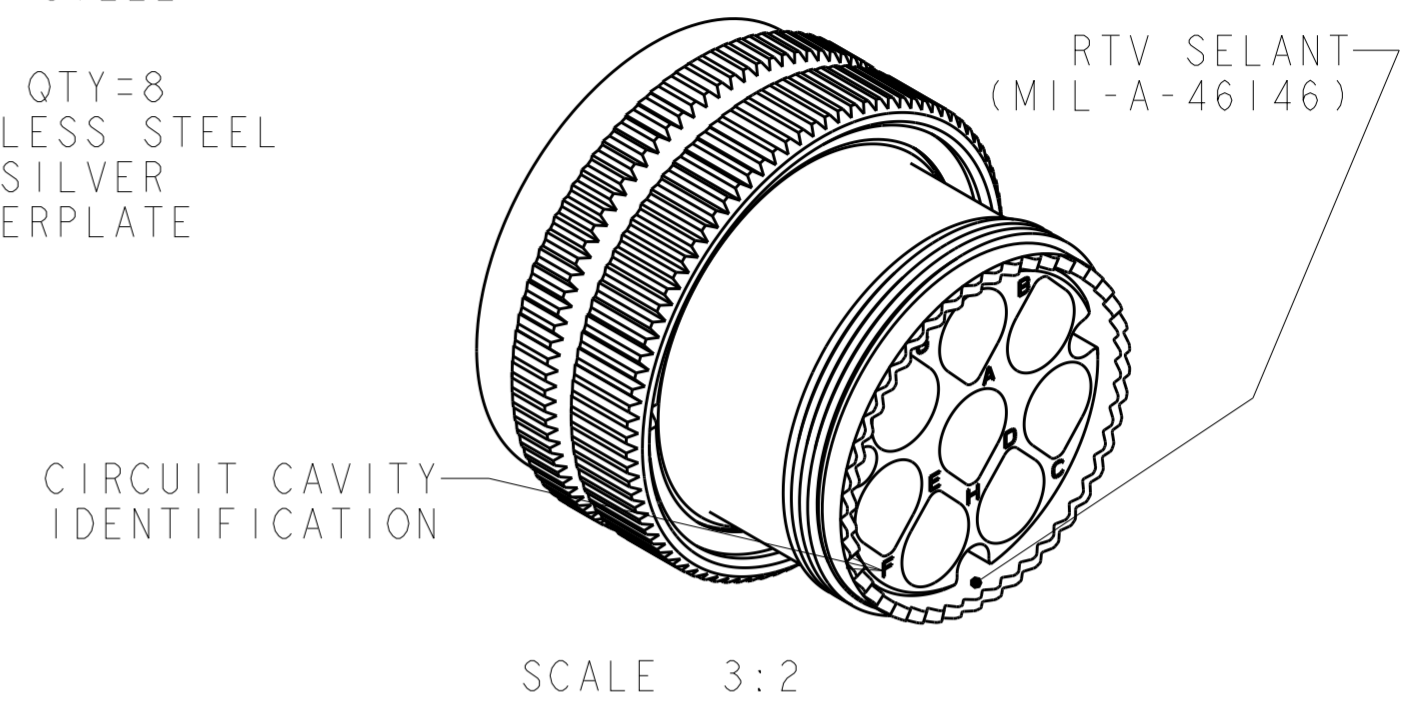
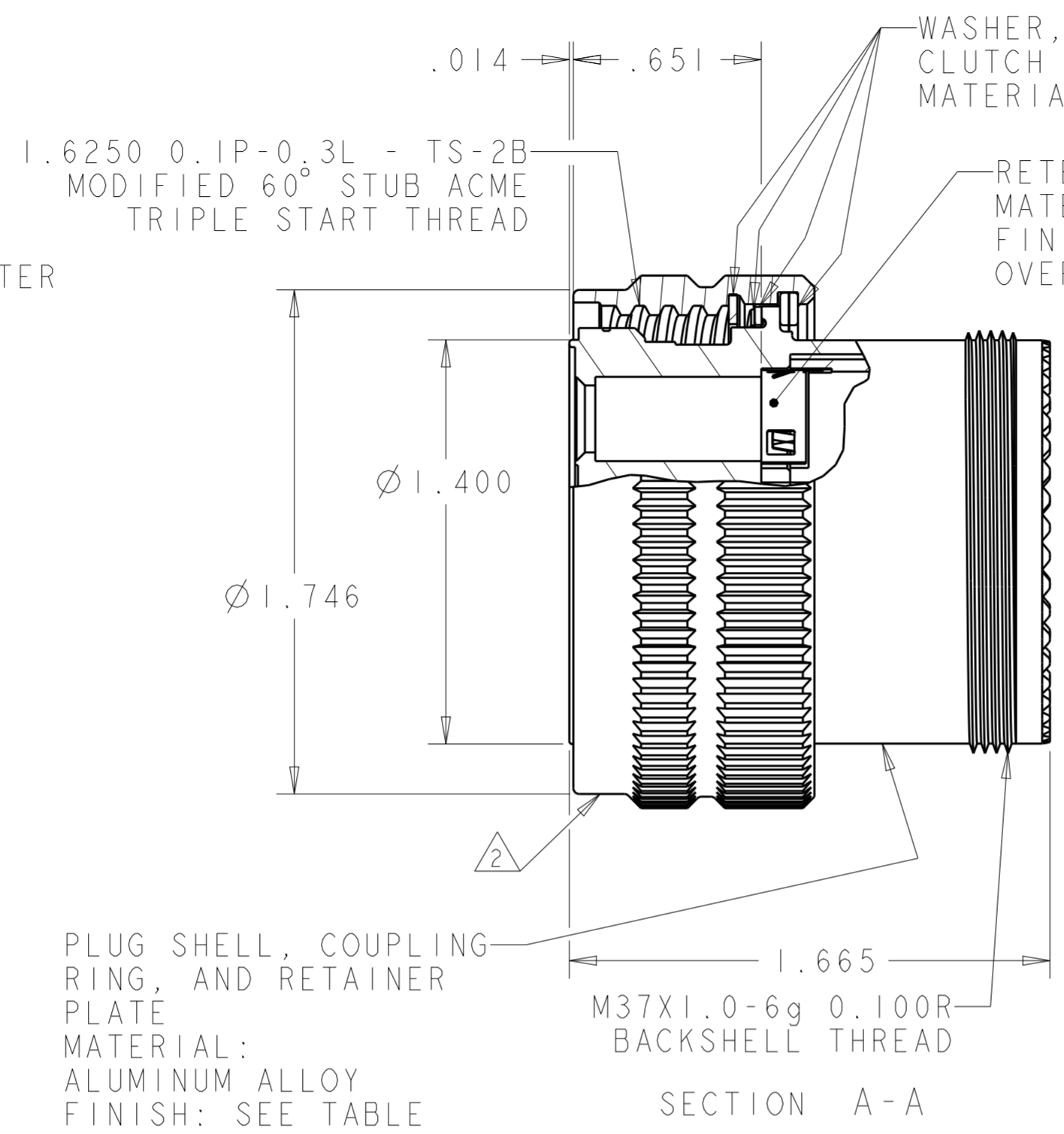
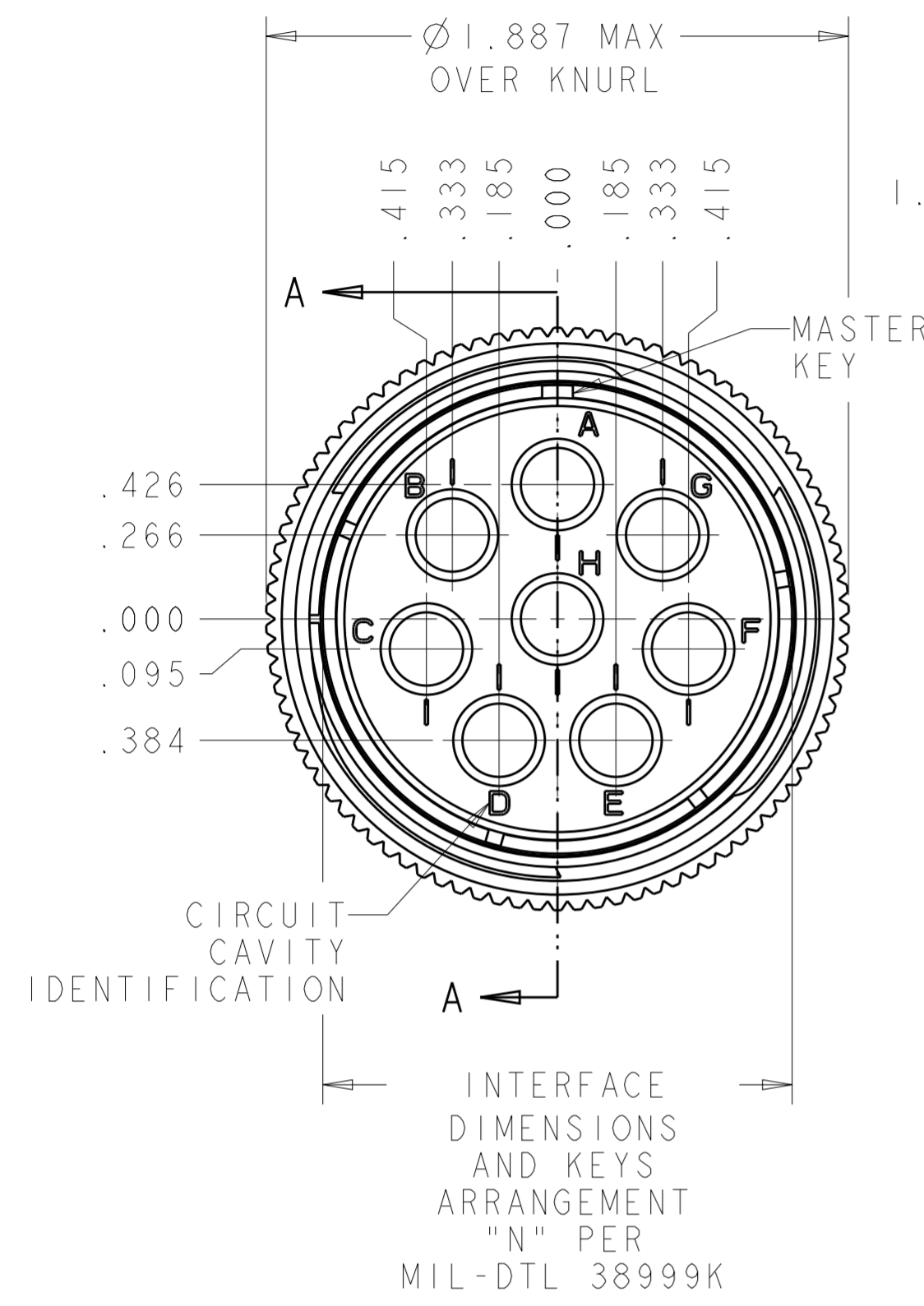


THIS DRAWING IS UNPUBLISHED. RELEASED FOR PUBLICATION 20
 © COPYRIGHT 20 BY - ALL RIGHTS RESERVED.

REVISIONS				
P	LTR	DESCRIPTION	DATE	APVD
G		REV PER ECO 15-003148	2-27-15	CT DM



OLIVE DRAB	SOLD SEPARATELY	B	1-1811928-5
OLIVE DRAB	SOLD SEPARATELY	A	1-1811928-4
OLIVE DRAB	SOLD SEPARATELY	N	1-1811928-3
OLIVE DRAB	PROVIDED UN-ASSEMBLED	B	1-1811928-2
OLIVE DRAB	PROVIDED UN-ASSEMBLED	A	1-1811928-1
OLIVE DRAB	PROVIDED UN-ASSEMBLED	N	1-1811928-0
NICKEL	SOLD SEPARATELY	B	1811928-9
NICKEL	SOLD SEPARATELY	A	1811928-8
NICKEL	SOLD SEPARATELY	N	1811928-7
NICKEL	PROVIDED UN-ASSEMBLED	B	1811928-3
NICKEL	PROVIDED UN-ASSEMBLED	A	1811928-2
NICKEL	PROVIDED UN-ASSEMBLED	N	1811928-1
FINISH	QUADRAX CONTACT 1445693-3 QTY=8	SHELL KEYING ARRANGEMENT	PART NUMBER

- 1, -2, -3, -10, -11 AND -12 CONNECTOR KIT INCLUDES TYCO ELECTRONICS QUADRAX PIN ASSEMBLY; PART NUMBER 1445693-3. QTY = 8 PER KIT.
- △ PART IS MARKED WITH TYCO ELECTRONICS PART NO. (SEE TABLE), TYCO ELECTRONICS LOGO OR TE, AND DATE CODE.
- OPERATING TEMPERATURE RANGE: -65°C TO +125°C (-85°F TO +257°F).
- THE CONNECTOR QUALIFICATION WAS COMPLETED PER TYCO ELECTRONICS 108-2199. THE QUADRAX CONTACTS ARE QUALIFIED PER TYCO ELECTRONICS 108-2131. THE REFERENCE TEST REPORTS ARE TYCO ELECTRONICS 501-660 FOR THE CONNECTOR AND 501-574 FOR THE CONTACTS WHICH ARE SAME AS ARINC 600-13, DRAFT 2 OF SUPPLEMENT 14 (AIR TRANSPORT AVIONICS EQUIPMENT INTERFACES).

THIS DRAWING IS A CONTROLLED DOCUMENT.

DWN R FLAIG 17MAY2005
 CHK L OH 17MAY2005
 APVD L OH 17MAY2005

STE TE Connectivity

NAME ASSY, PLUG, SIZE 25, 808, M38999 STYLE

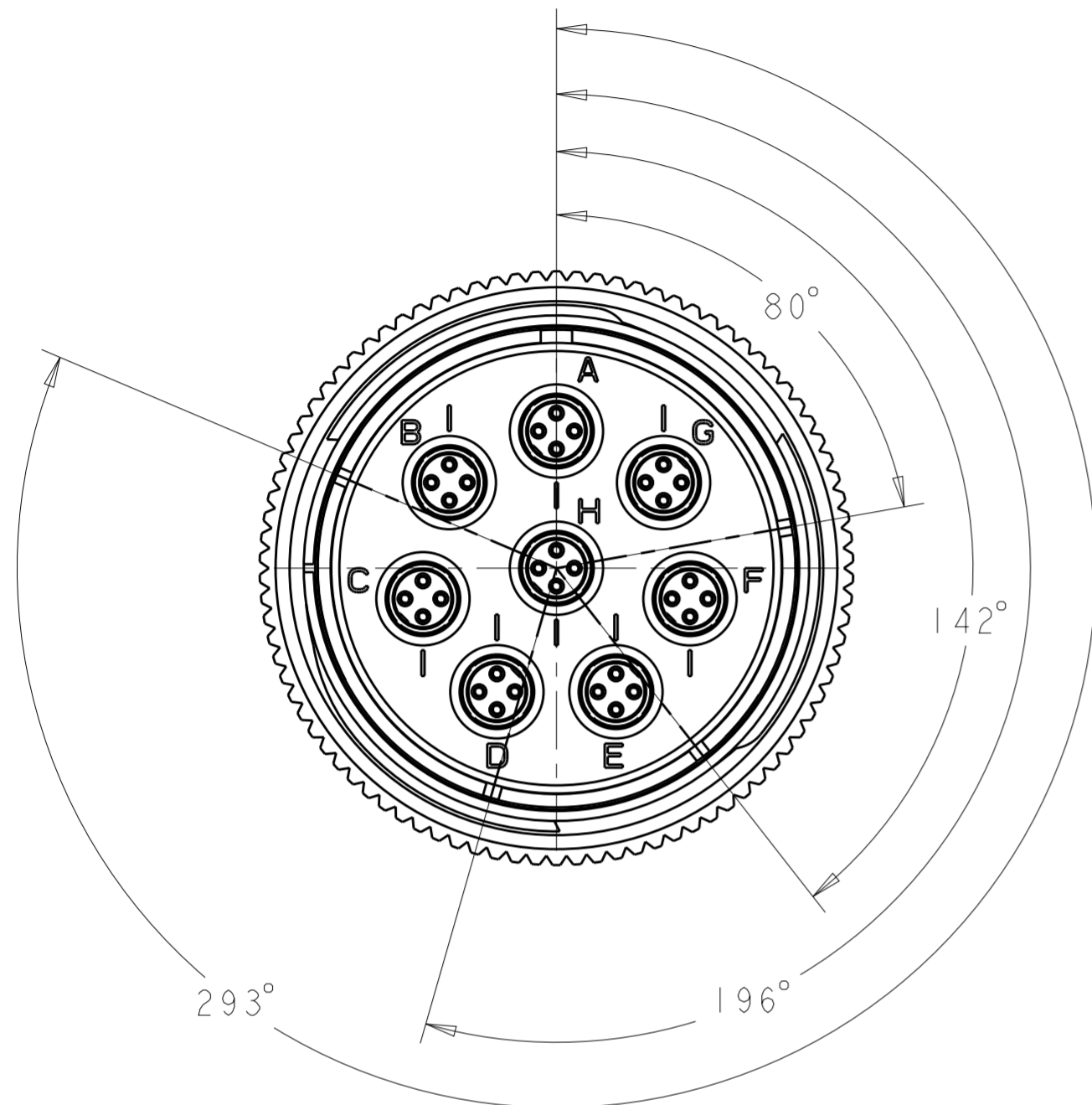
SIZE A2 CAGE CODE 00779 DRAWING NO. C-1811928

RESTRICTED TO

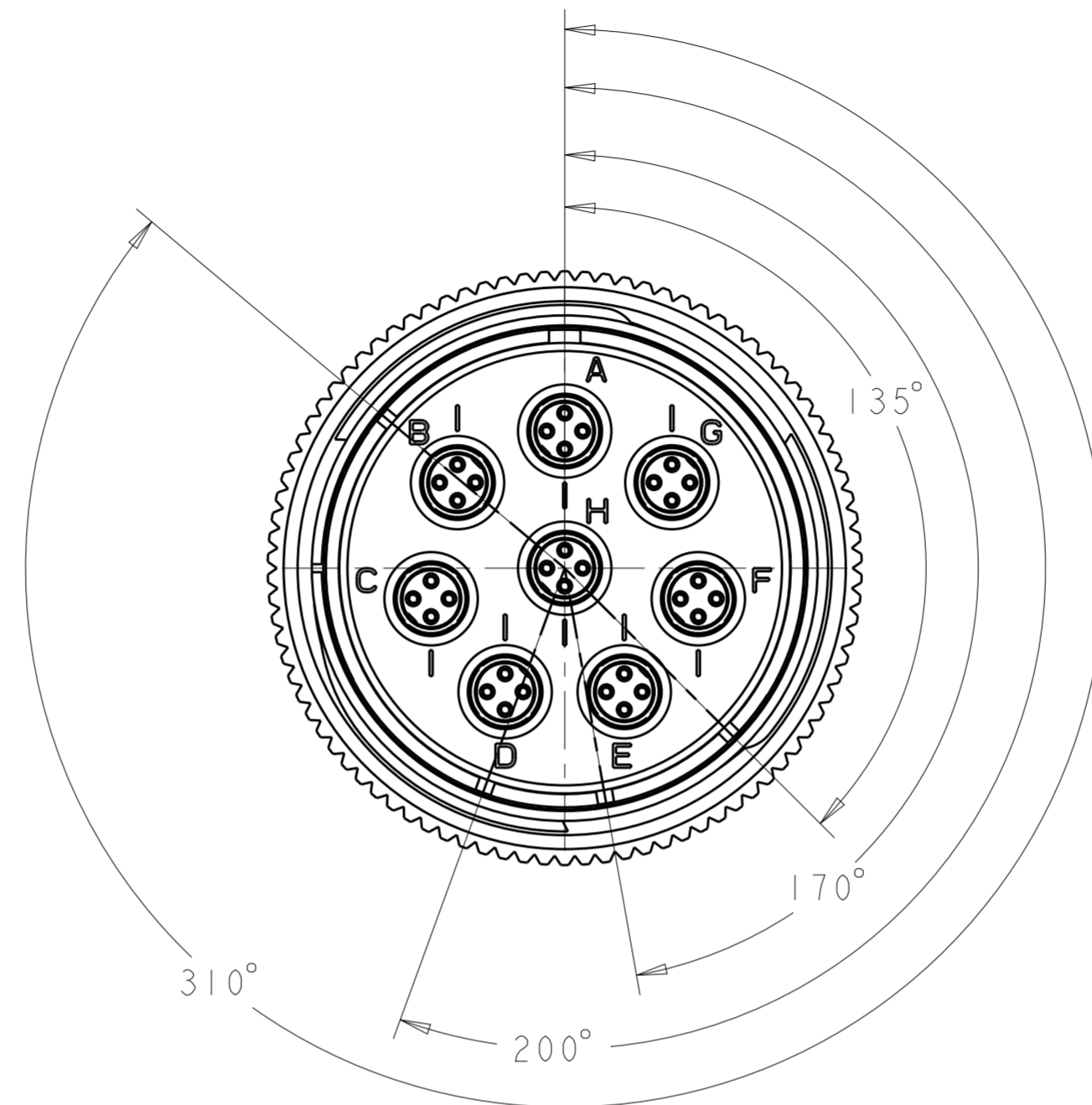
CUSTOMER DRAWING SCALE 2:1 SHEET 1 OF 2 REV G

THIS DRAWING IS UNPUBLISHED. RELEASED FOR PUBLICATION 20
 © COPYRIGHT 20 BY - ALL RIGHTS RESERVED.

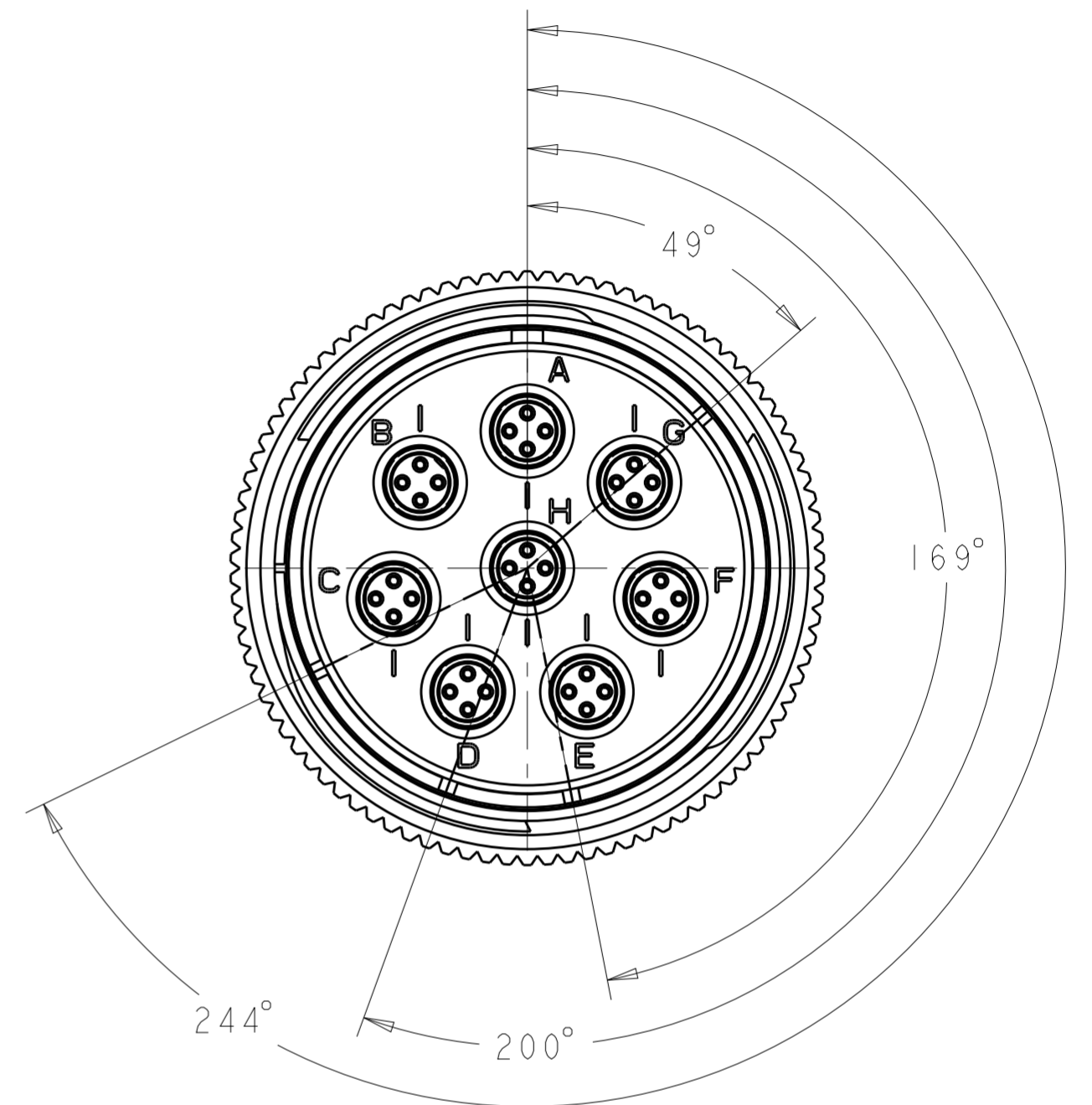
REVISIONS				
P	LTR	DESCRIPTION	DATE	APVD
-		SEE SHEET 1	-	-



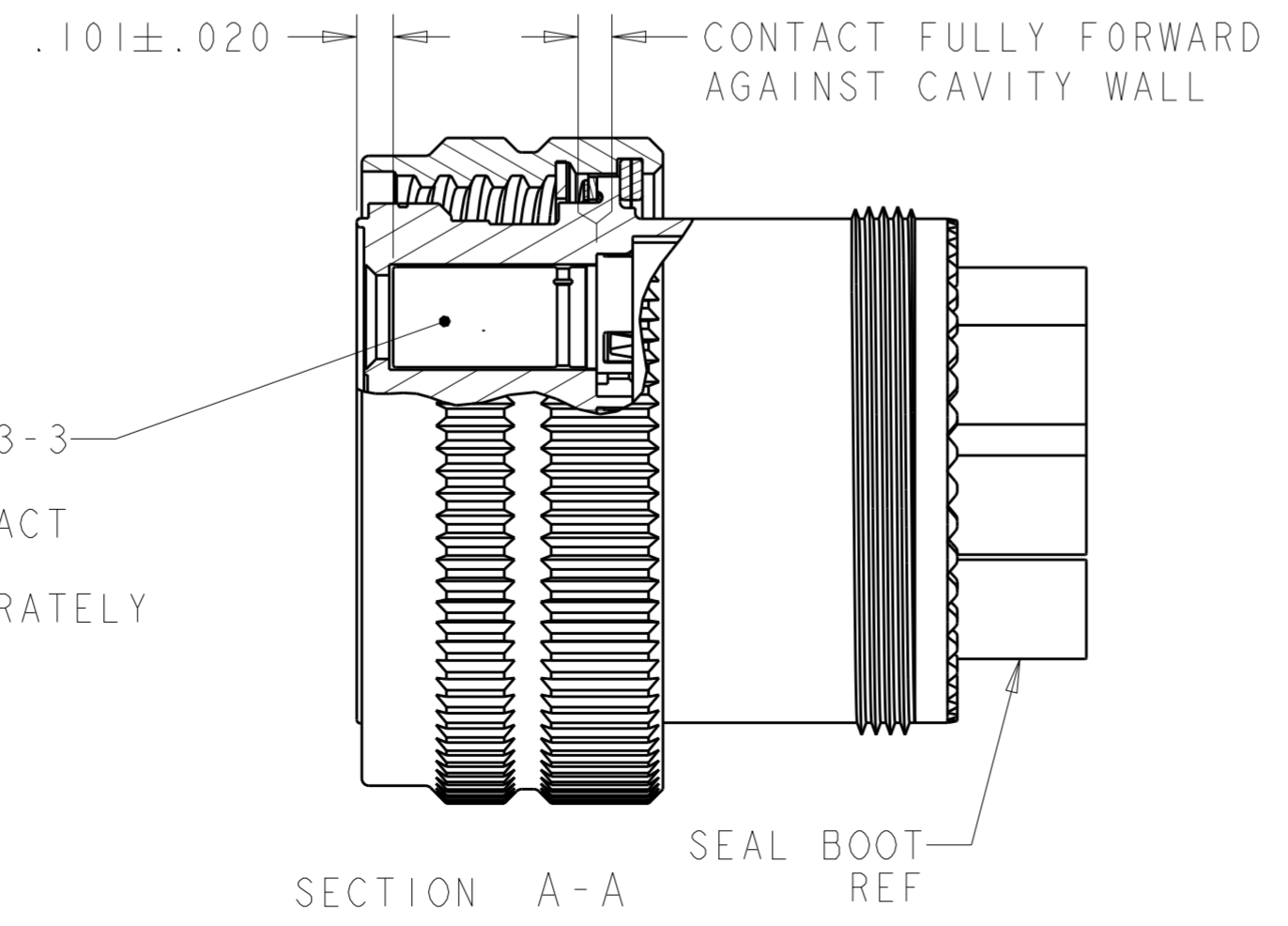
1811928-1
 "N" KEY POLARIZATION



1811928-2
 "A" KEY POLARIZATION



1811928-3
 "B" KEY POLARIZATION



QUADRAX SOCKET ASSY, 1445693-3
 SHOWN FOR REF ONLY
 -1, -2, -3, -10, -11 & -12 CONTACT
 PROVIDED UN-ASSEMBLED
 -7, -8, & -9 CONTACT SOLD SEPARATELY

THIS DRAWING IS A CONTROLLED DOCUMENT.		DWN R FLAIG 17MAY2005	TE Connectivity	
DIMENSIONS: INCHES		CHK L OH 17MAY2005		
TOLERANCES UNLESS OTHERWISE SPECIFIED:		APVD L OH 17MAY2005	NAME ASSY, PLUG, SIZE 25, 808, M38999 STYLE	
0 PLC ±- 1 PLC ±.1 2 PLC ±.01 3 PLC ±.005 4 PLC ±.0020 ANGLES ±- FINISH -		PRODUCT SPEC -	SIZE CAGE CODE DRAWING NO RESTRICTED TO	
MATERIAL -		APPLICATION SPEC -	A200779 C-1811928	
		WEIGHT -	SCALE 2:1 SHEET 2 OF 2 REV G	
		CUSTOMER DRAWING		

X-ON Electronics

Largest Supplier of Electrical and Electronic Components

Click to view similar products for [Circular MIL Spec Connector](#) category:

Click to view products by [TE Connectivity](#) manufacturer:

Other Similar products are found below :

[89075GULPR](#) [0025-262-542](#) [0025-264-3014](#) [58-570121-04S](#) [0134-213-1208](#) [0134-213-2209](#) [0025-258-000](#) [60-042022-07P](#) [60-042022-19P](#)
[60-042022-23P](#) [60-042217-10P](#) [60-042217-11P](#) [0114-201-1278](#) [012-0467-000](#) [602GB06EG24-61SN](#) [0134-201-1207](#) [0134-213-1006](#) [6104-](#)
[207-2302](#) [6104-208-1902](#) [61-168211-04P](#) [61-168617-10P](#) [6131-202-19149P](#) [6131-204-21149P](#) [6131-208-13149P](#) [6131-209-17149P](#) [6131-](#)
[210-11149P](#) [6131-211-19149P](#) [6131-216-19149P](#) [6131-259-21149P](#) [6131-259-23149P](#) [6131-265-17149P](#) [6131-265-19149P](#) [CS3100A18-1P-](#)
[472](#) [CS3100A-36-77P](#) [CS3101A-16-55P](#) [CS3102A-10SL-55P](#) [CS3102A-14S-58P](#) [CS3102A-18-1P116](#) [CS3102A-32-17P](#) [CS3102A32-25S](#)
[CS3102C18-4P-472](#) [CS3106A10SL3S004](#) [CS3106A-18-73S](#) [CS3108A-14S-52S](#) [CS3108A-28-51S](#) [6162-233-1277](#) [6162-324-1231](#)
[M243082296Z](#) [M2884010AC1S1](#) [CT0-24-10SC](#)