

SuperNine® RJ45 and USB connectors

233-300 RJ45 jack/jack or plug/jack couplers

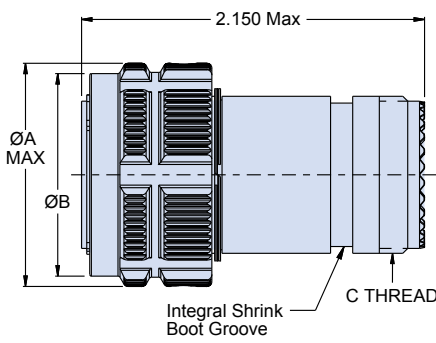
MIL-DTL-38999 Series III type



How To Order 233-300									
Sample Part Number	233-300	NF	00	G	17	5H	N	1	T
Series / Basic Part No.	SuperSeal™ RJ45 Connector								
Finish	NF = Cadmium Olive Drab ME = Electroless Nickel MT = Nickel PTFE								
Connector Style	00 = Wall Mount Receptacle with Slotted Holes 01 = Wall Mount Receptacle with Metal Cable Gland 07 = Jam Nut Receptacle 05 = In-Line Receptacle 08 = In-Line Receptacle with Metal Cable Gland G6 = Plug G7 = Plug with Metal Cable Gland								
Insert-to-Shell Grounding	- (Dash) = Inline Shielded RJ45 G = Insert grounded to shell (for use with shielded cable)								
Shell Size	17 or 19								
Temperature Rating	5H = Cat5e; for Cat6a option contact factory								
Alternate Key Position	A, B, C, D, E, N = Normal; Per MIL-DTL-38999								
RJ45 Orientation Option	1, 2, 3, or 4; see page E-2								
Shrink Boot	T = Part No. 770-028 (Omit for None)								

For panel cut-out dimensions, and electrical specifications see page E-3

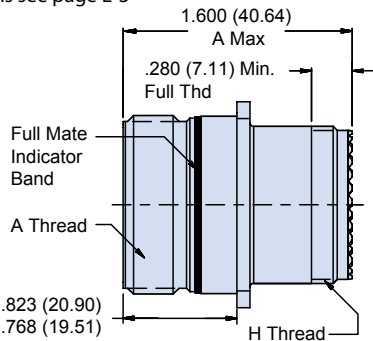
E



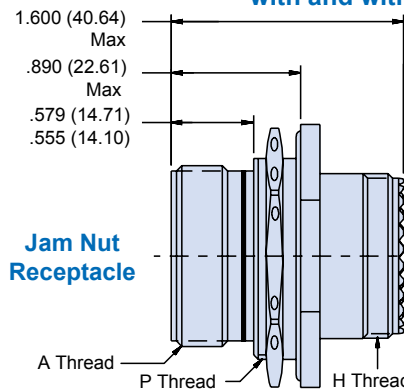
Plug

Plug Dimensions			
Shell Size	A Dia Max	B Dia	C Thread
17	1.406 (35.71)	1.276 (32.41) 1.268 (32.21)	M25 X 1.0-6g 0.100R
19	1.516 (38.51)	1.382 (35.10) 1.374 (34.90)	M28 X 1.0-6g 0.100R

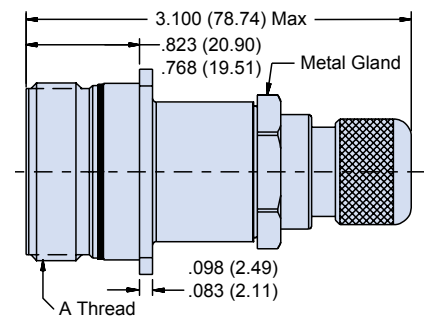
All External Dimensions, Features, etc. compliant with D38999/20, /24 & /26. Consult Factory for Additional Information



Wall Mount Receptacle with and without cable sealing gland



Jam Nut Receptacle



In-Line Receptacle

Receptacle Dimensions				
Shell Size	A Thread	H Thread	G	P Thread
17	1.1875-.1P-.3L-TS-2A	M25 X 1.0-6g 0.100R	.098 (2.49)	M32 X 1.0-6g 0.100R
19	1.2500-.1P-.3L-TS-2A	M25 X 1.0-6g 0.100R	.083 (2.11)	M32 X 1.0-6g 0.100R

X-ON Electronics

Largest Supplier of Electrical and Electronic Components

Click to view similar products for [Modular Connectors](#) / [Ethernet Connectors](#) category:

Click to view products by [Glenair](#) manufacturer:

Other Similar products are found below :

[RJE231881317T](#) [MP1010RX-1000](#) [MP44RX-1000](#) [GAX-3-66](#) [GAX-8-62](#) [93606-0253](#) [GD-A-44](#) [GDCX-PA-66-50](#) [GDCX-PN-64](#) [GDCX-PN-66](#) [GDCX-PN-66-50](#) [GDLX-A-66](#) [GDLX-A-88](#) [GDLX-N-66](#) [GDLX-S-88K](#) [GDTX-S-88-50](#) [GDX-PA-1010](#) [GLX-N-1010M-BLK](#) [GLX-N-44M](#) [GLX-S-88M-BLK](#) [GMX-N-1010](#) [GMX-S-1010](#) [GMX-S-66](#) [GMX-SMT2-N-1010](#) [GMX-SMT2-N-64-50](#) [GMX-SMT2-S6-88](#) [GMX-SMT4-N-88](#) [GPX-2-64](#) [GRT1-BT1-5](#) [GSGX-N-2-88](#) [GSX-NS2-88-3.05](#) [GSX-NS2-88-3.05-50](#) [GSX-NS-88-3.05-30](#) [GSX-NS-88-3.05-50](#) [GSX-NS-88-3.68](#) [1-1775629-2](#) [GWLX-S-88-GR](#) [GWLX-S9-88-YG](#) [1300500326](#) [1300500227](#) [1300530003](#) [1300570002](#) [1324640-4](#) [RJ11FTVC2G](#) [RJ11FTVC2N](#) [RJFTVX2SA1G](#) [132764-001](#) [1400000](#) [1413176](#) [1413235](#)