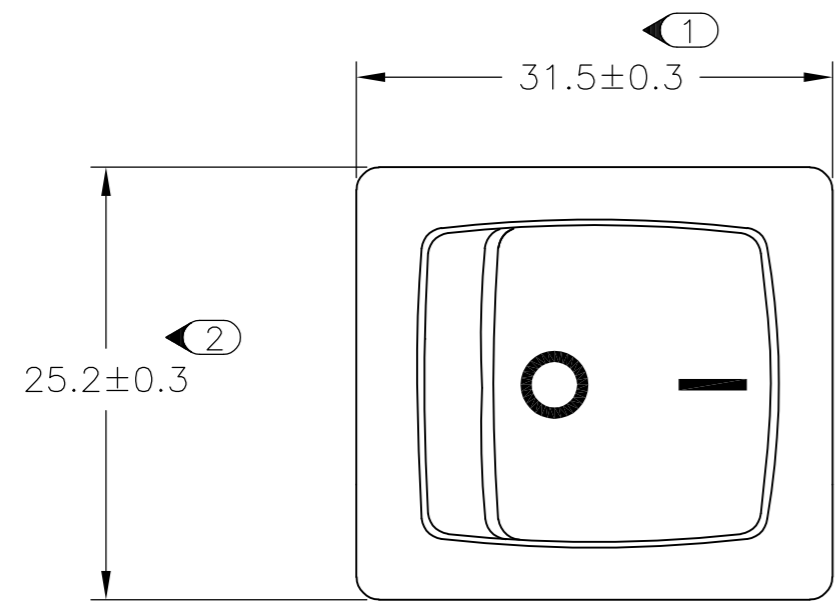
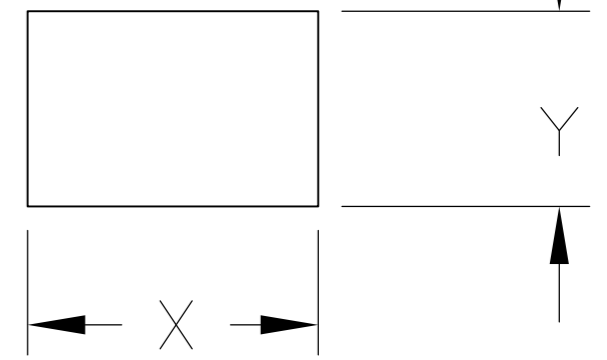


THIS DRAWING IS UNPUBLISHED. RELEASED FOR PUBLICATION 30/OCT ,2003.
 © COPYRIGHT 2003 BY TYCO ELECTRONICS CORPORATION. ALL RIGHTS RESERVED.

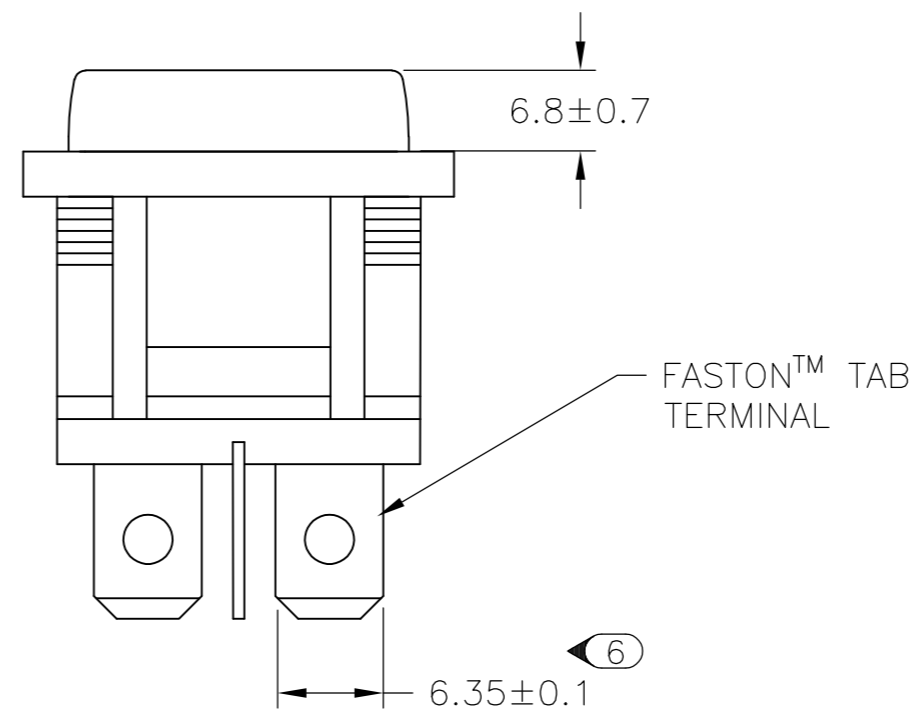
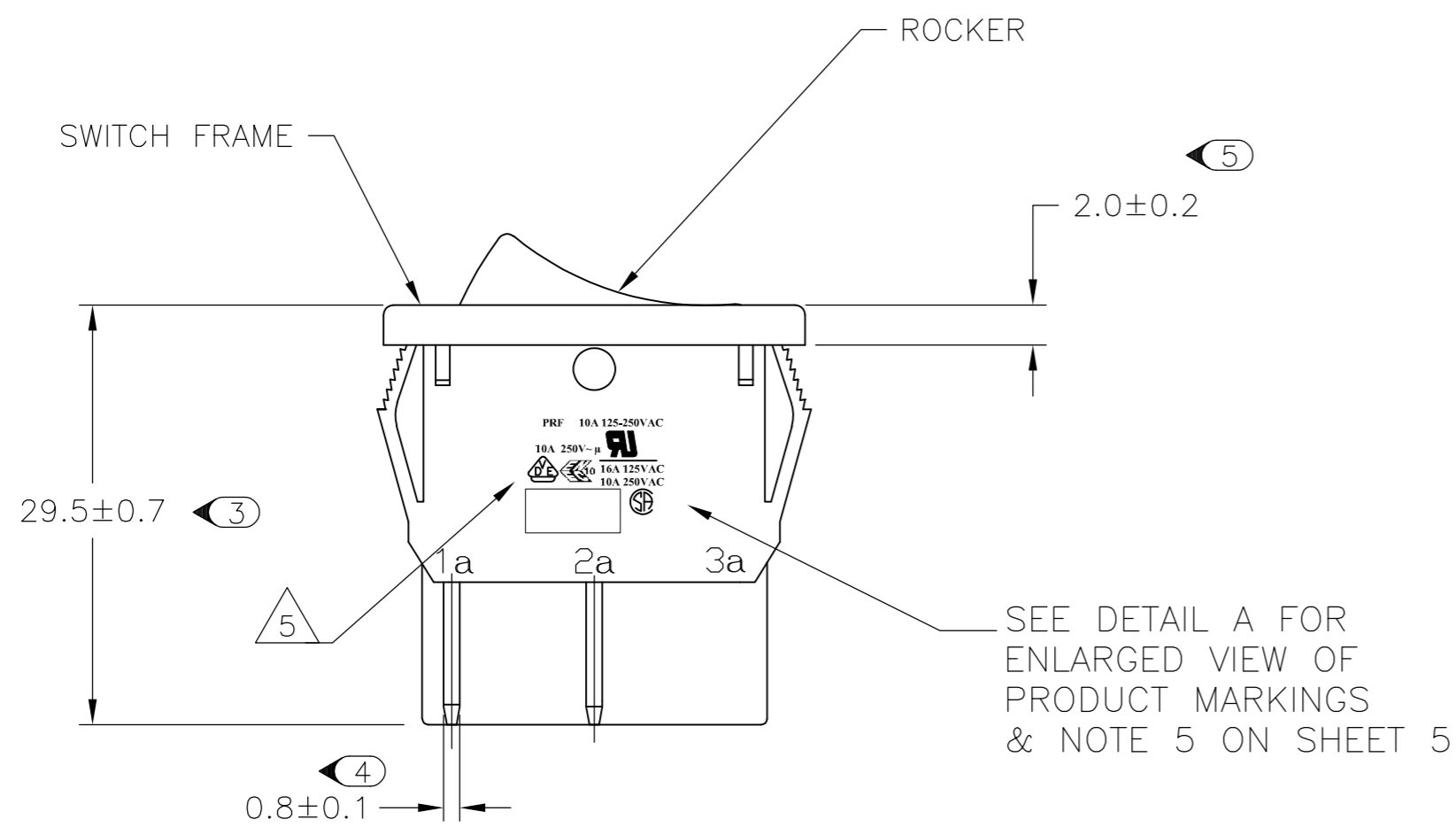
| LOC | | DIST | | REVISIONS | | | |
|-----|-----|---------------------------|---------|-----------|------|--|--|
| P | LTR | DESCRIPTION | DATE | DWN | APVD | | |
| D | | REVISED PER ECO-10-025607 | 21DEC10 | HMR | MW | | |



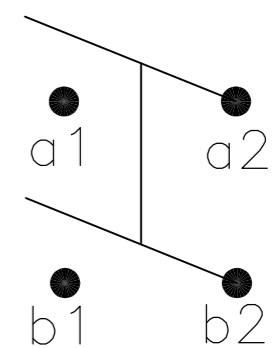
PANEL CUT OUT



| | | |
|-----------------|-------|-------|
| 2.00-3.00 | 30.20 | 22.20 |
| 1.25-2.00 | 30.20 | 22.20 |
| 0.75-1.25 | 30.20 | 22.20 |
| PANEL THICKNESS | X | Y |



CIRCUIT DIAGRAM



PRODUCT MARKING

DETAIL A

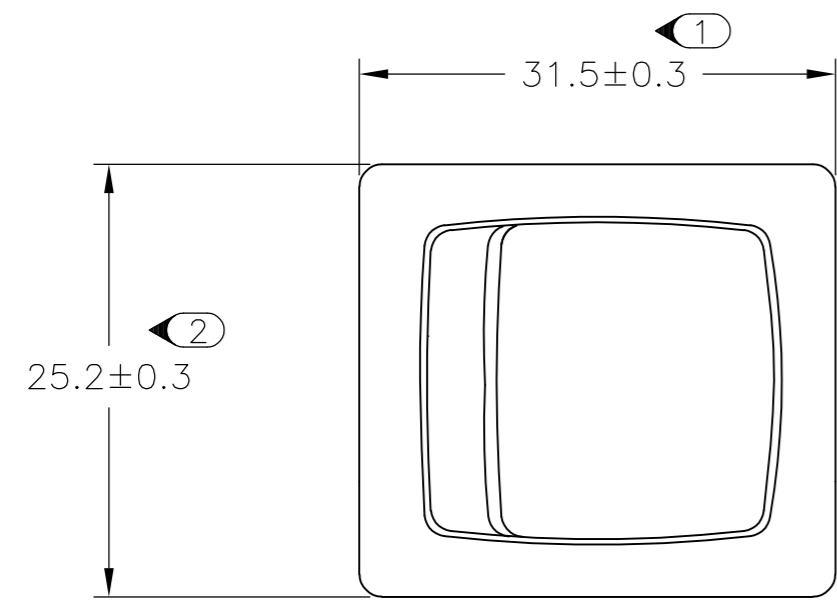
PRF 10A 125-250VAC
10A 250V~μ
16A 125VAC
10A 250VAC

TYCO ELECTRONICS LOGO PER TEC-202-36

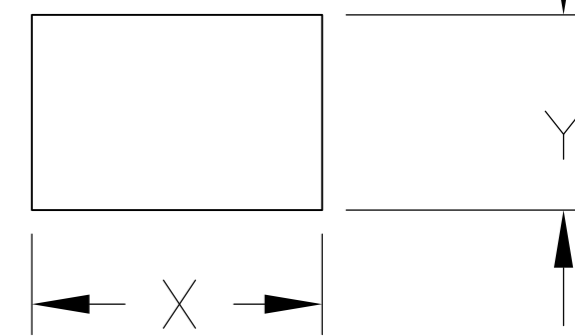
1634201-2 SHOWN ON-OFF

| | | | | |
|--|--|---------------------------------|--|-----------------|
| THIS DRAWING IS A CONTROLLED DOCUMENT. | | DWN S.SHACKSON 28JAN2003 | Tyco Electronics Corporation Harrisburg, PA 17057 | |
| DIMENSIONS: MM | | CHK H.KAUTZ 28JAN2003 | NAME POWER ROCKER SWITCH, 30.2mm X 22.2mm | |
| TOLERANCES UNLESS OTHERWISE SPECIFIED: | | APVD H.KAUTZ 28JAN2003 | PANEL CUT-OUT SIZE, DOUBLE POLE, SINGLE THROW, NON-ILLUMINATED | |
| 0 PLC ± - | | PRODUCT SPEC NOT APPLICABLE | SIZE A2 | CAGE CODE 00779 |
| 1 PLC ± 0.5 | | APPLICATION SPEC NOT APPLICABLE | DRAWING NO C=1634201 | RESTRICTED TO - |
| 2 PLC ± - | | WEIGHT - | SCALE 3:1 | SHEET 1 OF 5 |
| 3 PLC ± - | | CUSTOMER DRAWING | REV D | |
| 4 PLC ± - | | | | |
| 5 ANGLE ± - | | | | |
| FINISH | | | | |

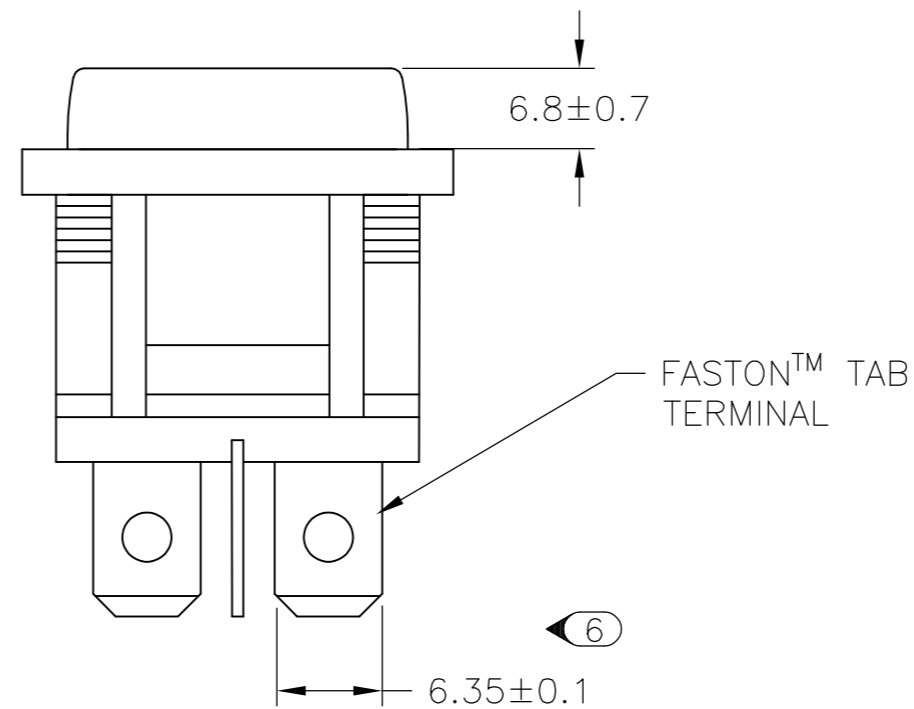
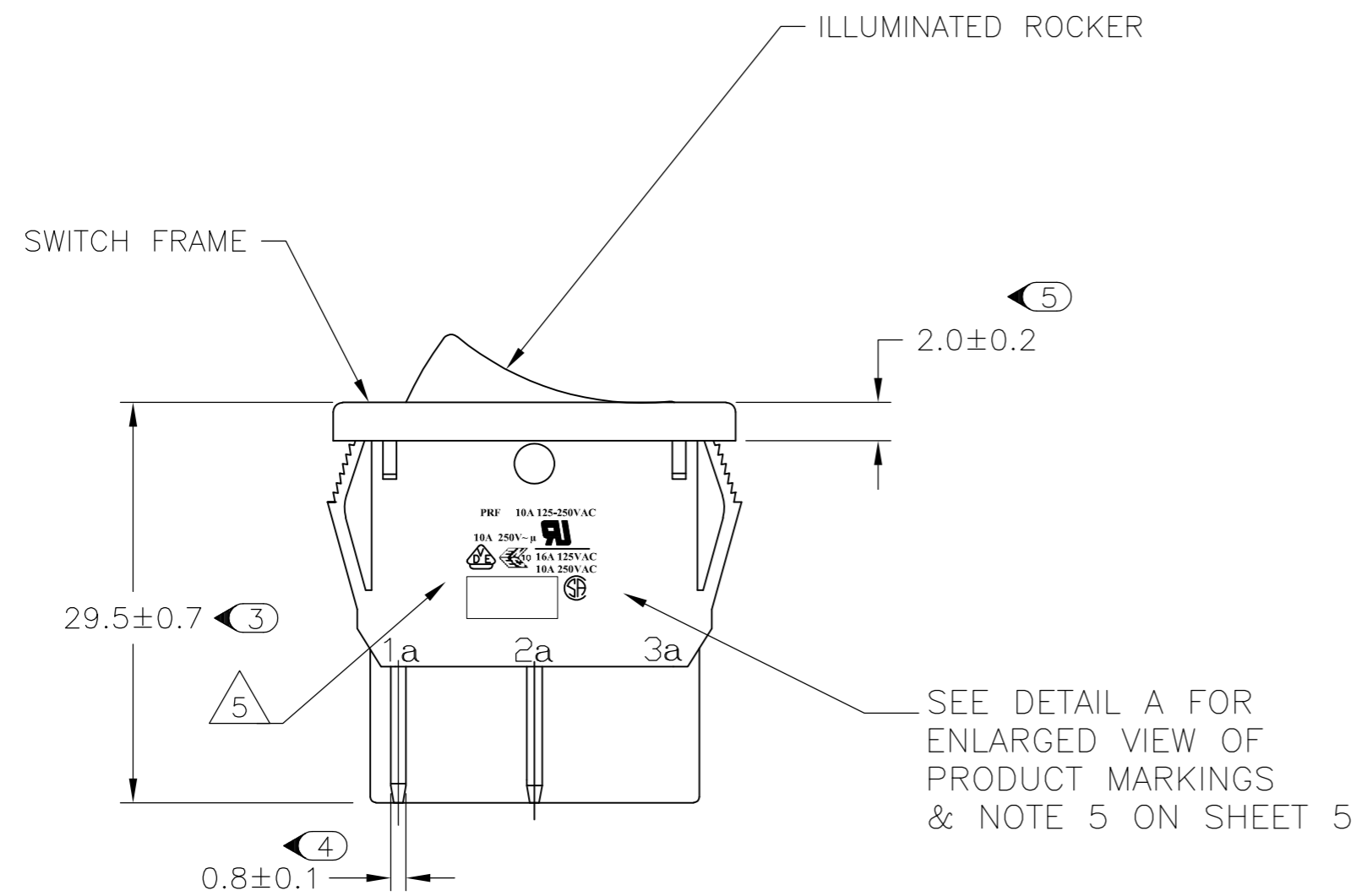
| LOC | DIST | REVISIONS | | | | | |
|-----|------|-----------|-----|-------------|------|-----|------|
| E | B | P | LTR | DESCRIPTION | DATE | DWN | APVD |
| | | - | | SEE SHEET 1 | | - | - |



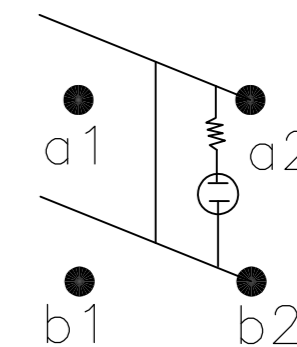
PANEL CUT OUT



| | | |
|-----------------|-------|-------|
| 2.00-3.00 | 30.20 | 22.20 |
| 1.25-2.00 | 30.20 | 22.20 |
| 0.75-1.25 | 30.20 | 22.20 |
| PANEL THICKNESS | X | Y |



CIRCUIT DIAGRAM



PRODUCT MARKING
DETAIL A

PRF 10A 125-250VAC



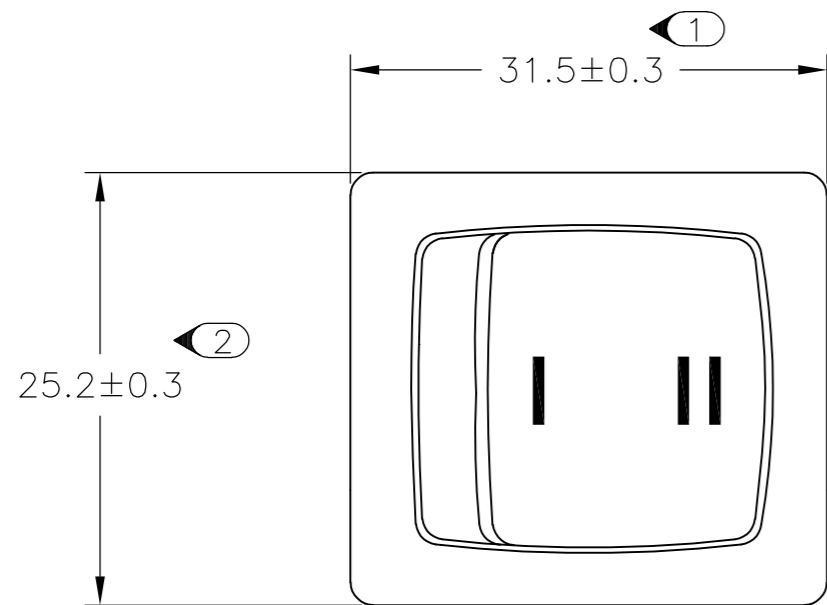
TYCO ELECTRONICS LOGO PER TEC-202-36

1634201-5 SHOWN ON-OFF GREEN ILLUMINATED

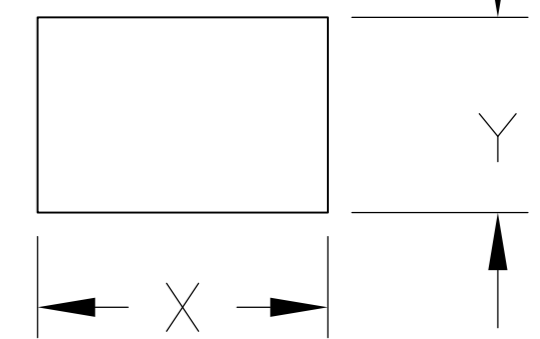
| THIS DRAWING IS A CONTROLLED DOCUMENT. | | DWN | 28JAN2003 | Tyco Electronics Corporation | |
|--|-------|------------------|-----------|--|---------------|
| DIMENSIONS: MM | | S.SHACKSON | | Harrisburg, PA 17057 | |
| TOLERANCES UNLESS OTHERWISE SPECIFIED: | | CHK | 28JAN2003 | NAME | |
| 0 PLC | ± - | H.KAUTZ | | POWER ROCKER SWITCH, 30.2mm X 22.2mm | |
| 1 PLC | ± 0.5 | APVD | 28JAN2003 | PANEL CUT-OUT SIZE, DOUBLE POLE, SINGLE THROW, NON-ILLUMINATED | |
| 2 PLC | ± | PRODUCT SPEC | | NOT APPLICABLE | |
| 3 PLC | ± - | APPLICATION SPEC | | NOT APPLICABLE | |
| 4 PLC | ± - | WEIGHT | | SIZE | RESTRICTED TO |
| ANGLES | ± - | | | A2 | - |
| FINISH | ± - | CUSTOMER DRAWING | | CAGE CODE | DRAWING NO |
| | | | | 00779 | C=1634201 |
| | | | | SCALE | SHEET |
| | | | | 3:1 | 2 OF 5 |
| | | | | REV | D |

THIS DRAWING IS UNPUBLISHED. RELEASED FOR PUBLICATION 30/OCT ,2003.
 © COPYRIGHT 2003 BY TYCO ELECTRONICS CORPORATION. ALL RIGHTS RESERVED.

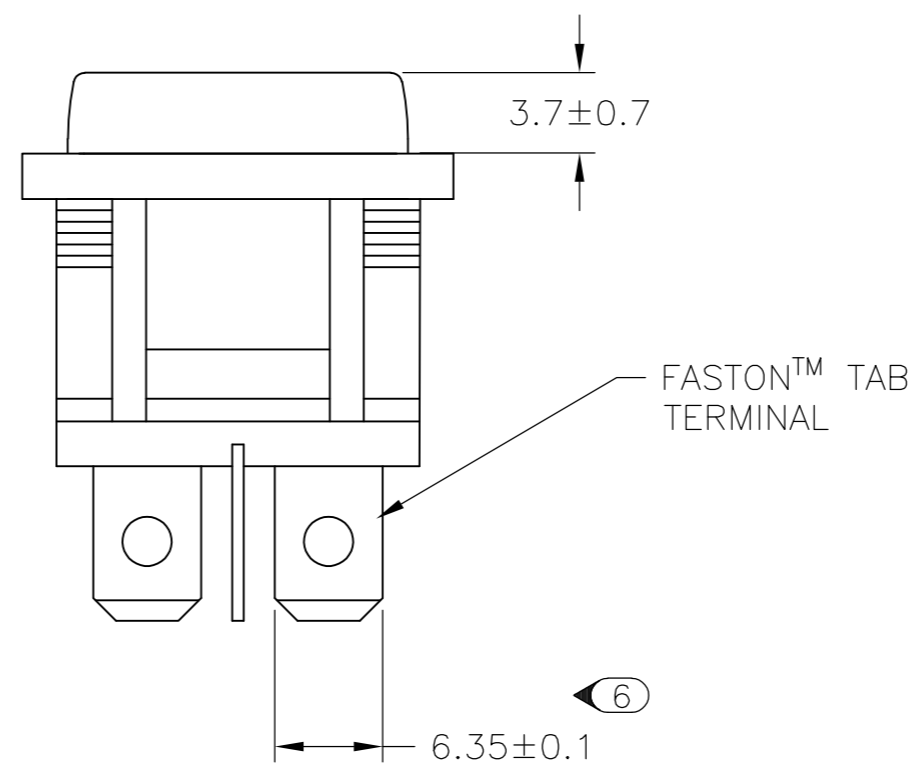
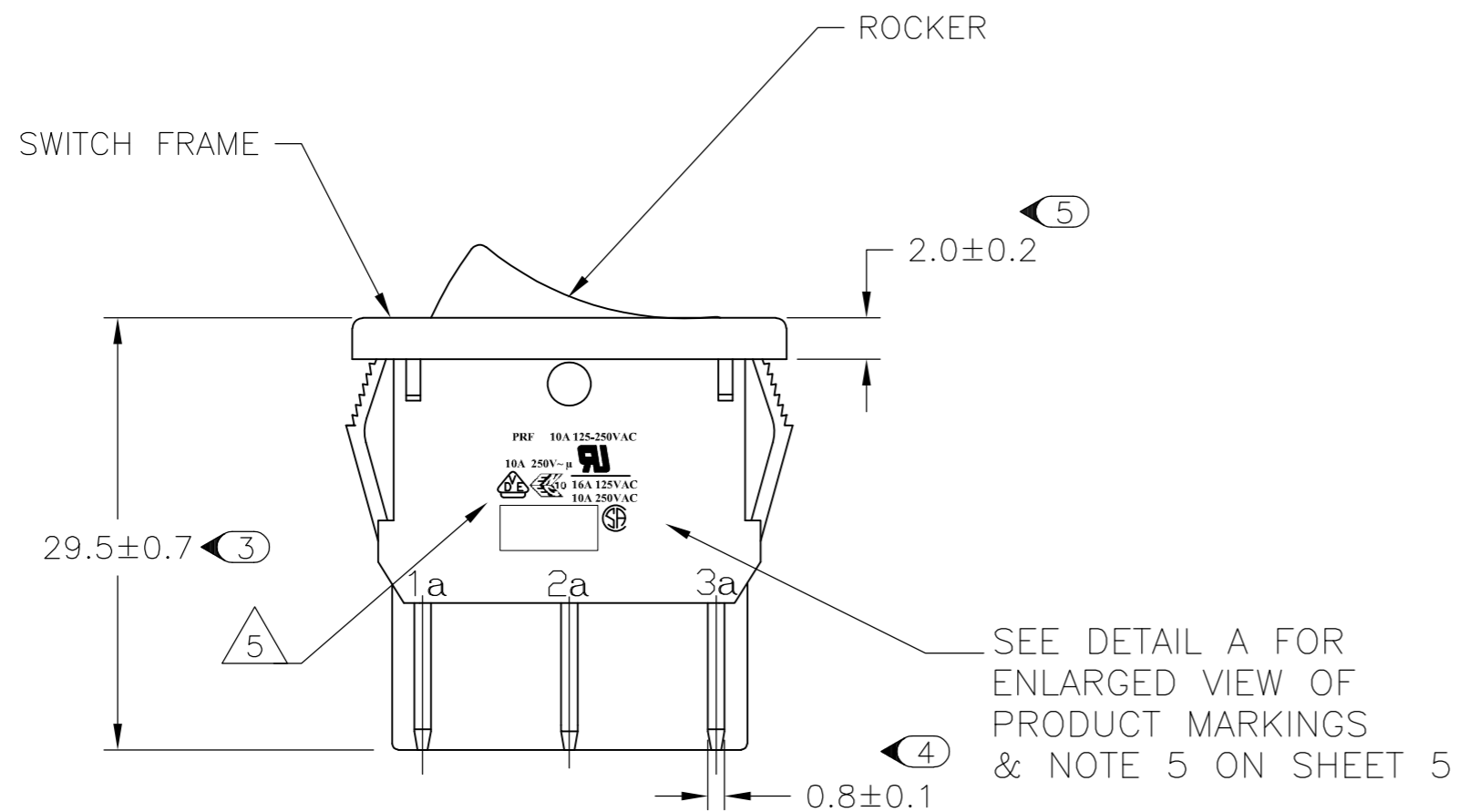
| LOC | DIST | REVISIONS | | | | | |
|-----|------|-----------|-----|-------------|------|-----|------|
| E | B | P | LTR | DESCRIPTION | DATE | DWN | APVD |
| | | - | | SEE SHEET 1 | | - | - |



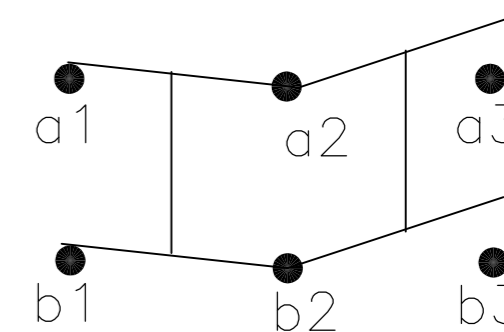
PANEL CUT OUT



| | | |
|-----------------|-------|-------|
| 2.00-3.00 | 30.20 | 22.20 |
| 1.25-2.00 | 30.20 | 22.20 |
| 0.75-1.25 | 30.20 | 22.20 |
| PANEL THICKNESS | X | Y |



CIRCUIT DIAGRAM



PRODUCT MARKING

DETAIL A

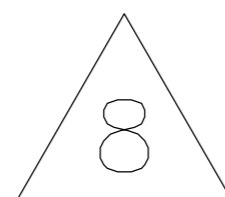
PRF 10A 125-250VAC

10A 250V~μ

16A 125VAC

10A 250VAC

TYCO ELECTRONICS LOGO PER TEC-202-36



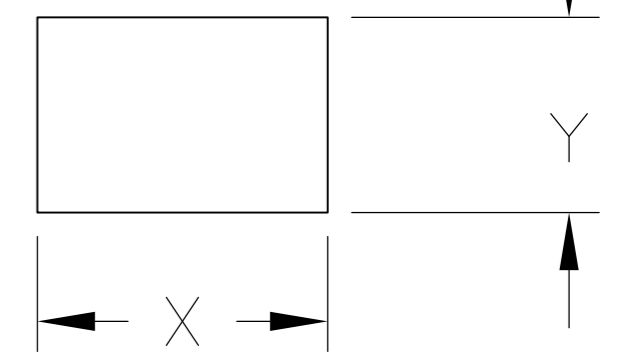
1634201-8 SHOWN ON-ON

| THIS DRAWING IS A CONTROLLED DOCUMENT. | | DWN | 28JAN2003 | Tyco Electronics Corporation Harrisburg, PA 17057 |
|---|--|------------------|----------------|--|
| DIMENSIONS: MM | | CHK | 28JAN2003 | |
| TOLERANCES UNLESS OTHERWISE SPECIFIED: | | APVD | 28JAN2003 | |
| 0 PLC ± - 1 PLC ± 0.5 2 PLC ± 3 PLC ± - 4 PLC ± - ANGLES ± - FINISH ± - | | PRODUCT SPEC | NOT APPLICABLE | RESTRICTED TO |
| MATERIAL | | APPLICATION SPEC | NOT APPLICABLE | SIZE |
| | | WEIGHT | - | CAGE CODE |
| | | CUSTOMER DRAWING | | A2 00779 |
| | | SCALE | 3:1 | DRAWING NO |
| | | SHEET | 3 OF 5 | REV |
| | | | | D |

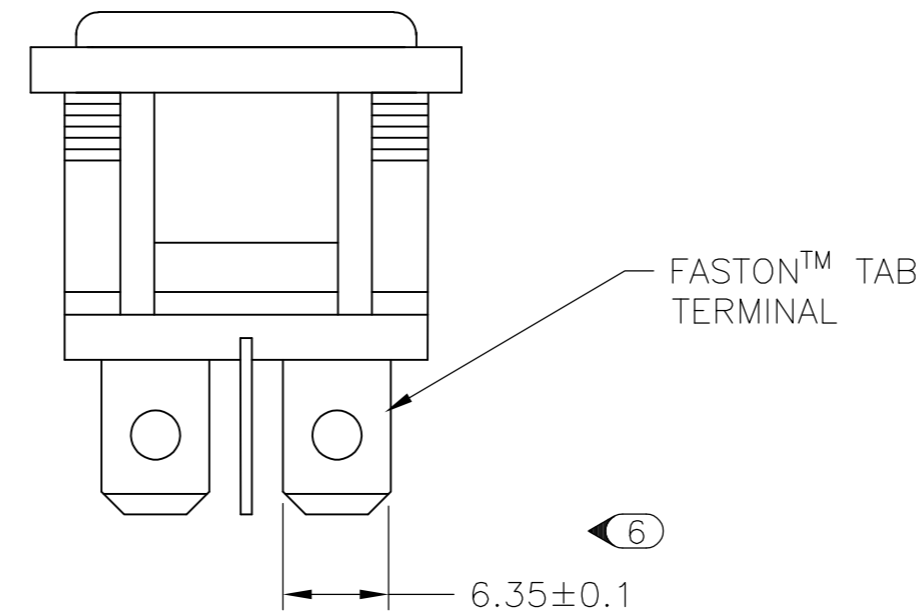
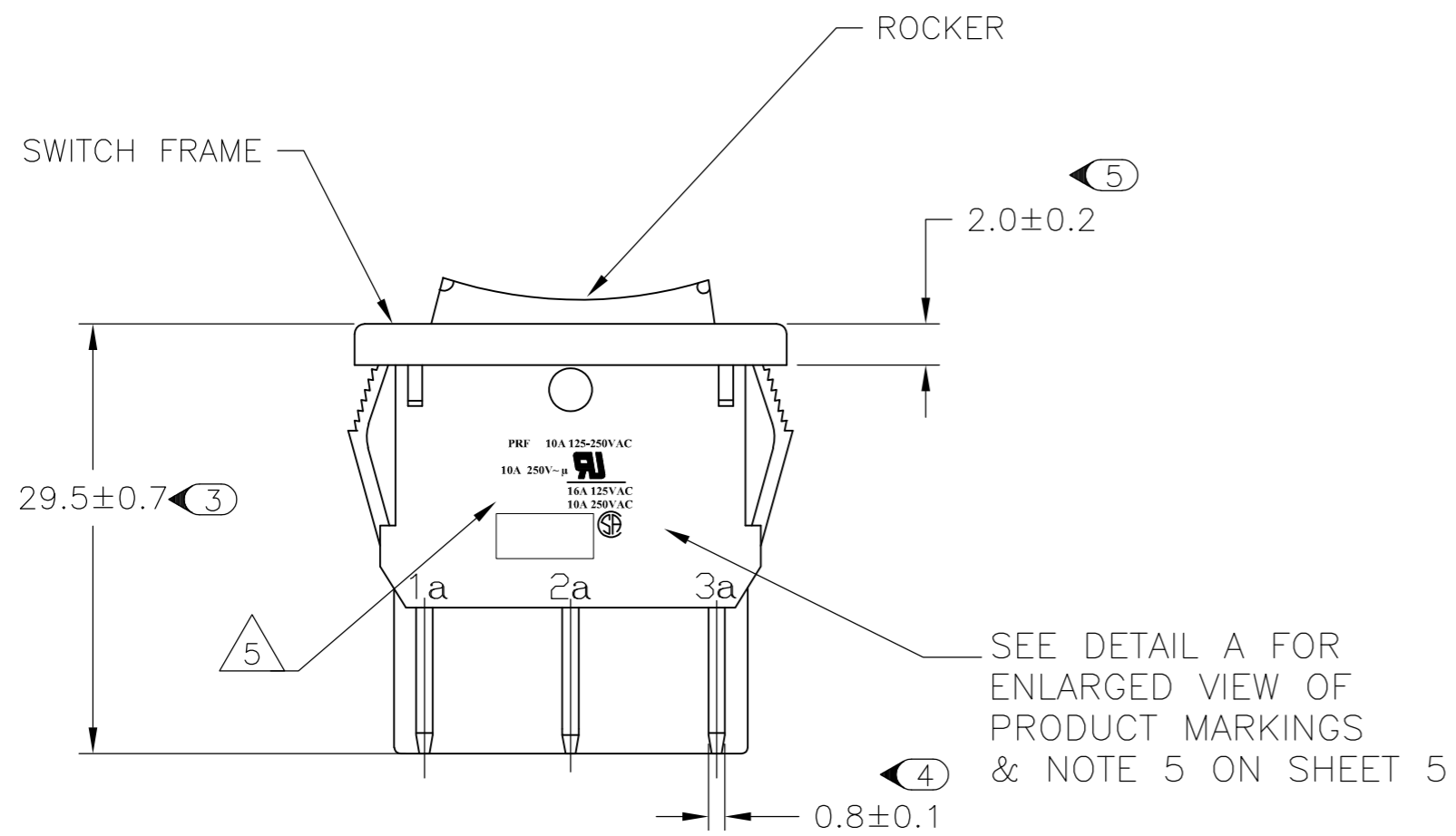
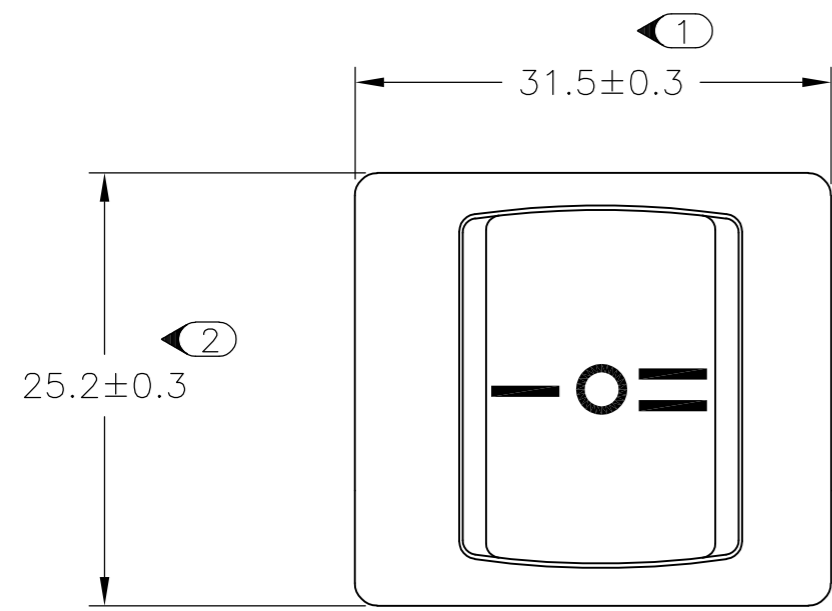
THIS DRAWING IS UNPUBLISHED. RELEASED FOR PUBLICATION 30/OCT ,2003.
 © COPYRIGHT 2003 BY TYCO ELECTRONICS CORPORATION. ALL RIGHTS RESERVED.

| LOC | DIST | REVISIONS | | | | | |
|-----|------|-----------|-----|-------------|------|-----|------|
| E | B | P | LTR | DESCRIPTION | DATE | DWN | APVD |
| | | - | | SEE SHEET 1 | | - | - |

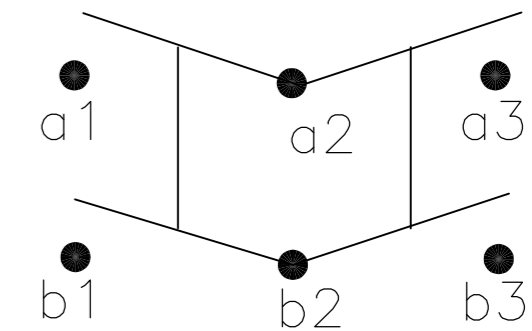
PANEL CUT OUT




| | | |
|-----------------|-------|-------|
| 2.00-3.00 | 30.20 | 22.20 |
| 1.25-2.00 | 30.20 | 22.20 |
| 0.75-1.25 | 30.20 | 22.20 |
| PANEL THICKNESS | X | Y |



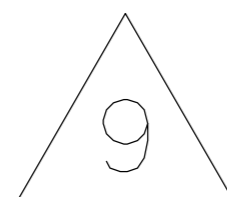
CIRCUIT DIAGRAM



PRODUCT MARKING
DETAIL A

PRF 10A 125-250VAC
10A 250V~μ 
16A 125VAC
10A 250VAC

TYCO ELECTRONICS LOGO
PER TEC-202-36



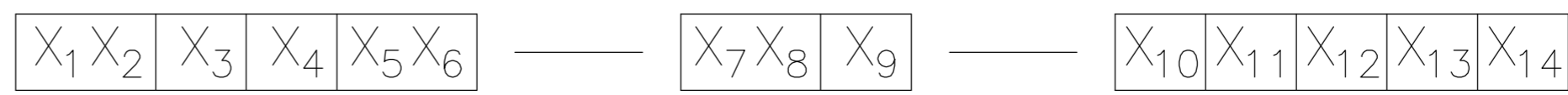
1-1634201-2 SHOWN ON-OFF-ON

| THIS DRAWING IS A CONTROLLED DOCUMENT. | | DWN | 28JAN2003 | Tyco Electronics Corporation Harrisburg, PA 17057 |
|--|--|------------------|----------------|---|
| DIMENSIONS: MM | | S.SHACKSON | 28JAN2003 | |
| TOLERANCES UNLESS OTHERWISE SPECIFIED: | | CHK | H.KAUTZ | NAME POWER ROCKER SWITCH, 30.2mm X 22.2mm PANEL CUT-OUT SIZE, DOUBLE POLE, SINGLE THROW, NON-ILLUMINATED |
| 0 PLC ± - | | APVD | H.KAUTZ | |
| 1 PLC ± 0.5 | | PRODUCT SPEC | NOT APPLICABLE | SIZE |
| 2 PLC ± - | | APPLICATION SPEC | NOT APPLICABLE | CAGE CODE |
| 3 PLC ± - | | WEIGHT | - | DRAWING NO |
| 4 PLC ± - | | FINISH | - | RESTRICTED TO |
| ANGLES ± - | | CUSTOMER DRAWING | | A2 00779 C=1634201 |
| SCALE | | 3:1 | SHEET | 4 OF 5 |
| REV | | D | | |

THIS DRAWING IS UNPUBLISHED. RELEASED FOR PUBLICATION 30/OCT ,2003.
 © COPYRIGHT 2003 BY TYCO ELECTRONICS CORPORATION. ALL RIGHTS RESERVED.

| LOC | DIST | REVISIONS | | | |
|-----|------|-------------|------|-----|------|
| P | LTR | DESCRIPTION | DATE | DWN | APVD |
| | | SEE SHEET 1 | | | |

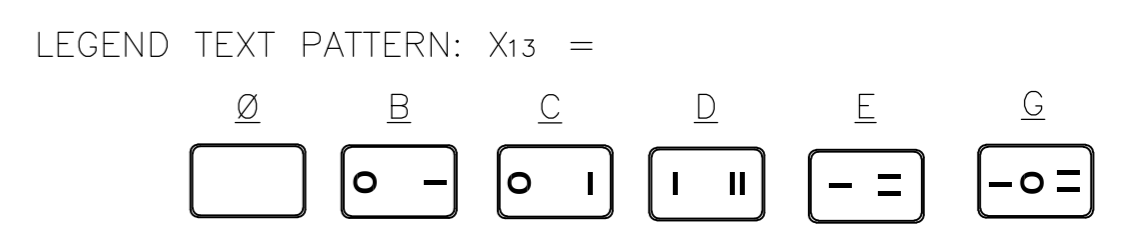
ALCOSWITCH PART NUMBER



- 1 MATERIALS:
HOUSING FRAME: NYLON 66.
ACTUATOR: NYLON 66/ PC(ILLUMINATED)
TERMINALS C1100R-1/2H WITH SILVER PLATED CONTACTS AgALLOY
- 2 FINISH:
TERMINAL, ACTIVE CONTACTOR: 1.0µm [.000039] SILVER
PLUNGER: 3.0mm[.000118] NICKEL
- 3 ELECTRICAL SPECIFICATIONS:
CONTACT RESISTANCE : 50m ohm Max
DIELECTRIC STRENGTH : AC 1500V, 1 MINUTE
OPERATION TEMPERATURE: -20°C~85°C
INSULATION R: DC 500V 100M ohm MIN
- 4 CURRENT AND VOLTAGE 16A@125VAC/10A@250VAC
- 5 ELECTRICAL RATINGS, APPROVED AGENCY LOGOS,
TE LOGO PER TEC-202-36 APPROXIMATELY AS SHOWN
AND PART NUMBER CAN APPEAR ON EITHER SIDE
(FOR FULL DETAIL SEE INDIVIDUAL DRAWING)
- 6 ON-OFF, WITH OPAQUE, SINGLE-COLOR ROCKER BUTTON.
- 7 ON-OFF, WITH TRANSPARENT, LAMP-ILLUMINATED ROCKER BUTTON.
- 8 ON-ON, WITH OPAQUE, SINGLE-COLOR ROCKER BUTTON.
- 9 ON-OFF-ON, WITH OPAQUE, SINGLE-COLOR ROCKER BUTTON.
- 10 PACKAGING TO CONFORM WITH TYCO SPEC. 107-115
- 11 REFER TO QIP DIMENSIONAL REPORT
- 12 COMPONENT RECOGNIZED TO EUROPEAN STANDARDS (ENEC, PENDING VDE).
MARKS LICENSE No. 40006757

SWITCH TYPE: X1X2 = PR - POWER ROCKER
 NOMINAL PANEL CUT OUT SIZE: X3 = F - 30.2X22.2 [.1.189x.874]
 NUMBER OF POLES: X4 = D - DOUBLE
 SWITCH FUNCTION: X5X6 = A1 -
 B1 -
 D1 -
 D3 -
 CURRENT RATING: X7X8 = 16 -
 TERMINAL TYPE: X9 = F - FASTON™ TAB
 FRAME COLOR: X10 = B - BLACK
 W - WHITE
 ROCKER COLOR: X11 = B - BLACK
 G - GREEN
 R - RED
 Y - YELLOW

SECONDARY ROCKER COLOR: X12 = Ø - NOT APPLICABLE
B - BLACK
G - GREEN
R - RED
W - WHITE



LEGEND TEXT COLOR: X14 = Ø - NOT APPLICABLE
G - GREEN
R - RED
B - BLACK
W - WHITE

| 1 | PRFDA 1-16F-BB000 | 0-1634201-1 |
|-----------|--------------------------|-----------------|
| 1 | PRFDA 1-16F-BB0BW | 0-1634201-2 |
| 1 | PRFDA 1-16F-BB0CW | 0-1634201-3 |
| 2 | PRFDB 1-16F-BR000 | 0-1634201-4 |
| 2 | PRFDB 1-16F-BG000 | 0-1634201-5 |
| 2 | PRFDB 1-16F-BY000 | 0-1634201-6 |
| 3 | PRFDD 1-16F-BB000 | 0-1634201-7 |
| 3 | PRFDD 1-16F-BB0DW | 0-1634201-8 |
| 3 | PRFDD 1-16F-BB0EW | 0-1634201-9 |
| 4 | PRFDD 3-16F-BB000 | 1-1634201-0 |
| 4 | PRFDD 3-16F-BB0EW | 1-1634201-1 |
| 4 | PRFDD 3-16F-BB0GW | 1-1634201-2 |
| SHEET REF | ALCO SWITCH PART NUMBER. | TE PART NUMBER. |

| | | | | |
|--|-------------|---------------------------------|--|---|
| THIS DRAWING IS A CONTROLLED DOCUMENT. | | DWN S.SHACKSON 28JAN2003 | Tyco Electronics Corporation Harrisburg, PA 17057 | |
| DIMENSIONS: MM | | CHK H.KAUTZ 28JAN2003 | NAME POWER ROCKER SWITCH, 30.2mm X 22.2mm PANEL CUT-OUT SIZE, DOUBLE POLE, SINGLE THROW, NON-ILLUMINATED | |
| TOLERANCES UNLESS OTHERWISE SPECIFIED: | | APVD H.KAUTZ 28JAN2003 | SIZE CAGE CODE DRAWING NO RESTRICTED TO | |
| 0 PLC ± - | 1 PLC ± 0.5 | PRODUCT SPEC NOT APPLICABLE | A2 00779 C=1634201 | - |
| 2 PLC ± - | 3 PLC ± - | APPLICATION SPEC NOT APPLICABLE | SCALE 3:1 SHEET 5 OF 5 REV D | |
| 4 PLC ± - | ANGLES ± - | WEIGHT - | CUSTOMER DRAWING | |

X-ON Electronics

Largest Supplier of Electrical and Electronic Components

Click to view similar products for [Rocker Switches](#) category:

Click to view products by [TE Connectivity](#) manufacturer:

Other Similar products are found below :

[VKD2GHNB-00000-000](#) [VSD2GNNB-00000-000](#) [6-1571986-5](#) [6-1571986-9](#) [7036WWCDBX653+U622](#) [8055K52Z7V](#) [8138K20E6M50](#)
[FMC18A2200002](#) [84206L](#) [84312LX](#) [PREDD4-07F-BB0FW](#) [PREDD5-07F-BB0GW](#) [PRFDD1-16F-BB000](#) [PRFDD3-16F-BB000](#) [1-](#)
[1634201-0](#) [999-16702-001](#) [A101J2ZQ004](#) [A101J4ZQ004](#) [A101J51CB0004](#) [A107J51ZQ0004](#) [A201J1AQ004](#) [A201J1AV2Q004](#)
[A201J3ZB004](#) [A201J50ZQ004](#) [A203J51ZQ0004](#) [A226L11YZQ](#) [A22L11A](#) [A435S1YZQ](#) [H8500XBBBBL-A](#) [H8653VBBG2577W](#)
[HB130CHNWWNAAC](#) [1251.0303](#) [AE205J60V3B004](#) [RH110C2NBB](#) [1352.0107](#) [1363.0201](#) [AML25GBF2AA03GR](#) [1571099-3](#) [1571987-4](#)
[1571987-5](#) [1571989-7](#) [B123J77V7B2](#) [B226J50W4Q22P](#) [B433J37ZQ22M](#) [160212E](#) [1801.1164](#) [1831.1102](#) [1833.3402](#) [1837.1118](#) [1838.8302](#)