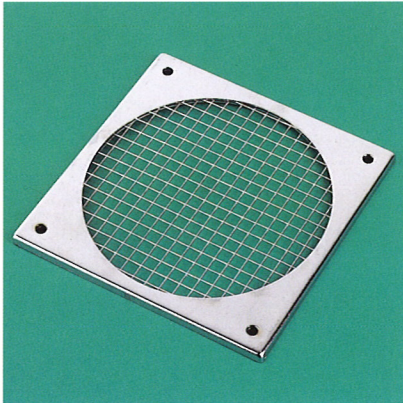


EMC Screens



Description

These EMC screens are approved to MIL STD 285.1956 (modified) and combine RFI screening with mechanical finger guard protection.

They are all designed to fit directly over the fan without any noticeable reduction in airflow or increase in fan noise.

The design features a welded mesh construction of thin nickel plated steel wire, which results in an overall screening effectiveness with only a 1% reduction in airflow, while meeting the required standard safety regulations.

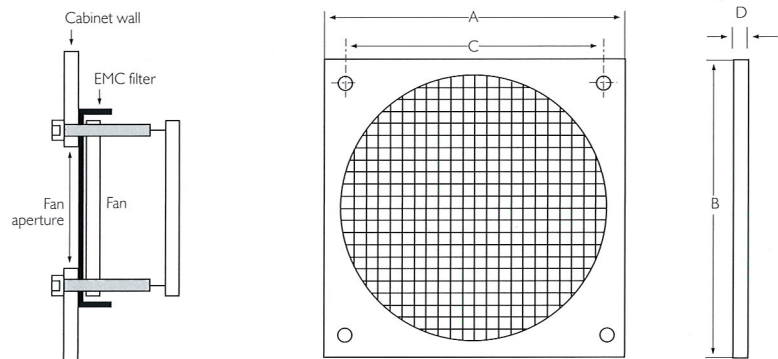
Features

- One piece steel construction
- Welded mesh for high screening properties
- Minimal obstruction to airflow
- Negligible increase in fan noise
- Utilise existing hole fixing positions
- Tested to MIL STD 285. 1956 (modified)
- Versions to fit standard fan sizes.

Ordering Information

Part No	Fan size	A	B	C	D
PRF60	60mm ²	65	65	50	5
PRF80	80mm ²	85	85	71.5	5
PRF90	92mm ²	95	95	82.5	5
PRF120	119mm ²	124	124	104.8	5

Mounting Method



All measurements in mm.

X-ON Electronics

Largest Supplier of Electrical and Electronic Components

Click to view similar products for [Fan Accessories](#) category:

Click to view products by [ebm papst](#) manufacturer:

Other Similar products are found below :

[LZ31](#) [LZ32P-1](#) [63070-2-4013](#) [71882-2-4053](#) [73770-2-3634](#) [73806-2-3634](#) [73816-2-3634](#) [854589-1](#) [99485901](#) [99485904](#) [1-21002-3](#) [1247-4-6254](#) [RF119](#) [1434-4-6711-80](#) [1434-4-6711-1](#) [169-002](#) [KM36](#) [27453.32193](#) [27453.32262](#) [99485906](#) [99485912](#) [F92-B](#) [FG92-W2](#) [FK120-30](#) [FK40-30](#) [FK80-45](#) [27453.32241](#) [27453.32298](#) [R88ACPU001M1](#) [R88ACPU001M2](#) [LZ215](#) [LZ22-2](#) [LZ24B](#) [LZ37-2](#) [525-00-0009](#) [KM38](#) [420-05-0276](#) [50824-4-1040](#) [04.846.1353.0](#) [04.846.1453.0](#) [055032](#) [07100-40](#) [07190-50](#) [08195](#) [08245](#) [09325-M/60](#) [09494-2-4039](#) [09576-2-4013](#) [109-1102](#) [109-019H](#)