

10 9 8 7 6 5 4 3 2 1

F

E

D

C

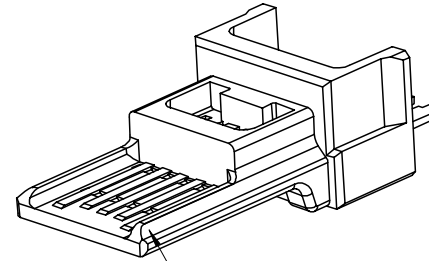
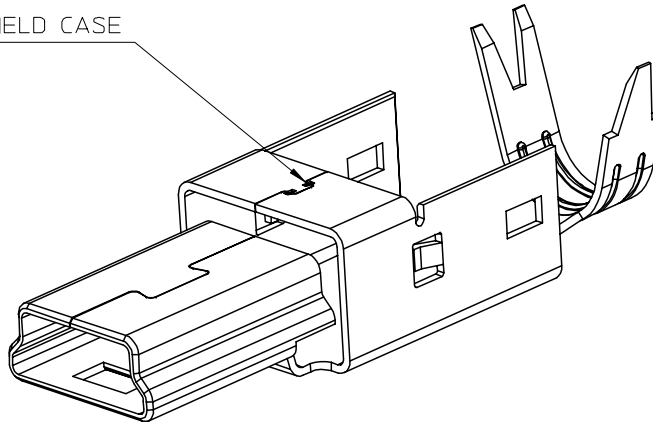
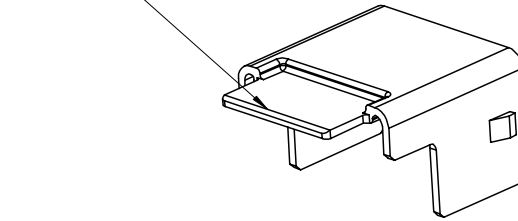
B

A

COVER SHIELD

SHIELD CASE

HOUSING & TERMINAL  
SUB-ASSEMBLY



NOTES:

1. MATERIAL:

HOUSING: THERMOPLASTIC POLYESTER, GLASS FILLED, UL94V-0, BLACK.  
 TERMINAL: COPPER ALLOY, THICKNESS=0.25mm.  
 SHIELD CASE: STEEL, THICKNESS=0.3mm.  
 COVER SHIELD: STAINLESS STEEL, THICKNESS=0.3mm.

2. PLATING:

TERMINAL:  
 CONTACT: GOLD, 0.76 MICROMETER MINIMUM.  
 SOLDER TAIL: PURE TIN, 3.8 MICROMETER MINIMUM.  
 UNDER-PLATING: NICKEL, 1.25 MICROMETER MINIMUM.  
 SHIELD CASE:  
 UNDERPLATING: COPPER, 5.0 MICROMETER MINIMUM.  
 NICKEL, 5.0 MICROMETER MINIMUM.  
 COVER SHIELD: NONE.

3. THIS PART IS ONLY FOR MINI-USB PLUG KIT.

4. THESE THREE COMPONENTS SHOULD BE PACKAGED SEPARATELY.

PART NO. OF KIT (47014-0008)		
DESCRIPTION	PART NO.	DRAWING NO.
COVER SHIELD	67546-0000	SD-67546-001
SHIELD CASE	67545-0000	SD-67545-001
HOUSING&TERMINAL SUB-ASSEMBLY	67542-0008	SD-67542-002



REVISED	DESCRIPTION
EC NO: SH2006-0858	2006/07/04
DRWN:KWEI	2006/07/04
CHKD: IVANOV WANG	2006/07/04
APPR: JNCHEN	2006/07/12
B	REV

QUALITY SYMBOLS	▽=0
	▽C=0

GENERAL TOLERANCES (UNLESS SPECIFIED)	
mm	INCH
4 PLACES ± ---	± ---
3 PLACES ± ---	± ---
2 PLACES ± 0.15	± ---
1 PLACE ± 0.2	± ---
ANGULAR ± 2 °	
DRAFT WHERE APPLICABLE MUST REMAIN WITHIN DIMENSIONS	

DIMENSION STYLE	
MM ONLY	
DRAWN BY	DATE
OLZHANG	2005/03/30
CHECKED BY	DATE
HARVEY	2005/03/30
APPROVED BY	DATE
YTYAP	2005/03/30
MATERIAL NO.	
SEE CHART	
SIZE	A3

SCALE	DESIGN UNITS	THIRD ANGLE PROJECTION	
1:1	METRIC		
TITLE			
PLUG KIT FOR MINI USB TYPE B (LEAD-FREE)			
MOLEX INCORPORATED		SHEET NO.	
DOCUMENT NO.		1 OF 1	
SD-47014-002			
THIS DRAWING CONTAINS INFORMATION THAT IS PROPRIETARY TO MOLEX INCORPORATED AND SHOULD NOT BE USED WITHOUT WRITTEN PERMISSION			

9 8 7 6 5 4 3 2 1

## X-ON Electronics

Largest Supplier of Electrical and Electronic Components

*Click to view similar products for [I/O Connectors](#) category:*

*Click to view products by [Molex](#) manufacturer:*

Other Similar products are found below :

[571763P](#) [58098-0628](#) [61-168618-12P](#) [D38999/20FJ24PA L/C](#) [D38999/20FJ29SB L/C](#) [D38999/24FG11SN L/C](#) [72.250.1628.2](#) [72.250.2428.2](#)  
[74720-0505](#) [76.350.0729.0](#) [76871-1403](#) [FCN-244F080-G/1](#) [FCN-260A9920](#) [FCN-268D024-G/2F#10X-R10](#) [MP-5T180MUNNA-005](#) [MP-5XRJ45UNNB-003](#) [PCS-E50FA](#) [PCS-XE26LKA](#) [PCS-XE26MA+](#) [PCS-XES68MS+](#) [G38A71314B](#) [91-569719-35R](#) [9776-18-6](#) [DX40-50P\(55\)](#) [1571250010](#) [157-22500-3](#) [MS3476W12-10S L/C](#) [1888020-8](#) [91-569786-35H](#) [91-569786-35M](#) [91-644626-35P](#) [172501-4002](#)  
[172501-6002](#) [FCN-260C008-A/L0](#) [FCN-260C024-AL0](#) [FCN-261Z008](#) [FCN-268D008-G/1K](#) [2000314-1](#) [200331-1](#) [2007498-2](#) [PCR-E28LMDAG1+](#) [PCR-E36FC+](#) [PCS-E28FS+](#) [PCS-XE26SLFD+](#) [PCS-XE26SLFDT+](#) [G38A71214B](#) [HDRA-E68W1LFDTC-SL+](#) [HDR-E14MSG1+](#) [R88A-CNK81S](#) [CRT1-ATT02](#)