

PHYSICAL DIMENSIONS:

A	7.50	[.295]	+	MAX.
A ₁	9.00	[.354]	-	0.40 [.016]
B	5.50	[.217]	+	MAX.
C	3.80	[.150]	+	MAX.
C ₁	4.90	[.193]	+	MAX.
D	2.54	[.100]	-	0.10 [.004]
T ₁	1.75	[.069]	+	TYP.
T ₂	0.50	[.020]	-	0.10 [.004]
T ₃	0.30	[.012]	-	0.10 [.004]

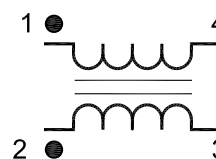
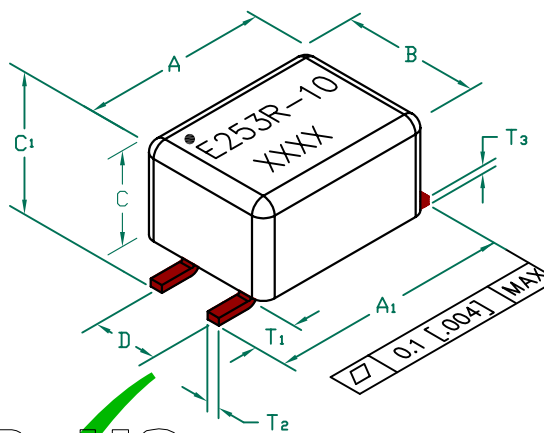
WEIGHT/1000 0.28 kgs [.62 Lbs]

CM2824E182R-10

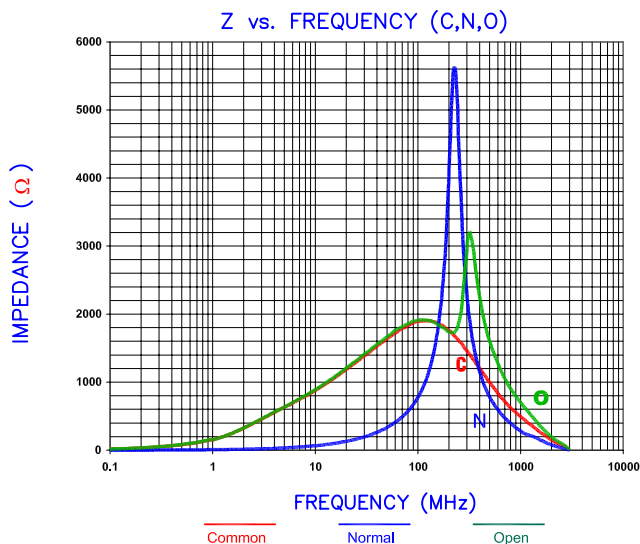
UNCONTROLLED DOCUMENT

ELECTRICAL SPECIFICATION @ 25°C
OPERATING TEMPERATURE RANGE: -40°C TO +125°C

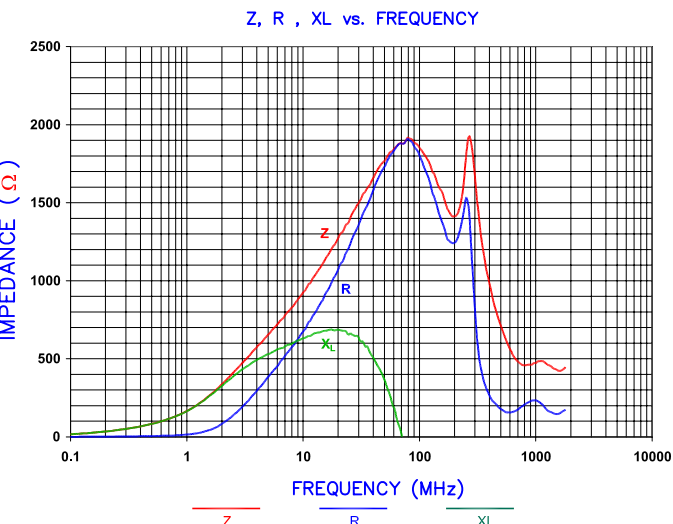
PARAMETER SYMBOL	REQUIREMENTS		
	MIN	TYP	MAX
Z SPEC Ω @ 100 MHz	1,350	1,800	-
DCR(Ω)			0.26
I (mA)			800



- NOTES: UNLESS OTHERWISE SPECIFIED
1. TAPED AND REELED ON 13" REELS, 1500 PCS/REEL.
 2. OPEN BOTTOM CONSTRUCTION.
 3. COMPONENTS SHOULD BE ADEQUATELY PREHEATED BEFORE SOLDERING.

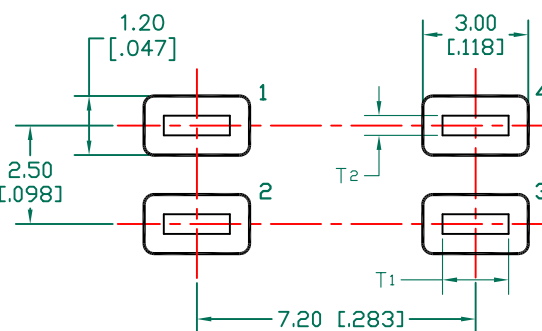


FREQUENCY (MHz)
Common Normal Open

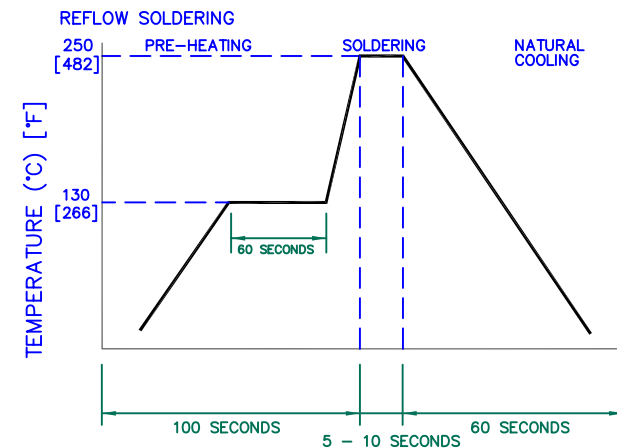


FREQUENCY (MHz)
Z R XL

LAND PATTERNS FOR REFLOW SOLDERING



RECOMMENDED SOLDERING CONDITIONS



DIMENSIONS ARE IN mm [INCHES].

This print is the property of Laird Tech. and is loaned in confidence subject to return upon request and with the understanding that no copies shall be made without the written consent of Laird Tech. All rights to design or invention are reserved.



PROJECT/PART NUMBER:				REV	PART TYPE:	DRAWN BY:
CM2824E182R-10				D	COMMON MODE CHOKE	JRK
D	REMOVE IMPEDANCE UPPER SPEC	01/29/10	JUN	DATE:	05/16/06	SCALE: NTS
C	UPDATE COMPANY LOGO	05/01/09	JRK	CAD #		TOOL #
B	UPDATE COMPANY LOGO	11/20/07	JRK			
A	ORIGINAL DRAFT	05/16/06	JRK			
REV	DESCRIPTION	DATE	INT			

X-ON Electronics

Largest Supplier of Electrical and Electronic Components

Click to view similar products for [EMI Filters](#) / [EMI Suppression](#) category:

Click to view products by [Laird Connectivity](#) manufacturer:

Other Similar products are found below :

[CX0805MRX7R7BB473](#) [CZB1EGTTP700P](#) [CZB1JGTTD101P](#) [CZB1JGTTD151P](#) [CZB1JGTTD152P](#) [CZB1JGTTD601P](#)
[CZB2AFTTD800P](#) [CZB2AGTTD121P](#) [CZB2AGTTD601P](#) [CZB2BFTTE600P](#) [PE-0402FB121ST](#) [EMI0805R-11](#) [BMB1J1000LN2](#)
[BMB2A0430RS2](#) [BMB2A0470LN2](#) [ILAS1206ER102V](#) [SMB2.5-1TR](#) [CZB1EGTTP121P](#) [CZB1JGTTD102P](#) [CZB1JGTTD121P](#)
[CZB1JGTTD221P](#) [CZB2AGTTD301P](#) [CZB2BFTTE301P](#) [CZB2BFTTE601P](#) [4221R-1](#) [432703069121](#) [432703069351](#) [ILAS1206ER121V](#)
[4221R-2](#) [4221R-3](#) [4221R-4](#) [432703041941](#) [432703041971](#) [432703069131](#) [EMI0805R-120](#) [EMI0805R-2000](#) [EMI0805R-600](#) [NCB-](#)
[GH0402D121TR060F](#) [NCB-H1812D125TR150F](#) [CZB2AGTTD102P](#) [BMB2A0150AN1](#) [NCB0402P301TR005F](#) [NCB0805A121TR050F](#)
[NCB-H0805A102TR150F](#) [NCB0402P300TR030F](#) [NCB0402P601TR030F](#) [NCB-H0603R121TR300F](#) [NCB-H0805A220TR600F](#)
[432703069091](#) [CX0805MRX7R8BB223](#)