

Double Row Terminal Blocks

Kulka® 410 GP Series

300 Volts*



Specifications:

- Base, Phenolic, 150°C
- Open Back Design (Insulator Strip Required for Voltage Rating)
- JJ (GDI-30F) Material Available
- Screws, #2-56 X 7/32 Binder Head, Phil-Slot, Brass
- Terminals, Plated Brass
- 1-23 Poles
- 1/4" Centers
- Wire Range With Wire Binding Screw #18-#20 AWG – 5 Amps
- The Suitability Of These Devices For Greater Currents Shall Be Determined In The End-Use Application
- UL Recognized File No. XCFR2.E47811
- CSA Certified File No. LR19766
- CE

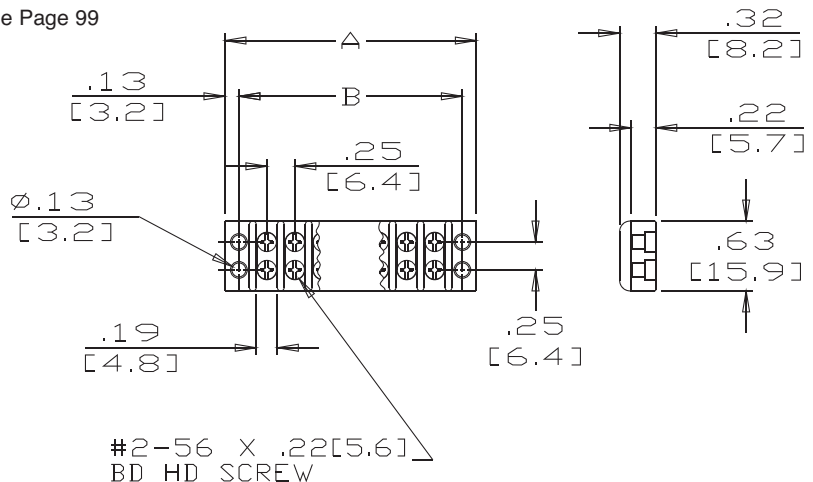
Catalog #	# of poles	Dimensions	
		A	B
410 GP 01 PSB	1	0.75	0.50
410 GP 02 PSB	2	1.00	0.75
410 GP 03 PSB	3	1.25	1.00
410 GP 04 PSB	4	1.50	1.25
410 GP 05 PSB	5	1.75	1.50
410 GP 06 PSB	6	2.00	1.75
410 GP 07 PSB	7	2.25	2.00
410 GP 08 PSB	8	2.50	2.25
410 GP 09 PSB	9	2.75	2.50
410 GP 10 PSB	10	3.00	2.75
410 GP 11 PSB	11	3.25	3.00
410 GP 12 PSB	12	3.50	3.25

Catalog #	# of poles	Dimensions	
		A	B
410 GP 13 PSB	13	3.75	3.50
410 GP 14 PSB	14	4.00	3.75
410 GP 15 PSB	15	4.25	4.00
410 GP 16 PSB	16	4.50	4.25
410 GP 17 PSB	17	4.75	4.50
410 GP 18 PSB	18	5.00	4.75
410 GP 19 PSB	19	5.25	5.00
410 GP 20 PSB	20	5.50	5.25
410 GP 21 PSB	21	5.75	5.50
410 GP 22 PSB	22	6.00	5.75
410 GP 23 PSB	23	6.25	6.00

* Voltage Based on Class B Requirements
MM = Dim X 25.4

Hardware Options: (Hardware options may affect ratings - consult factory)

- J 410 = Line To Line Jumper See Page 99
 Y = Feed Thru Solder (.312)
 1921 = Printed Circuit Pin (.109)



X-ON Electronics

Largest Supplier of Electrical and Electronic Components

Click to view similar products for [Marathon manufacturer](#):

Other Similar products are found below :

[104](#) [600AGP04PSB](#) [599GP200402PSB](#) [670A GP 03](#) [601RJ 06](#) [985GP02](#) [599-GP-2004-10](#) [600-2004-3-SP](#) [600-GP-20](#) [600TS-10](#) [601-GP-2102-02](#) [601-GP-3/4ST-12](#) [601-GPYSY-03](#) [602-GPYSY-22](#) [603-2302-04](#) [603-JJ-04](#) [603-JJ-07](#) [604-JJ-06](#) [605-GP-03SLB](#) [605-JJ-02](#) [651-XPR-13](#) [670-3/4ST-9](#) [670A-GP-3000-18](#) [670A-GP-3000-25](#) [670A-GP-3000-27](#) [670A-GP-3/4ST-10](#) [CW205-01C](#) [671-RZ-25](#) [672-GPY-05](#) [699-GP-2102-08](#) [6F30A3S](#) [6H38-TSKK-C](#) [6R30A3SP](#) [F600A1B](#) [F600A3B](#) [F60A1B](#) [799-6-KT28](#) [799-7-KT28](#) [FPB33588](#) [R30A1B](#) [RF400A3B](#) [1321970](#) [1322970CH](#) [1320972](#) [1331955](#) [1332270](#) [1332360](#) [1332554CH](#) [1333280CH](#) [1333575CH](#)