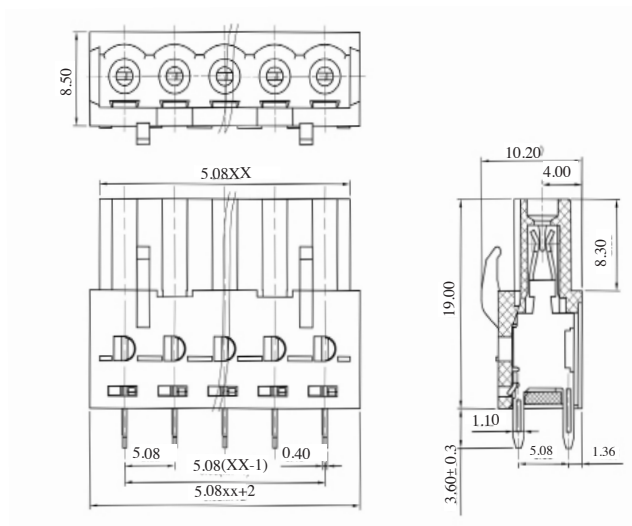


CAMBLOCK PLUS

PCB
TERMINAL
BLOCKS

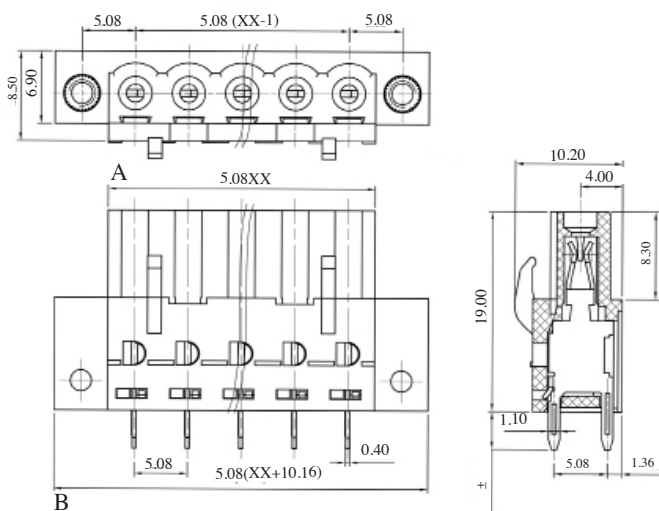
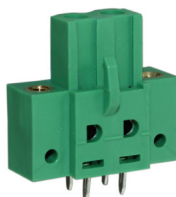
PCB Mounting Female Vertical Connector

TYPE NO.	POLES	LENGTH	CTBP97VJ
CTBP97VJ/2	2	12.2mm	
CTBP97VJ/3	3	17.2mm	
CTBP97VJ/4	4	22.3mm	
CTBP97VJ/5	5	27.4mm	
CTBP97VJ/6	6	32.5mm	
CTBP97VJ/7	7	37.6mm	
CTBP97VJ/8	8	42.6mm	
CTBP97VJ/9	9	47.7mm	
CTBP97VJ/10	10	52.8mm	
CTBP97VJ/11	11	57.9mm	
CTBP97VJ/12	12	63.0mm	



PCB Mounting Female Vertical Connector, Flanged

TYPE NO.	POLES	LENGTH A	LENGTH B	CTBP97VJ/FL
CTBP97VJ/2FL	2	10.2mm	20.32mm	
CTBP97VJ/3FL	3	15.2mm	25.4mm	
CTBP97VJ/4FL	4	20.3mm	30.48mm	
CTBP97VJ/5FL	5	25.4mm	35.56mm	
CTBP97VJ/6FL	6	30.5mm	40.64mm	
CTBP97VJ/7FL	7	35.6mm	45.72mm	
CTBP97VJ/8FL	8	40.6mm	50.8mm	
CTBP97VJ/9FL	9	45.7mm	55.88mm	
CTBP97VJ/10FL	10	50.8mm	60.96mm	
CTBP97VJ/11FL	11	55.9mm	66.04mm	
CTBP97VJ/12FL	12	61.0mm	71.12mm	



X-ON Electronics

Largest Supplier of Electrical and Electronic Components

Click to view similar products for [camden manufacturer](#):

Other Similar products are found below :

[412689X](#) [CTBP92VE/12R](#) [CTBP9350/12](#) [IND515205-240-T/GRN](#) [IND515205-240-T/RD](#) [IND5032405-240-T/GRN](#) [CE10.00.EI](#)
[C192SHAND](#) [CNMB/6ST/2](#) [CNMB/4ST/2](#) [CSACST004](#) [CTBP9200/9](#) [CIME/M/BE2250SS](#) [CHH64E1BL](#) [CIM/15W-DMFS](#) [CHHBAT2GY](#)
[CFTBN/2](#) [CCB2S1/04](#) [CHDX6-221C](#) [CHDX8-224](#) [CHDASMP29](#) [CHDASMP34](#) [CHDX810DD](#) [CHDX811DD](#) [CCTTM40LR](#)
[CTBP92VJ/5S](#) [CTBP92VJ/8R](#) [CTSN431/12/M](#) [CTSN433/12/M](#) [CUABOX006](#) [CE10.00.FM](#) [CBRPH-BLK](#) [BIM2003/13-WH/WH](#)
[RX2008/S-5-WH](#) [CBARD-CAR](#) [CRDCG0007](#) [CNMB/4/KIT](#) [CTB5050/5](#) [CTBP92HE/11](#) [CTBP9358/10AO](#) [CHH66C2GY](#) [CHH456PBK](#)
[CHH451ABK](#) [CIM/9W-DMFS](#) [CIM/25W-DMFS](#) [RTM5006/16-NC-BLK](#) [IND5032405-125-T/AMB](#) [CCB1S1/03](#) [CCD2S1/04](#) [CCE1S1/05](#)