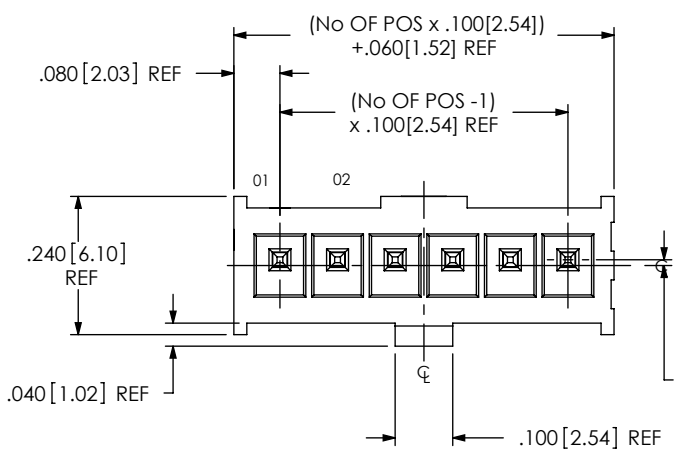


DO NOT SCALE FROM THIS PRINT



IPL1-1XX-XX-XXX-S-XX-X

**No OF POSITIONS**  
-02 THRU -25

**LEAD STYLE**  
-01: THROUGH HOLE (USE T-1S64-XX-XX)  
-02: SURFACE MOUNT (SEE FIG. 2, SHT 2) (USE T-1S64-XX-XX)

**POLARIZATION OPTION**  
-K: KEYED POLARIZATION (USE IPL1-XX-S-K) (SEE FIG. 4, SHEET 3) (LEAVE BLANK FOR NO POLARIZATION, SAMTEC WILL ONLY SUPPORT EXISTING BUSINESS AS OF REV J)

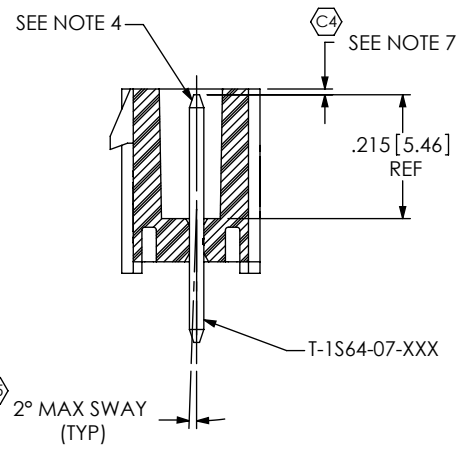
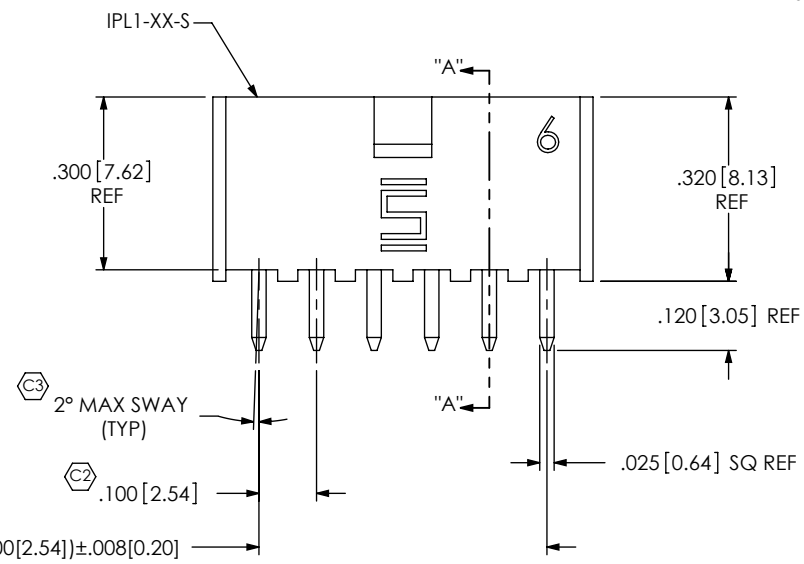
**OPTION**  
-RA: RIGHT ANGLE (SEE FIG. 3, SHT 3) (AVAILABLE WITH -01 LEAD STYLE ONLY)

**ROW SPECIFICATION**  
-S: SINGLE (USE IPL1-XX-S)

.010 [0.25] REF  
TERMINAL OFFSET FOR POLARIZATION

**PLATING SPECIFICATION**  
-F: FLASH SELECTIVE (USE T-1S64-XX-F)  
-L: LIGHT SELECTIVE (USE T-1S64-XX-L)  
-S: SELECTIVE (USE T-1S64-XX-S)  
-H: HEAVY GOLD (USE T-1S64-XX-H)  
-FM: FLASH SELECTIVE/MATTE TIN TAILS (USE T-1S64-XX-F)  
-LM: LIGHT SELECTIVE/MATTE TIN TAILS (USE T-1S64-XX-L)  
-SM: SELECTIVE/MATTE TIN TAILS (USE T-1S64-XX-S)  
-STL: LIGHT SELECTIVE TIN/LEAD (USE T-1S64-XX-STL)

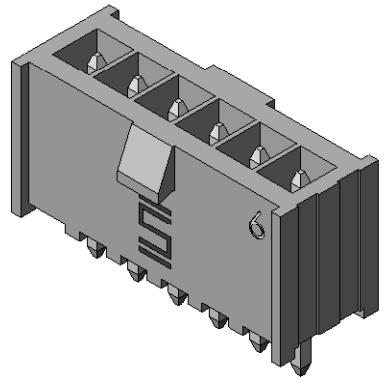
FIG. 1  
IPL1-106-01-XXX-S SHOWN



SECTION "A"-"A"

TABLE 1

LEAD STYLE	OPTION	TERMINAL 1	OAL REF
-01	NONE	T-1S64-07-XX	.430 [10.92]
-01	-RA	T-1S64-19-XX	.545 [13.84]
-02	NONE	T-1S64-08-XX	.445 [11.30]



- NOTES:
1. Ⓢ REPRESENTS A CRITICAL DIMENSION.
  2. MINIMUM TERMINAL RETENTION: 1 LB [4.45 N].
  3. PARTS TO BE MOLDED TO POSITION.
  4. POST MUST BE WITHIN .005 [0.13] OF EACH OTHER.
  5. ALL PIN TO PIN DIMENSIONS TO BE MEASURED FROM TIP TO TIP.
  6. DIMENSION TO BE MEASURED AT BEND.
  7. TIP TO BE FLUSH TO .015 [0.38] BELOW TOP OF SHROUD.
  8. NOTE DELETED.
  9. PACKAGE ALL POSITIONS.

UNLESS OTHERWISE SPECIFIED, DIMENSIONS ARE IN INCHES.  
TOLERANCES ARE:  
DECIMALS ANGLES  
.XX: ±.01 [0.3] ± 2°  
.XXX: ±.005 [0.13]  
.XXXX: ±.0020 [0.051]

**PROPRIETARY NOTE**  
THIS DOCUMENT CONTAINS INFORMATION CONFIDENTIAL AND PROPRIETARY TO SAMTEC, INC. AND SHALL NOT BE REPRODUCED OR TRANSFERRED TO OTHER DOCUMENTS OR DISCLOSED TO OTHERS OR USED FOR ANY PURPOSE OTHER THAN THAT WHICH IT WAS OBTAINED WITHOUT THE EXPRESSED WRITTEN CONSENT OF SAMTEC, INC.



<b>MATERIAL:</b> STANDARD INSULATOR: LCP, COLOR: BLACK -K INSULATOR: LCP, COLOR: NATURAL TERMINAL: PHOS BRONZE	DO NOT SCALE DRAWING SHEET SCALE: 3:1	<b>DESCRIPTION:</b> .100 [2.54] SINGLE ROW TERMINAL ASSEMBLY
F:\DWG\MISC\MKTG\IPL1-1XX-XX-XXX-S-XX-X-MKT.SLDDRW		DWG. NO. <b>IPL1-1XX-XX-XXX-S-XX-X</b>
		BY: D PURVIS 05/02/2005 SHEET 1 OF 3

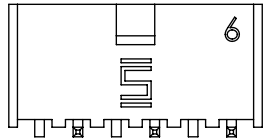
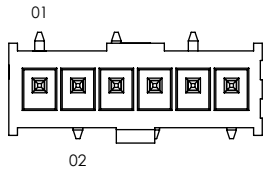
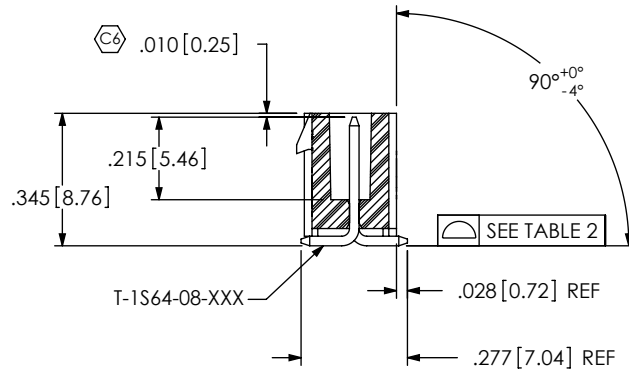


FIG. 2  
 STYLE -02: SURFACE MOUNT  
 IPL1-106-02-XXX-S SHOWN  
 [DIFFERENT AS SHOWN, OTHERWISE SAME AS FIG. 1]



-02: SURFACE MOUNT IN-PROCESS 1

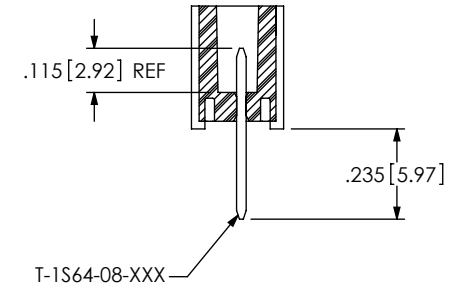
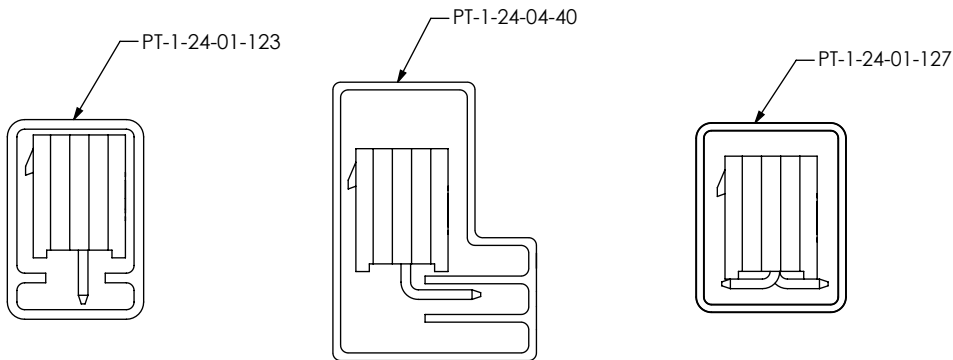


TABLE 2

No OF POS.	COPLANARITY
-02 THRU -05	.004[0.10]
-06 THRU -10	.005[0.13]

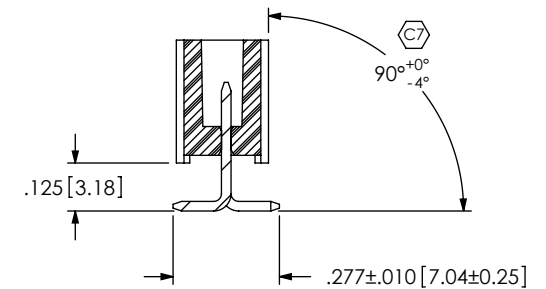
PACKAGING VIEWS  
 (PARTS TO HAVE POSITION #1 LOADED  
 IN SAME DIRECTION AS ARROW ON TUBE)



PACKAGING TABLE

LEAD STYLE	OPTION	PACKAGING TUBE	PLUG
-01	NONE	PT-1-24-01-123	TP-09
-01	-RA	PT-1-24-04-40	TP-07
-02	NONE	PT-1-24-01-127	TP-07

-02: SURFACE MOUNT IN-PROCESS 2



F:\DWG\MISC\MKTG\IPL1-1XX-XX-XXX-S-XX-X-MKT.SLDDRW

PROPRIETARY NOTE  
 THIS DOCUMENT CONTAINS INFORMATION  
 CONFIDENTIAL AND PROPRIETARY TO  
 SAMTEC, INC. AND SHALL NOT BE REPRODUCED  
 OR TRANSFERRED TO OTHER DOCUMENTS OR  
 DISCLOSED TO OTHERS OR USED FOR ANY  
 PURPOSE OTHER THAN THAT WHICH IT WAS  
 OBTAINED WITHOUT THE EXPRESSED WRITTEN  
 CONSENT OF SAMTEC, INC.

DO NOT SCALE DRAWING

SHEET SCALE: 2:1

**samtec**

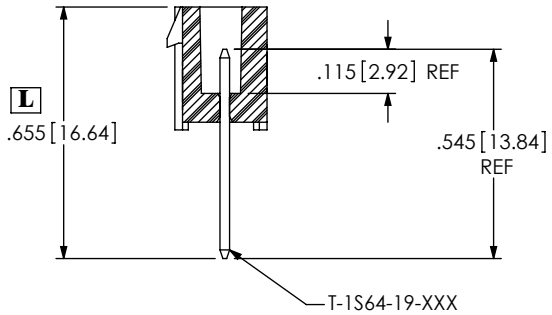
520 PARK EAST BLVD, NEW ALBANY, IN 47150  
 PHONE: 812-944-6733 FAX: 812-948-5047  
 e-Mail: info@SAMTEC.com code: 55322

DESCRIPTION:  
 .100[2.54] SINGLE ROW TERMINAL ASSEMBLY

DWG. NO.  
**IPL1-1XX-XX-XXX-S-XX-X**

BY: D PURVIS 05/02/2005 SHEET 2 OF 3

-RA: IN-PROCESS 1



-RA: IN-PROCESS 2

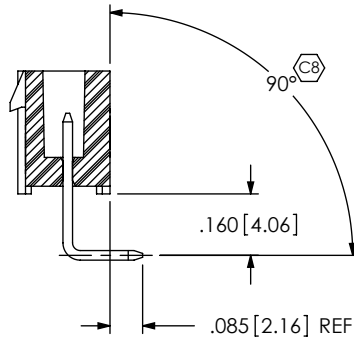


FIG. 4  
-K: KEYED POLARIZATION  
(IPL1-106-01-XXX-S-K SHOWN)  
(SAME AS FIG. 1 UNLESS OTHERWISE STATED)

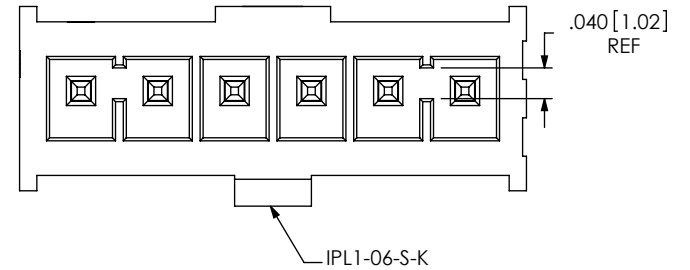
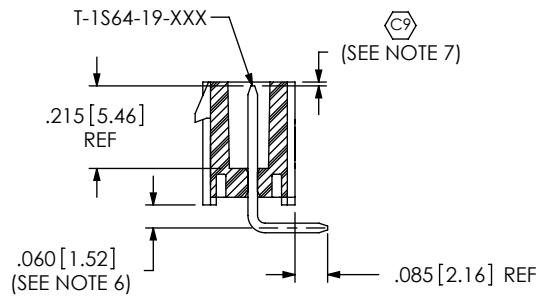
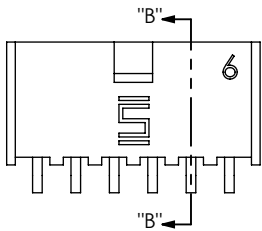
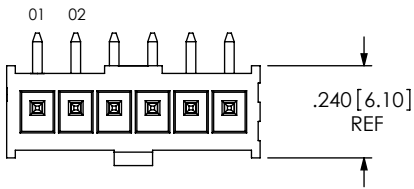


FIG. 3

-RA: RIGHT ANGLE  
IPL1-106-01-XXX-S-RA SHOWN  
[DIFFERENT AS SHOWN, OTHERWISE SAME AS FIG. 1]



SECTION "B"- "B"

PROPRIETARY NOTE  
THIS DOCUMENT CONTAINS INFORMATION  
CONFIDENTIAL AND PROPRIETARY TO  
SAMTEC, INC. AND SHALL NOT BE REPRODUCED  
OR TRANSFERRED TO OTHER DOCUMENTS OR  
DISCLOSED TO OTHERS OR USED FOR ANY  
PURPOSE OTHER THAN THAT WHICH IT WAS  
OBTAINED WITHOUT THE EXPRESSED WRITTEN  
CONSENT OF SAMTEC, INC.

DO NOT SCALE DRAWING

SHEET SCALE: 2:1

**samtec**

520 PARK EAST BLVD, NEW ALBANY, IN 47150  
PHONE: 812-944-6733 FAX: 812-948-5047  
e-Mail: info@SAMTEC.com code: 55322

DESCRIPTION:  
.100[2.54] SINGLE ROW TERMINAL ASSEMBLY

DWG. NO.  
IPL1-1XX-XX-XXX-S-XX-X

BY: D PURVIS 05/02/2005 SHEET 3 OF 3

## X-ON Electronics

Largest Supplier of Electrical and Electronic Components

*Click to view similar products for [samtec](#) manufacturer:*

Other Similar products are found below :

[MTMM-105-09-H-D-390](#) [YTW-20-07-H-6-520-110](#) [TW-10-08-H-D-616-107](#) [TW-15-08-H-D-600-080](#) [TW-30-08-H-D-616-107](#) [MTMM-108-05-H-D-220](#) [MTMM-120-06-H-D-180](#) [MTMM-103-05-H-D-220](#) [SSM-105-H-DV-A-P-TR](#) [ERCD-060-19.00-TEU-TBL-1-3](#) [SSQ-108-01-SM-S](#) [SSQ-105-01-SM-S](#) [ACD-185680-02](#) [ESQT-135-03-F-D-380](#) [FTSH-111-01-L-DV](#) [QTE-060-01-L-D-A](#) [MSAS-179-ZUGG-18](#) [MTMM-103-05-H-D-300](#) [MTMM-142-05-H-D-126](#) [MTSW-103-07-F-S-240](#) [MTSW-125-24-H-D-285](#) [ERF8-020-05.0-S-DV-K-TR](#) [IDMD-10-T-12.00-A-G-R](#) [IPL1-112-01-L-D-K](#) [IPL1-116-01-H-D](#) [SFM-107-02-S-D-LC](#) [SFML-115-01-S-D](#) [SFML-125-01-S-D](#) [LSHM-120-02.5-L-DV-A-N-K-TR](#) [ESQ-110-14-G-D](#) [ESQT-125-03-F-D-310](#) [ESQT-133-03-F-D-350](#) [SO-0515-01-01-02](#) [SQW-120-01-F-D-VS-A](#) [FJH-50-D-12.00-4](#) [CES-150-01-T-D](#) [QFS-052-01-SL-D-RA](#) [QTE-040-04-L-D-A](#) [QTH-020-04-F-D-DP-A-K-TR](#) [QTH-060-01-F-D-A](#) [QTH-090-04-L-D-A](#) [TCSD-10-S-05.00-01-F-N](#) [TFM-110-02-S-D](#) [TFM-115-02-L-DH](#) [TFM-120-12-S-D-LC](#) [TFML-140-02-S-D](#) [TLW-107-05-G-D](#) [BDL-136-T-E](#) [TSS-132-01-G-S](#) [TST-113-04-S-D-RA](#)