

# CLA

## LED Light Bar



Daylight, Amber  
Natural White



IP66G/67G/69K



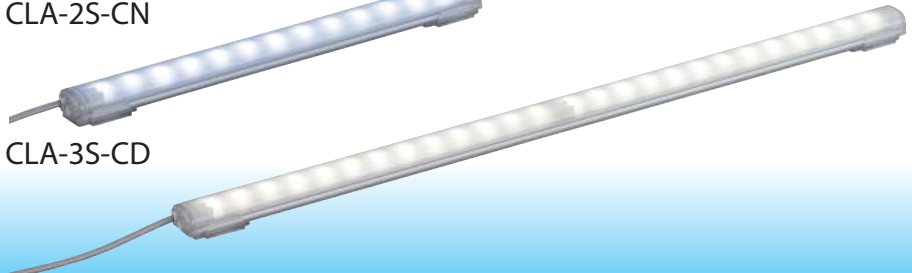
CLA-1S-Y



CLA-2S-CN



CLA-3S-CD



CLA-6S-CN

**More than a diffusion LED light bar, it can be used in places like the food-processing industry with its protection rating of "IP69K", which can endure high-pressurized hot water washing.**

- Bright, long lasting LED's.
- Suitable for food, beverage and pharmaceutical applications where high-pressure, 80°C high-temperature wash-downs are required. Also meets IP66/67 standards.
- The radiating temperature is reduced to 40 degrees or less (34% reduction in comparison to a 20W fluorescent light), increasing environmental efficiency.
- Seven lengths in the range from 100 to 1500mm to choose from, with three colors (Daylight, Natural White, Amber), and four types of attachments, including a magnet one, offering a potential for various applications.
- The operating temperature range from -40°C to +60°C allows installation in sub-freezing temperatures, such as walk-in freezers.
- It is constructed with strong polycarbonate resin, which is resistant to shock.
- Corresponds to Europe's RoHS Directive.
- Obtained certification for ECOLAB.
- Conforms to CE requirements.
- UL Listed (File No. E306141).

## Lumionous Color

With a high-intensity illumination, it is suitable for applications such as lighting-up processing machinery workspace or video inspection systems to help highlight more details, etc.



A 6800K daylight light bar at a distance of 50 cm from the center of irradiation has measured a maximum brightness of 400lx.



CLA-CN (Natural White: 4800K)



CLA-CD (Daylight: 6800K)

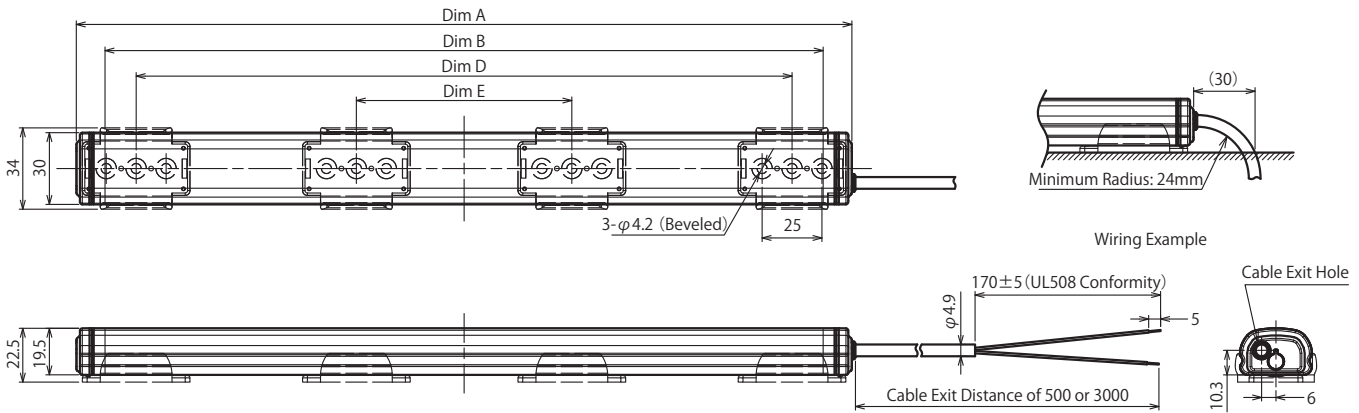


CLA-Y (Amber)

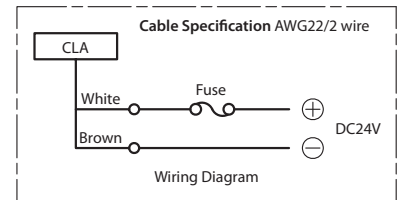
## How to Order

|  |                     |              |
|--|---------------------|--------------|
| <b>CLA1S-24-CD-30</b>                              |                     |              |
| Light Bar Length                                   |                     | Cable Length |
| 1 : 100mm  |                     | Blank : 0.5m |
| 2 : 200mm  |                     | 30 : 3.0m    |
| 3 : 300mm  | Luminous Color      |              |
| 6 : 600mm  | -CD (Daylight)      |              |
| 9 : 900mm  | -CN (Natural White) |              |
| 12 : 1,200mm                                       | -Y (Amber)          |              |
| 15 : 1,500mm                                       |                     |              |
| ※ -Y is only available in 100mm and 300mm lengths. |                     |              |

## Dimensions



| Model Name | Dim A        | Dim B         | Dim D          | Dim E | Standard Bracket SZ-310AR |
|------------|--------------|---------------|----------------|-------|---------------------------|
|            | Total Length | Lighting Area | Mounting Pitch |       |                           |
| CLA1S      | 124          | 100           | 74             | —     | 2 pcs.                    |
| CLA2S      | 224          | 200           | 174            | —     |                           |
| CLA3S      | 324          | 300           | 274            |       |                           |
| CLA6S      | 624          | 600           | 574            |       |                           |
| CLA9S      | 924          | 900           | 874            | 290   | 4 pcs.                    |
| CLA12S     | 1,224        | 1,200         | 1,174          | 390   |                           |
| CLA15S     | 1,524        | 1,500         | 1,474          | 490   |                           |



## Options



Standard

Rear Attachment  
(Screw Mount)  
Model SZ-310AR



Option

Rear Attachment  
(Magnetic Mount)  
Model SZ-310ARM



Option

Side Attachment  
(Screw Mount)  
Model SZ-310AS



Option

Side Attachment  
(CLB-24N Compatible)  
Model SZ-310ASB

## Specifications

| Model          | Luminous Color | Rated Voltage         | Vibration Resistance  | Operating Temperature Range       | Rated Current Consumption | Center Radiation (lx/50cm) | Main Body Material | Protection Rating | Mass |
|----------------|----------------|-----------------------|-----------------------|-----------------------------------|---------------------------|----------------------------|--------------------|-------------------|------|
| CLA1S -24 -CD  | Daylight       | DC 24V<br>(Polarized) | 19.6 m/s <sup>2</sup> | -40°C - +60°C<br>(RH 90% or less) | 104mA                     | 140                        | Polycarbonate      | IP66/67/69K       | 80g  |
| CLA1S -24 -CN  | Natural White  |                       |                       |                                   |                           | 78                         |                    |                   |      |
| CLA1S -24 -Y   | Amber          |                       |                       |                                   | 208mA                     | 270                        |                    |                   |      |
| CLA2S -24 -CD  | Daylight       |                       |                       |                                   |                           |                            |                    |                   |      |
| CLA2S -24 -CN  | Natural White  |                       |                       |                                   | 240mA                     | 400                        |                    |                   |      |
| CLA3S -24 -CD  | Daylight       |                       |                       |                                   |                           |                            |                    |                   |      |
| CLA3S -24 -CN  | Natural White  |                       |                       |                                   | 480mA                     | 650                        |                    |                   |      |
| CLA3S -24 -Y   | Amber          |                       |                       |                                   |                           |                            |                    |                   |      |
| CLA6S -24 -CD  | Daylight       |                       |                       |                                   | 720mA                     | 810                        |                    |                   |      |
| CLA6S -24 -CN  | Natural White  |                       |                       |                                   |                           |                            |                    |                   |      |
| CLA9S -24 -CD  | Daylight       |                       |                       |                                   | 960mA                     | 890                        |                    |                   |      |
| CLA9S -24 -CN  | Natural White  |                       |                       |                                   |                           |                            |                    |                   |      |
| CLA12S -24 -CD | Daylight       |                       |                       |                                   | 1,200mA                   | 945                        |                    |                   |      |
| CLA12S -24 -CN | Natural White  |                       |                       |                                   |                           |                            |                    |                   |      |
| CLA15S -24 -CD | Daylight       |                       |                       |                                   |                           |                            |                    |                   |      |
| CLA15S -24 -CN | Natural White  |                       |                       |                                   |                           |                            |                    |                   |      |

## **X-ON Electronics**

Largest Supplier of Electrical and Electronic Components

*Click to view similar products for [patlite](#) manufacturer:*

Other Similar products are found below :

[LR4-BU](#) [LR5-02PJNW](#) [LR5-102WJBW-Y](#) [LR5-102WJNW-R](#) [LR6-E-B](#) [NH-WST](#) [VSST-LR6-502LJBW-RYGBC](#) [LR4-302LJBW-RYG](#)  
[LR5-02WTNU](#) [VSST-LR6-302LJBW-RYG](#) [VSST-LR6-302LJNW-RYG](#) [MPS-302-RYG](#) [SZ-50L](#) [LR5-102WJNW-G](#) [LR6-02LJNW](#) [LR6-](#)  
[302LJNW-RYG](#) [LR6-302PJNW-RYG](#) [VSST-LR6-502LJNW-RYGBC](#) [LR6-02PJNW](#) [LR7-02WTNU](#) [BDV-15JF-K](#) [BSV-24P-W](#) [SZK-001U](#)  
[LR4-02QJNW](#) [LR4-02WJNW](#) [LR5-E-R](#) [CLA3S-24-CD](#) [LU7-E-B](#)