

Cool-LED Switchable LED DRIVERS 350/700mA and 500/1000mA

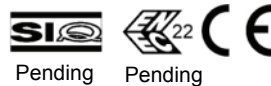
Cool-LED DRIVERS provide a high performance solution for powering high-brightness LED's from a mains supply. The power factor corrected, class II driver has fully-isolated, SELV output delivering up to 33W of power. The well regulated output current will typically power a series string of between 3 and 12 LEDs with a 1W to 3W rating up to a combined forward voltage of 48V.

High efficiency design ensures cool operation and long life. The compact enclosure is available in Integral (B) and Remote Mount (C) versions. Remote types feature screwless cable clamps for fast assembly. Cool-LED DRIVERS are open and short-circuit protected and have self-resetting over temperature trip.

Cool-LED DRIVERS feature a switch, accessible during installation, to select between full and half rated output current.

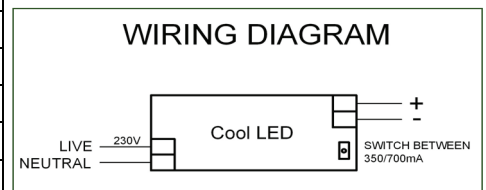
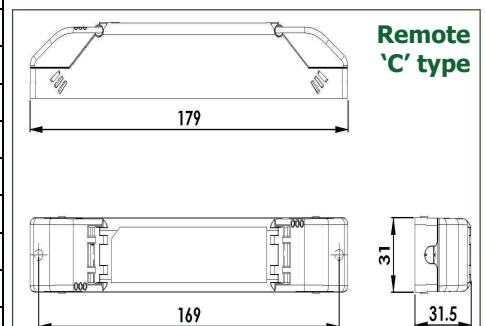
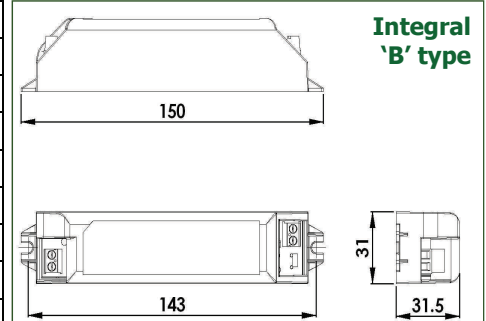
Consult the sales office for versions where the current level can be set by external switch or presence detector. These drivers include a "soft dim" feature to avoid sudden steps in LED brightness.

- Power factor corrected (0.98)
- Constant current output
- Switch-able between 350/700mA or 500/1000mA
- Self resetting Thermal Trip
- Double insulated (Class II)
- Screwless cable clamps for fast assembly
- Up to 89% efficient
- Surge protection up to 4kV
- IP40 rated enclosure
- Dimmable versions available
- SELV Isolation
- Made in UK
- Integral and Remote versions



Technical Specification

Parameter	CL700S-240-B or C	CL1000S-240-B or C
Mains input voltage range	198 to 265V ac rms	
Mains frequency	48 to 62Hz	
Power factor at full load	>0.95 (0.98 typical)	
Efficiency at full load	88% typical	
Mains surge protection	4kV common-mode 2kV differential	
Input-output isolation	4kV ac rms	
Ambient temperature range	-20°C to 50°C	
Maximum Tc temperature	80°C	
Humidity	95% max non-condensing	
Thermal trip	110°C self-resetting	
Maximum output power	33W	33W
Output current (switchable)	350mA & 700mA	500mA & 1000mA
Output current accuracy	±5%	±5%
LED string voltage	9V to 48V	9V to 48V (33V at 1000mA)
Typical no. of LEDs (1-3W)	3 to 12	3 to 12 (8 at 1000mA)
Open-circuit output voltage	55V maximum	
Enclosure	White polycarbonate UL94-V0 rated	
Dimensions	See diagrams for B and C types	
Terminal blocks	Rising clamp 5mm pitch	
Wire size	0.5 to 1.5mm ²	
Weight	120g	
Compliant standards	EN 61347-2-13 EN 6100-3-2 EN 6100-3-3 EN 61547 EN55015	



X-ON Electronics

Largest Supplier of Electrical and Electronic Components

Click to view similar products for [harvard](#) manufacturer:

Other Similar products are found below :

[Harvard](#)