

**FEATURES:**

Relative Clamping Force*	
Relative Retention Force*	
Relative Thermal Resistance*	
Relative Price	

\*For mechanical and thermal performance data see the Technical Applications section pages 77-94



**WEDGES**

**Material:**  
Aluminum Alloy  
6061-T6 QQ-A-200/8

**Finish:**  
See Finish table on opposite page

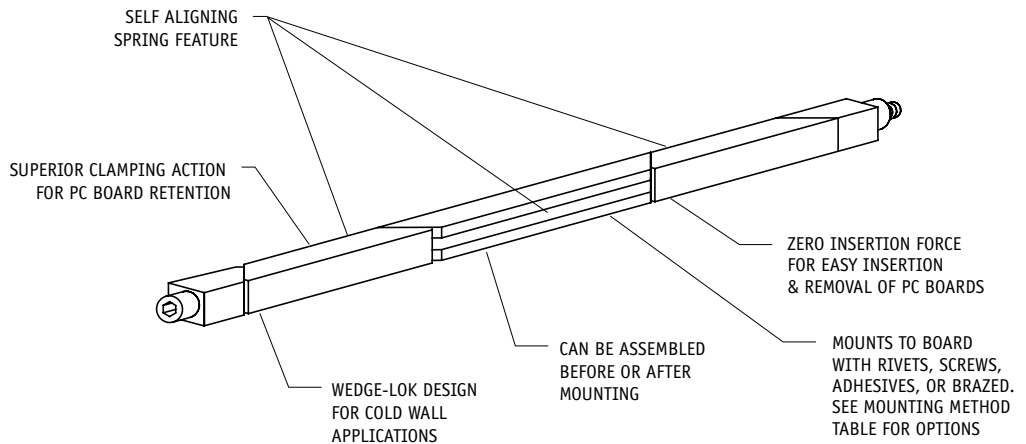
**DESIGNED FOR HEAVY SHOCK,  
VIBRATION & HEAT DISSIPATION**  
.225(5.72) X .260(6.60) PROFILE

**SCREW**

.09 in or 2.5 mm. socket head cap screw, depending on mounting configuration

**Material:**  
Stainless Steel  
SS-QQ-S-763, ASTM A 582

**Finish:**  
Passivate per MIL-S-5002



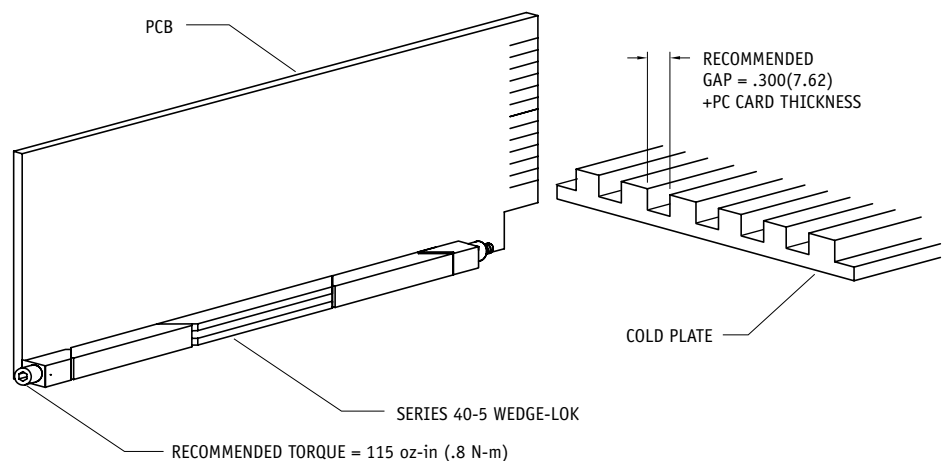
**ALIGNMENT SPRINGS**

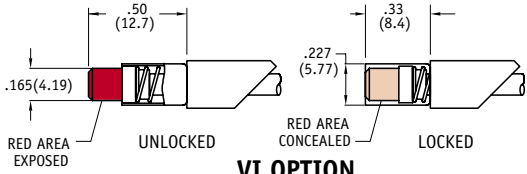
**Material:**  
Beryllium Copper QQ-C-533

**Finish:**  
Nickel QQ-N-290 Class I, Grade G, Bright

**WEIGHT**

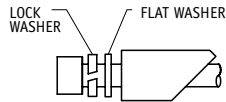
.104 oz/in  
(1.16 gm/cm)





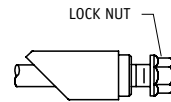
### VI OPTION

Indicates assembly is unlocked  
(adds .19 (4.8) to screw length)



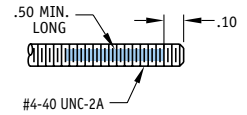
### LF OPTION

Provides additional resistance to shock and vibration (adds .06 (1.5) to screw length)



### LN OPTION

Captivates rear wedge when untorqued (adds .10 (2.5) to screw length)

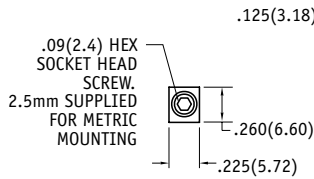
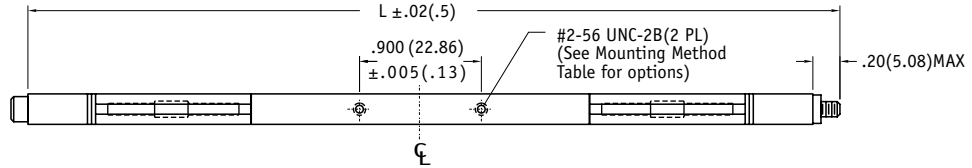


### L OPTION

Provides additional resistance to shock and vibration

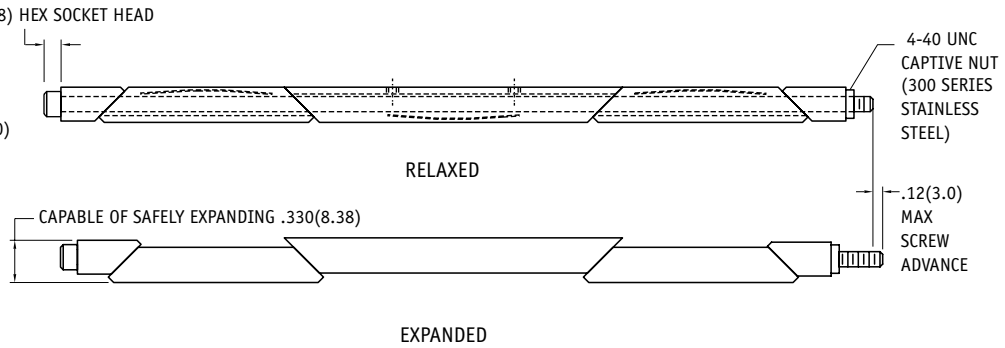
### MOUNTING HOLE LOCATION

.900 hole spacing centered on mounting body  
-10 thru -13 2 holes  
-14 thru -24 4 holes



**NOTE ON DIMENSIONS:**  
ENGLISH LISTED FIRST  
FOLLOWED BY METRIC  
IN PARENTHESES

**TOLERANCES:**  
UNLESS OTHERWISE SPECIFIED  
.XXX(.XX)=.01(.25)  
.XX(.X)=.02(.5)



### Part Number Code (See example below)

<b>Series 40-5 Wedge-Lok Five-piece</b>	40-5	x	-x	-x	-x	-x	-x
<b>Optional Visual Indicator</b>	Visual Indicator _____	VI	[Blank]	[Blank]	[Blank]	[Blank]	[Blank]
<b>Length</b>	In 1/2" increments _____	-10 (5") and up					
	In 12.7mm increments _____	-10 (127mm) and up					
<b>Finish</b>	Chem Film _____	[Blank]					
	or select code letter from Finish Table ① _____						
<b>Nuts and Washers</b>	Lock Washer and Flat Washer _____	LF	[Blank]				
	None _____	[Blank]					
	Lock Nut _____	LN	[Blank]				
	None _____	[Blank]					
<b>Mounting</b>	Standard 2-56 thread _____	[Blank]					
	or select code letter from Mounting Method Table ② _____						
<b>Lock Patch</b>	Lock Patch _____	L	[Blank]				
	None _____	[Blank]					

### Part Number Code example: 40-5-20-LF-LN-M

Series 40-5 Wedge-Lok Five-piece, 10 in (254mm) long, chem film finish, with Lock Washer and Flat Washer option and Lock Nut option, Screw M2.5 x .45 metric mounting.

### ① FINISH TABLE

Code Letter	Finish (see pg.9 for RoHS Compliance)
<b>NONE</b>	Chemical Film per MIL-C-5541, Class 1A, Gold, non RoHS compliant
<b>CC</b>	Chemical Film per MIL-C-5541, Class 1A, Clear
<b>EN</b>	Electroless Nickel per MIL-C-26074, Class 4, Grade B, Bright
<b>N</b>	Nickel Plate per QQ-N-290, Class 1, Grade G, Bright (.0002")
<b>B</b>	Black Anodize per MIL-A-8625, Type II, Class 2, (.00005" - .0003")
<b>B3</b>	Hard Black Anodize per MIL-A-8625, Type III, Class 2 (.002")
<b>B3D</b>	Hard Black Anodize with Dry Film Lube per MIL-L46010

### ② MOUNTING METHOD TABLE

Code Letter	Method
<b>NONE</b>	Screw #2-56 UNC-2B
<b>R</b>	Rivet Mount (Ø.067 (1.70) holes with counterbore and countersink)
<b>T</b>	Screw #0-80 UNF-2B
<b>M2</b>	Screw M2 x .40 metric
<b>M</b>	Screw M2.5 x .45 metric
<b>P</b>	Indexing Pins Ø.062 x .040" (two pins only)

Indexing pins (-P) and rivet (-R) parts are shipped unassembled. Center wedge is updated and unmarked for Indexing Pin (-P) method.

**FOR MECHANICAL AND THERMAL PERFORMANCE  
SEE THE TECHNICAL APPLICATIONS SECTION PAGES 77-94**

## **X-ON Electronics**

Largest Supplier of Electrical and Electronic Components

*Click to view similar products for [birtcher](#) manufacturer:*

Other Similar products are found below :

[24SX-3-11-3-R](#) [127B-2-10-3-R](#) [340L-100S-12C](#) [340R-100S-10C](#) [CCK-KIT-ZD](#) [24BX-2-10-3-L](#) [24BX-2-10-3-R](#) [35-1B-2-6-3](#) [40-5-10-LF-LN](#) [71-3-L](#) [340L-100S-08C](#) [40-8-LF](#)