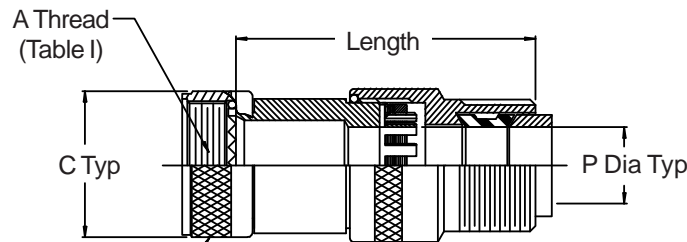
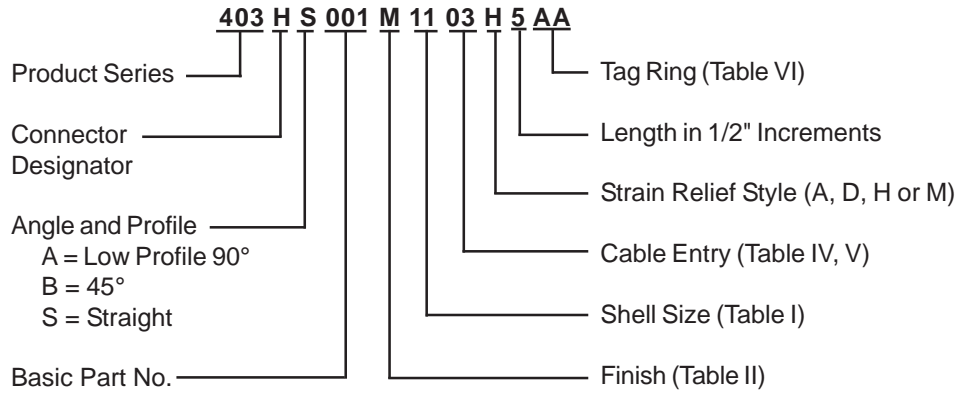
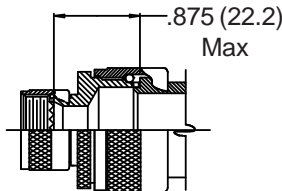


**CONNECTOR DESIGNATORS**  
**A-F-L-H**

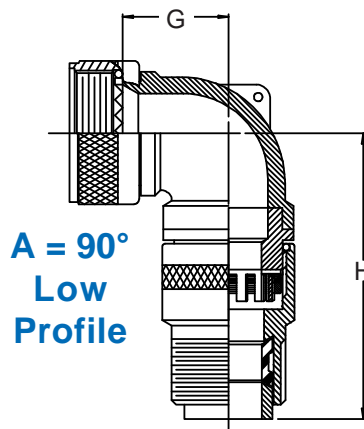
**ROTATABLE COUPLING**



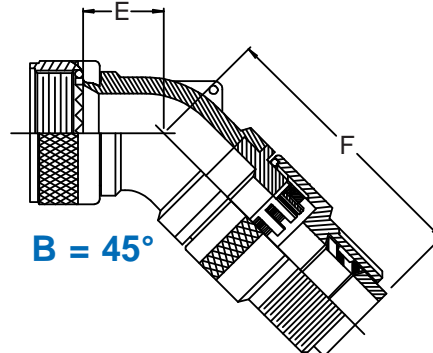
**S = Straight**



**Style II**

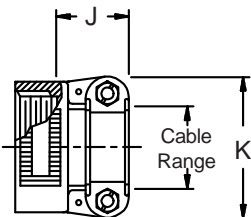


**A = 90°  
 Low Profile**

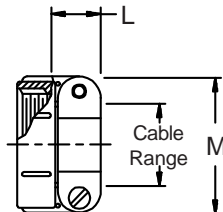


**B = 45°**

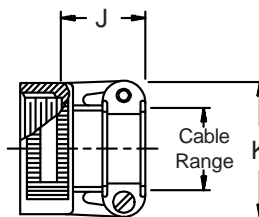
**STYLE H**  
 Heavy Duty  
 (Table IV)



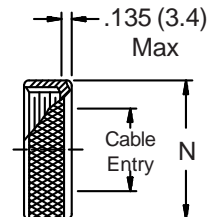
**STYLE A**  
 Medium Duty  
 (Table V)



**STYLE H**  
 Medium Duty  
 (Table IV)



**STYLE D**  
 Medium Duty  
 (Table V)



**403-001**  
**TAG® Ring Backshell**  
**Environmental**  
**Rotatable Coupling - Low Profile**



See inside back cover fold-out or pages 13 and 14 for Tables I and II.

**TABLE III: ELBOW DIMENSIONS**

Shell Size		Conn. Desig.		E	F	G	H		
A-F-L	H	Max		Max	Max	Max	Max		
08	09	.457	(19.1)	2.680	(68.1)	.500	(12.7)	2.680	(68.1)
10	11	.520	(20.6)	3.070	(78.0)	.595	(15.1)	2.800	(71.1)
12	13	.582	(22.1)	3.130	(79.5)	.610	(15.5)	3.160	(80.3)
14	15	.645	(23.4)	3.230	(82.0)	.700	(17.8)	3.230	(82.0)
16	17	.738	(24.9)	3.330	(84.6)	.885	(22.5)	3.230	(82.0)
18	19	.926	(25.9)	3.430	(87.1)	.975	(24.8)	3.560	(90.4)
20	21	.926	(27.4)	3.590	(91.2)	.975	(24.8)	3.560	(90.4)
22	23	1.020	(29.0)	3.720	(94.5)	1.125	(28.6)	3.650	(92.7)
24	25	1.020	(30.5)	3.720	(94.5)	1.125	(28.6)	3.650	(92.7)
28		1.145	(19.1)	3.890	(98.8)	1.225	(31.1)	3.940	(100.1)
32		1.207	(30.7)	3.990	(101.3)	1.575	(40.0)	4.190	(106.4)
36		1.238	(31.4)	4.080	(103.6)	1.775	(45.1)	4.190	(106.4)

**TABLE IV: CABLE ENTRY**

Dash No.	J	K	Cable Range	
	Max	Max	Min	Max
04	.780 (19.8)	.957 (24.3)	.125 (3.2)	.312 (7.9)
06	.780 (19.8)	1.145 (29.1)	.250 (6.4)	.437 (11.1)
08	.780 (19.8)	1.332 (33.8)	.312 (7.9)	.562 (14.3)
10	.780 (19.8)	1.332 (33.8)	.350 (8.9)	.625 (15.9)
12	.811 (20.6)	1.551 (39.4)	.500 (12.7)	.750 (19.1)
16	.905 (23.0)	1.770 (45.0)	.625 (15.9)	.937 (23.8)
20	1.092 (27.7)	2.113 (53.7)	.875 (22.2)	1.250 (31.8)
24	1.124 (28.5)	2.363 (60.0)	1.000 (25.4)	1.375 (34.9)
28	1.399 (35.5)	2.770 (70.4)	1.250 (31.8)	1.625 (41.3)
32	1.399 (35.5)	3.020 (76.7)	1.437 (36.5)	1.875 (47.6)

**TABLE VI: CLAMP**

Sym	Size	P Dia	Max Clamp
AA	2	.250 (6.4)	08
A	3	.357 (9.1)	10
B	4	.500 (12.7)	12
C	5	.625 (15.9)	16
D	6	.750 (19.1)	20
E	7	.875 (22.2)	20
F	8	1.000 (25.4)	24
G	9	1.125 (28.6)	28
H	10	1.250 (31.8)	32
J	11	1.375 (34.9)	40

**TABLE V: CABLE ENTRY**

Dash No.	L	M	N	Cable Range	
	Max	Max	Max	Min	Max
03	.760 (19.3)	.843 (21.4)	.630 (16.0)	.156 (4.0)	.250 (6.4)
04	.760 (19.3)	.906 (23.0)	.755 (19.2)	.188 (4.8)	.312 (7.9)
06	.760 (19.3)	1.093 (27.8)	.942 (23.9)	.281 (7.1)	.438 (11.1)
08	.760 (19.3)	1.187 (30.1)	1.067 (27.1)	.344 (8.7)	.562 (14.3)
10	.760 (19.3)	1.281 (32.5)	1.192 (30.3)	.375 (9.5)	.625 (15.9)
12	.760 (19.3)	1.500 (38.1)	1.380 (35.1)	.438 (11.1)	.750 (19.1)
16	1.073 (27.3)	1.719 (43.7)	1.535 (39.0)	.562 (14.3)	.938 (23.8)
20	1.323 (33.6)	2.062 (52.4)	1.848 (46.9)	.750 (19.1)	1.250 (31.8)
24	1.323 (33.6)	2.312 (58.7)	2.255 (57.3)	.781 (19.8)	1.375 (34.9)
28	1.572 (39.9)	2.719 (69.1)	2.505 (63.5)	.969 (24.6)	1.625 (41.3)
32	1.572 (39.9)	2.969 (75.4)	2.755 (70.0)	1.125 (28.6)	1.875 (47.6)
40	1.572 (39.9)	2.531 (64.3)	3.255 (82.7)	1.469 (37.3)	2.375 (60.3)

- Standard minimum length for Style I is 2.5 inches, and for Style II is 3 inches. For shorter length, consult factory. (Applies to Straight configuration only).
- Metric dimensions (mm) are indicated in parentheses.
- When maximum cable range (Table III) is exceeded, Style II will be supplied. Note: E, F, G and H do not apply to Style II.
- Cable range is defined as the accommodations range for the wire bundle or cable. Dimensions shown are not intended for inspection criteria.

## X-ON Electronics

Largest Supplier of Electrical and Electronic Components

*Click to view similar products for [Circular MIL Spec Backshells](#) category:*

*Click to view products by [Glenair](#) manufacturer:*

Other Similar products are found below :

[5M2919-3DW](#) [5M2920-3CW](#) [5M2953-1HW](#) [60-036152-022](#) [610HS012M15](#) [M28840/504WA](#) [M28840/805WB](#) [M28840/809WA](#)  
[M28840/815WA](#) [M28840/816WA](#) [627AS017M14](#) [62GB5851608S](#) [655HS002NF11](#) [CW3703-000](#) [CW3899-000](#) [M85049/10-134S](#)  
[M85049/10-17S](#) [M85049/10-33S](#) [M85049/10-94W](#) [M85049/11-09W](#) [M85049/11-28N](#) [M85049/11-37N](#) [M85049/11-53N](#) [M85049/11-63N](#)  
[M85049/118-20W](#) [M85049/124-23W](#) [M85049/124S09W](#) [M85049/126S23W](#) [M850491712W02](#) [M85049/1720N04B](#) [M85049/1817N06](#)  
[M850491819W03](#) [M85049/1821W05C](#) [M85049/1825W06C](#) [M85049/1919N05](#) [M85049/1919W04](#) [M850491919W07](#) [M85049/23-59W](#)  
[M85049/23-74W](#) [M8504924-5W](#) [M85049/24-71N](#) [M85049/25-47N](#) [M85049/25-94W](#) [M85049/27S12N](#) [M8504938-13S](#) [M85049/38-19S](#)  
[M85049/39-11S](#) [M85049/39-17S](#) [M85049/39-9S](#) [M85049/3W4A2](#)