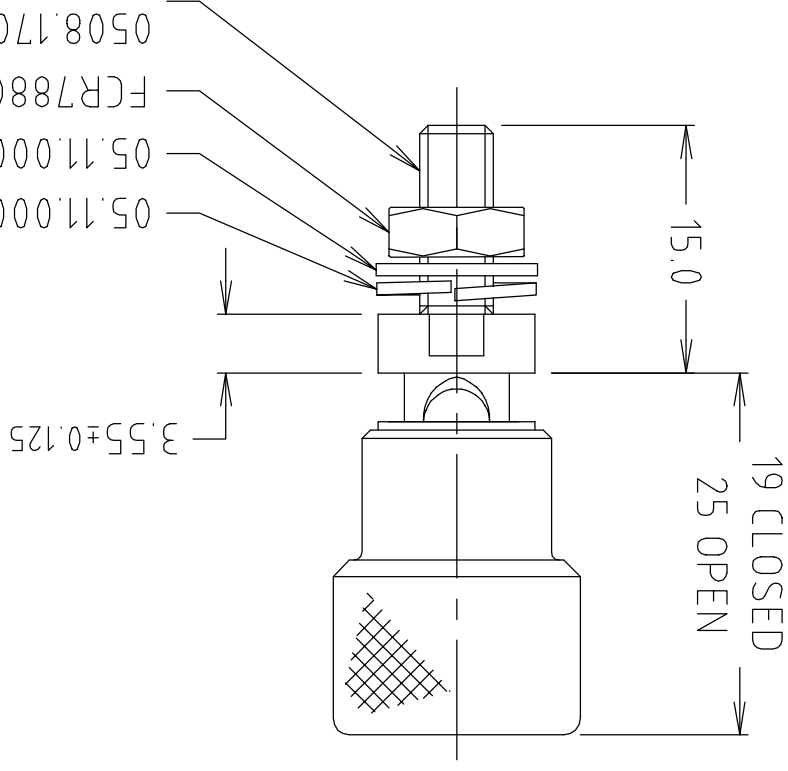


Cliff Electronic Components Ltd.
 76 Holmehorpe Avenue, Holmehorpe Industrial Estate,
 Redhill, Surrey, RH1 2PF, England, UK
 Tel: 01737-771375 Fax: 01737-766012 Website: www.cliffuk.co.uk
 © 1999

TO A 3rd PARTY WITHOUT WRITTEN PERMISSION OF CLIFF UK.
 DRAWN: C.A.M.J. APPROVED: R.W.T.
 FINISH: GOLD FLASH / SPARKED TO 32 VDI
 MATERIAL: BRASS / NYLON 6
 TITLE: HI FI TERMINAL TP/6CS
 DRWG. No. **CL2160**
 FORM: A4RWGH

ALL ITEMS 1x PER KIT.
 SUPPLIED UNASSEMBLED AS A KIT OF PARTS
 CURRENT RATING: 30A



05.11.0006.87 - SPRING WASHER
 05.11.0002.53 - PLAIN WASHER
 FCR7880SA7 - NUT
 0508.1701.52 - SPINDLE ASSEMBLY
 10x32 UNF THREAD

RED OR BLACK COLOURED INSERT ASSEMBLED.
 Ø6.80 STANDARD OR Ø3.60 'Y' TYPE
 CENTRE HOLE SEE TABLE

VARIANTS			
PART NUMBER	USES	INSERT COLOUR	INSERT HOLE TYPE
CL2160B	FCR7916B	BLACK	Ø6.80 STANDARD
CL2160R	FCR7916R	RED	Ø6.80 STANDARD
CL2160BY	FCR7915B	BLACK	Ø3.60 Y TYPE
CL2160RY	FCR7915R	RED	Ø3.60 Y TYPE

ROHS COMPLIANT

TOLERANCE
 NO DEC. PLACE ± 0.50
 1 DEC. PLACE ± 0.20
 2 DEC. PLACE ± 0.10
 HOLE Ø ± 0.10
 ANGLES ± 1/2°
 UNLESS OTHERWISE STATED

DO NOT SCALE

3rd ANGLE PROJECTION:
 1ST DRAWN: 4/2/99

ISS.	AMEND	DATE
4	RATING ADDED	02/10/15
3	UPDATED	16/11/12
2	ISSUED	15/03/99
1	WAS CL2160B	18/02/05

X-ON Electronics

Largest Supplier of Electrical and Electronic Components

Click to view similar products for [Test Sockets](#) category:

Click to view products by [Cliff](#) manufacturer:

Other Similar products are found below :

[AXS-5032-04-02](#) [AXS-3225-04-06](#) [AXS-7050-04-12](#) [5662](#) [BP30-10-B](#) [BP30GNN-1 PKG](#) [BP30-10Y-1 PKG](#) [AXS-7050-04-01](#) [AXS-5032-04-06](#) [AXS-2520-04-01](#) [AXS-5032-04-04](#) [930308101](#) [931714101](#) [15.0084-21](#) [563-0500](#) [20.1020-21](#) [20-313137](#) [20-313139](#) [20-313144](#) [20-313140](#) [20-313143](#) [22.1042](#) [+ 22.2370-22](#) [23.1010-23, 24, 25, 26, 27](#) [24.0160-1+25.0035](#) [24.0160-4+25.0035](#) [24.116-22](#) [5281](#) [5279](#) [450-3704-01-06-00](#) [AXS-3225-04-04](#) [AXS-3225-04-10](#) [AXS-7550-06-03](#) [AXS-7550-06-05](#) [269RB](#) [2713BB](#) [BP30BN-1 PKG](#) [BP30RN-1 PKG](#) [571-0200](#) [450-3422-01-06-00](#) [450-3888-01-04-00](#) [BP30GP10](#) [571-0400](#) [571-0600](#) [66.9131-23](#) [66.9427-22](#) [BP21-2BRN-B PKG](#) [930058104](#) [930103102](#) [930103188](#) [930103700](#)